

CONTINUING PROJECTS

FOR

LAWRENCE CENTRAL HIGH SCHOOL

FOR THE

METROPOLITAN SCHOOL DISTRICT of LAWRENCE TOWNSHIP

MARION COUNTY, INDIANA

SHEET INDEX

CIVIL

- C7-1 REMOVAL PLAN
- C7-2 REMOVAL PLAN
- C8-1 SITE PLAN
- C8-2 SITE PLAN
- C8-3 SITE PLAN
- C8-4 SITE PLAN
- C9-1 EQUIPMENT PLAN AND DETAILS
- C9-2 DETAILS

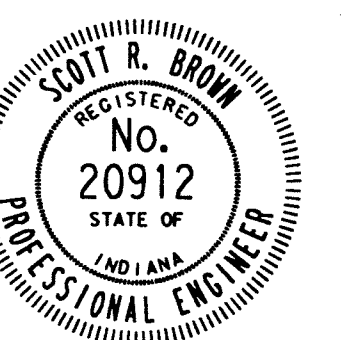
LANDSCAPE

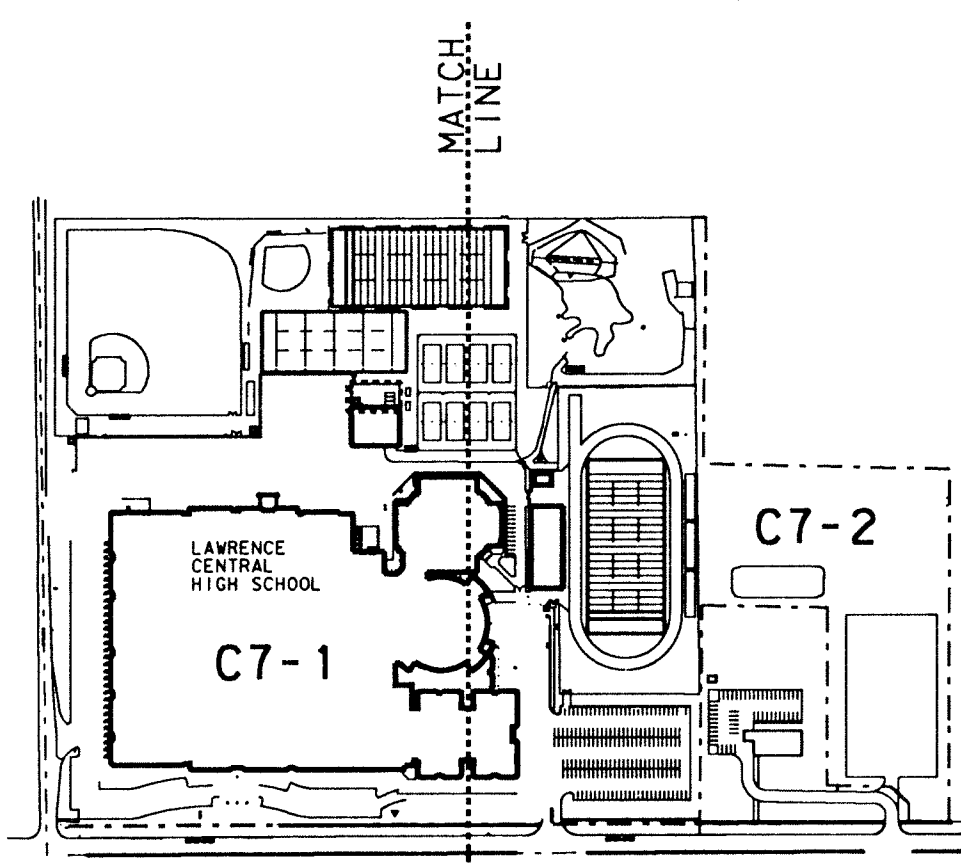
- L1-1 PLANTING DETAILS, LIST AND GENERAL NOTES
- L2-1 PLANTING PLAN
- L2-2 PLANTING PLAN
- L2-3 PLANTING PLAN
- L2-4 PLANTING PLAN

ELECTRICAL

- \*E0-1 ELECTRICAL SYMBOLS, SCHEDULES, DETAILS AND NOTES
- E2-3 PARTIAL SITE PLAN
- \*E3-2 UNIT "B" LIGHTING PLAN
- \*E3-6 UNIT "F" LIGHTING PLAN
- UNIT "F" MEZZANINE LIGHTING PLAN
- \*E3-7 UNIT "G" BASEMENT LIGHTING PLAN
- UNIT "G" BASEMENT POWER PLAN
- AUDITORIUM DISTRIBUTION DIAGRAM
- \*E3-8 UNIT "G" FIRST FLOOR LIGHTING PLAN
- \*E3-9 UNIT "G" SECOND FLOOR ELECTRICAL PLAN
- UNIT "G" MEZZANINE ELECTRICAL PLAN
- \*E3-10 UNIT "H" LIGHTING PLAN
- \*E3-11 UNIT "J" LIGHTING PLAN
- \*E3-13 UNIT "L" LIGHTING PLAN
- \*E3-14 UNIT "M" LIGHTING PLAN
- \*E3-15 UNIT "N" FIRST FLOOR LIGHTING PLAN
- UNIT "N" SECOND FLOOR LIGHTING PLAN
- \*E4-2 UNIT "B" POWER PLAN
- \*E4-4 UNIT "E" POWER PLAN
- \*E4-6 UNIT "G" FIRST FLOOR POWER PLAN
- \*E4-7 UNIT "H" POWER PLAN
- \*E4-8 UNIT "J" POWER PLAN
- \*E4-10 UNIT "L" POWER PLAN
- \*E4-11 UNIT "M" POWER PLAN
- \*E4-12 UNIT "N" FIRST FLOOR POWER PLAN
- UNIT "N" SECOND FLOOR POWER PLAN
- E6-3 SOUND DISTRIBUTION DIAGRAMS - MISCELLANEOUS
- E6-4 SOUND DISTRIBUTION DIAGRAMS - STUDIO/THEATER
- LARGE GROUP INSTRUCTION
- E6-5 SOUND DISTRIBUTION DIAGRAMS - AUDITORIUM

\* FOR INFORMATION ONLY - PREVIOUSLY BID IN ORIGINAL CONTRACT DOCUMENTS ISSUED DECEMBER 18, 1989





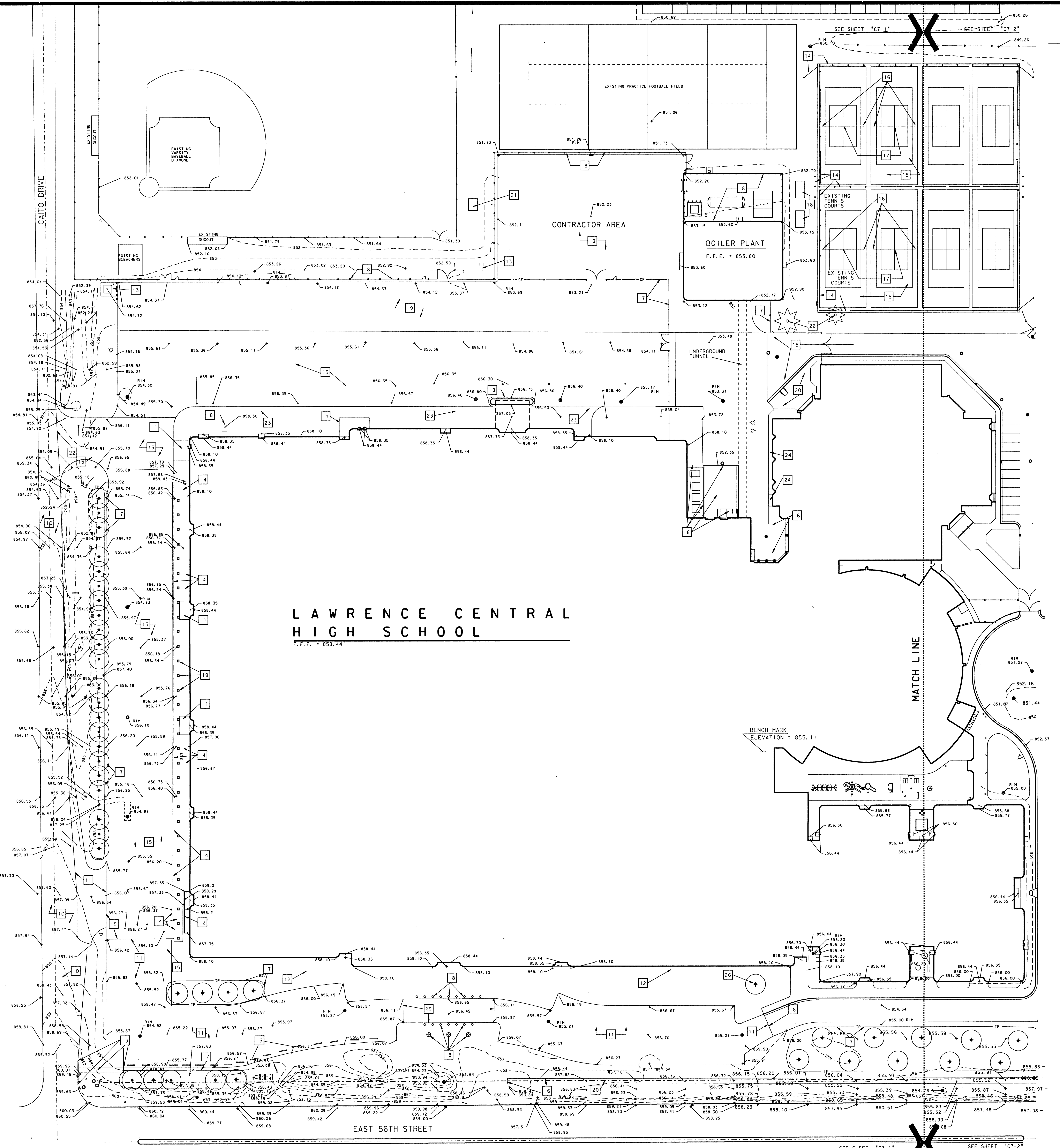
REMOVAL KEY PLAN

GENERAL NOTES:

- A. SEE SHEET C9-2 FOR LEGEND.
- B. DO NOT DISTURB IN ANY MANNER THE AREA ENCLOSED INSIDE THE TREE PROTECTION.
- C. REFER TO SHEET C1-1 FOR REMOVALS IN THIS AREA WHICH ARE NOT A PART OF THIS CONTRACT.
- D. SOIL BORING INFORMATION IS AVAILABLE FOR REVIEW IN THE FIELD OFFICE OF THE ARCHITECT.
- E. ALL WORK SHOWN ON THIS SHEET IS A PART OF CONTRACT #2 UNLESS NOTED OTHERWISE.

REMOVAL NOTES:

- 1 REMOVE RAMP, BINDER AND CONCRETE.
- 2 WALKS AT THIS ENTRY ARE NOT A PART OF THIS CONTRACT.
- 3 REMOVE CONCRETE SIDEWALK. REMOVE CURB TO NEAREST EXPANSION JOINT.
- 4 REMOVE CONCRETE WALK AND CURB.
- 5 REMOVE CONCRETE BARRIERS AND STORE FOR RELOCATION.
- 6 REMOVE CONCRETE WALK TO NEAREST JOINT.
- 7 CONSTRUCTION FENCE - NOT A PART OF THIS CONTRACT.
- 8 PREVIOUS CONSTRUCTION TO REMAIN UNDISTURBED.
- 9 EXISTING GRAVEL PARKING - REMOVE EXISTING GRAVEL AS REQUIRED TO PROVIDE MINIMUM THICKNESS BASE FOR NEW WORK AS SHOWN ON THE SITE PLANS.
- 10 EXISTING BITUMINOUS TO REMAIN.
- 11 EXISTING GRAVEL BASE AND BITUMINOUS BINDER TO REMAIN.
- 12 EXCAVATE SOIL TO 36" REMOVE SOIL FROM SITE.
- 13 EXISTING VAULT OR TRANSFORMER.
- 14 REMOVE EXISTING TO CHAIN LINK FENCE.
- 15 REMOVE EXISTING BITUMINOUS PAVING.
- 16 REMOVE EXISTING TENNIS NET SUPPORT POST.
- 17 REMOVE EXISTING TENNIS NET TIE DOWN ANCHOR.
- 18 MOVE PORTABLE BLEACHERS TO NEW LOCATION AS DIRECTED BY THE ARCHITECT.
- 19 CANOPY COLUMNS TO REMAIN UNDISTURBED, TYPICAL.
- 20 EXISTING CONCRETE SIDEWALK TO REMAIN UNDISTURBED.
- 21 REMOVE STORAGE SHED.
- 22 CUT BITUMINOUS TO THIS POINT.
- 23 REMOVE STONE BASE
- 24 REMOVE AND STORE MONOLITHIC PAVERS.
- 25 REMOVE EXISTING GRAVEL BASE AND BITUMINOUS BINDER.
- 26 REMOVE AND STUMP EXISTING TREE.

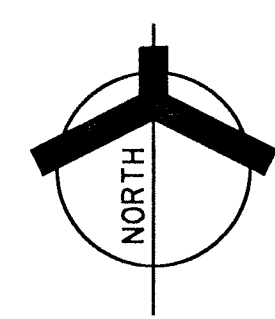


LAWRENCE CENTRAL HIGH SCHOOL

F.F.E. = 858.44'

REMOVAL PLAN - WEST

SCALE: 1" = 40'



SCHEDULE OF DRAWINGS

C7-1	REMOVAL PLAN - WEST
C7-2	REMOVAL PLAN - EAST
CB-1	SITE PLAN
CB-2	SITE PLAN
CB-3	SITE PLAN
CB-4	SITE PLAN
CS-1	EQUIPMENT DETAILS
CS-2	DETAILS AND SCHEDULE

CONTINUING ADDITION TO and RENOVATION OF  
**LAWRENCE CENTRAL HIGH SCHOOL**  
 for the METROPOLITAN SCHOOL DISTRICT of LAWRENCE TOWNSHIP  
 MARION COUNTY, INDIANA

**EVERETT I. BROWN Company**  
 Architects & Engineers  
 950 NORTH MERIDIAN STREET  
 INDIANAPOLIS, INDIANA 46204  
 (317) 237-1700



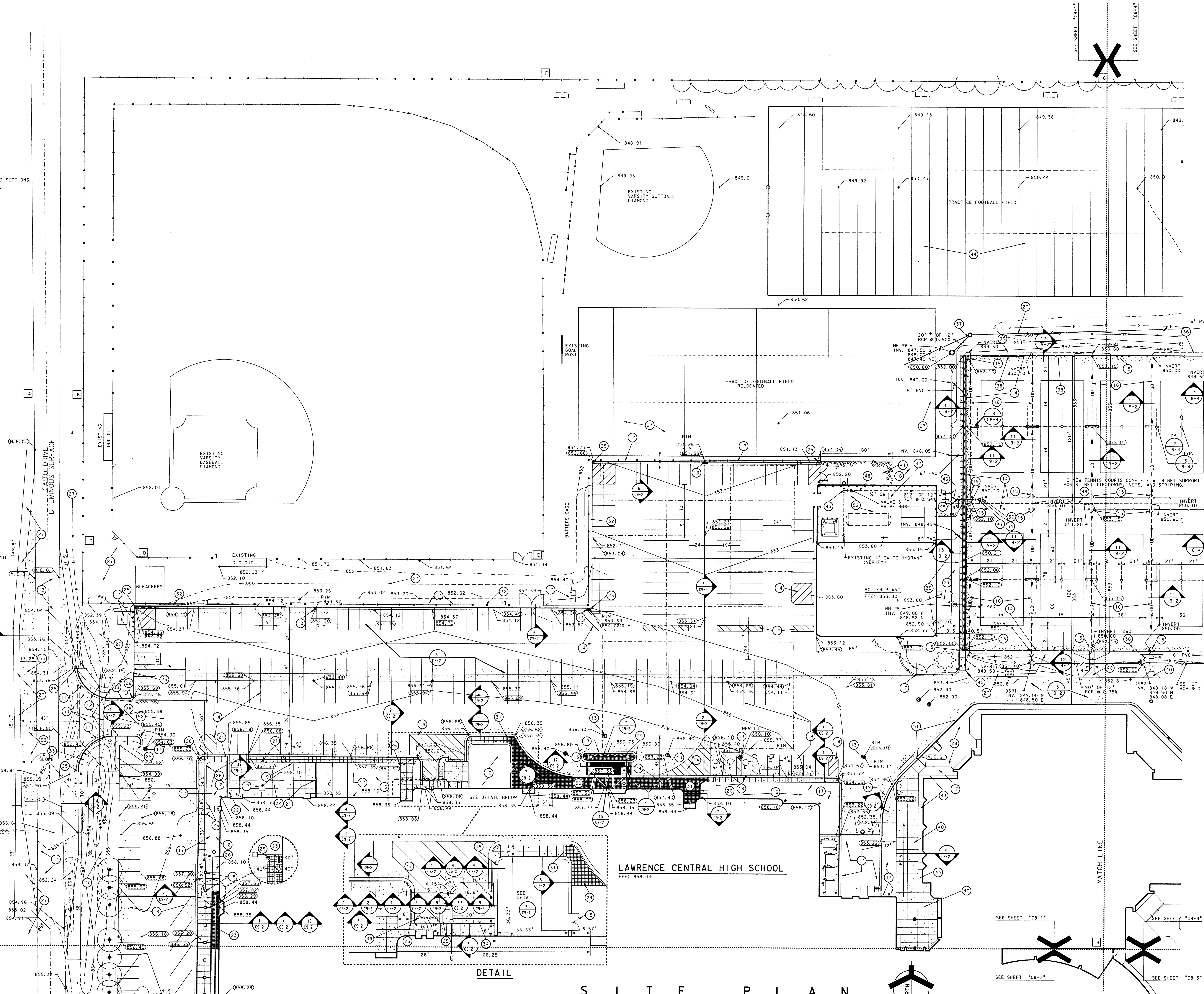
PROJECT  
 871-110  
 DATE  
 DEC. 18, 1989  
 REVISED  
 MAR. 21, 1991  
 NOV. 21, 1991

NO. C7-1  
 OF



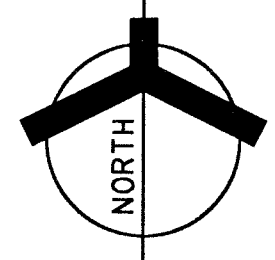
**NOTES:**

- 1 SEE SHEET C7-1 FOR SCHEDULE OF DRAWINGS.
- 2 ALL WORK SHOWN ON THIS SHEET IS A PART OF CONTRACT #2 UNLESS NOTED OTHERWISE.
- 3 EXISTING BITUMINOUS PAVING TO REMAIN.
- 4 PAINT STRIPING AS SHOWN. PARKING SPACES YELLOW. ALL OTHER STRIPING WHITE.
- 5 SEE GATE DETAIL 10/C9-2.
- 6 GRADE TO PROVIDE POSITIVE DRAINAGE AWAY FROM THE BUILDING.
- 7 PREVIOUS WORK WHICH IS NOT A PART OF THIS CONTRACT.
- 8 SEE DETAIL 5/C9-2 FOR JOINTS IN CONCRETE AT ALL POSTS, TYP.
- 9 EXPANSION JOINT.
- 10 SEE DETAIL 3/C9-1 FOR DAYCARE EQUIPMENT PLAN. (CONTRACT #2)
- 11 R=30.0'
- 12 75 FT. OF 12" CLASS 3 RCP CULVERT WITH PRECAST CONCRETE END SECTIONS.
- 13 RAISE RIM OF MANHOLE/CATCH BASIN.
- 14 10' PVC COATED CHAIN LINK FENCE. (CONTRACT #47)
- 15 3' GATE WITH TRANSOM. (CONTRACT #47)
- 16 4" PVC UNDERDRAIN.
- 17 EXCAVATE 36" SOIL. REPLACE WITH 36" OF TOPSOIL FROM STOCKPILE. REMOVE EXCAVATED MATERIAL FROM SITE.
- 18 HANDICAP PARKING SIGN.
- 19 STEP WALL DOWN HERE-FROM DETAIL 9/C9-2 TO DETAIL 8/C9-2.
- 20 PVC PAVER EDGE.
- 21 METAL PANEL ENCLOSURE WITH SLIDING GATE. DETAIL 16/9-2.
- 22 CONCRETE CURB. DETAIL 1/C9-2. MODIFIED: TOP OF CURB 10" WIDE. INSTALL METAL PANEL ENCLOSURE IN TOP OF CURB.
- 23 PAVER STAIRS. DETAIL 18/C9-2.
- 24 WORK ON THIS SHEET IS ENCLOSED BY AREA DESIGNATORS A, B, C, D, E, G, H, I.
- 25 TAPER CURB TO 1" IN THE LAST 5'.
- 26 R = 5' TYPICAL.
- 27 FINISH GRADE AND TOPSOIL.
- 28 EXISTING SIDEWALK TO REMAIN.
- 29 8" x 8" CONCRETE PAVERS. CHARCOAL PAVERS. STACKED BOND.
- 30 6" x 6" CONCRETE PAVERS. CHARCOAL PAVERS. STACKED BOND.
- 31 END CONCRETE PAVERS HERE.
- 32 FILL BETWEEN CURB AND FENCE WITH 3" #5 WASHED STONE.
- 33 BACKFILL NEXT TO CURBS WITH 6" TOPSOIL. TYPICAL.
- 34 #16.67' x 20' 6" CONCRETE PAD. DETAIL 4/C9-2 SIMILAR.
- 35 FINISH GRADE SHALL HAVE A UNIFORM SLOPE FROM FINISH ELEVATIONS SHOWN AT THE BUILDING TO THE TOP OF WALK.
- 36 6" SOLID PVC.
- 37 CONNECT 12" RCP TO EXISTING MANHOLE AT INVERT ELEVATION 847.10'.
- 38 PROVIDE AND INSTALL NEW BALL WALL (CONTRACT #47)
- 39 3/4" O.D. CONCRETE FILLED BUMPER POSTS. CROWN CONCRETE TO SHED WATER.
- 40 CONCRETE SIDEWALK. DETAIL 4/9-2.
- 41 6" #53 CRUSHED STONE PAVEMENT ON GEOTEXTILE FABRIC.
- 42 RELOCATED DIESEL FUEL TANK. COORDINATE RELOCATION WITH THE ARCHITECT.
- 43 REPLACE MONOLITHIC PAVERS FILL TO FULL DEPTH WITH #5 WASHED STONE.
- 44 GRADE AND PREPARE FOR SEED PRACTICE FOOTBALL FIELD. SLOPE FIELD UNIFORMLY AT 2% FROM SOUTH TO NORTH.
- 45 CONNECT NEW 4" CW TO EXISTING 1" CW LINE.
- 46 CONNECT 4" DRAIN TO 12" RCP STORM INLET. VERIFY INVERT.
- 47 PROVIDE HAWS PEDESTAL DRINKING FOUNTAIN MODEL #3060 HFP OR APPROVED EQUAL. HAND OPERATED FREEZE PROOF VALVE. 36" BURY VANDAL-RESISTANT MOUNTING BRACKETS.
- 48 COPPER TUBING SHALL BE ASTM B88 TYPE K WITH WROUGHT COPPER SOLDER JOINT FITTINGS. DO NOT USE SOLDER CONTAINING LEAD IN POTABLE WATER SYSTEMS. WATER LINES SHALL BE BURIED 3'-6" DEEP.
- 49 4" WASTE LINE SHALL BE CAST IRON RIB AND 3" SLOTTED SOIL PIPE AND FITTING. PROVIDE SOLID CONNECTION BETWEEN DRINKING FOUNTAIN WASTE AND 4" DRAIN LINE.
- 50 PROVIDE 2 CU FT DRY WELL FOR DRAIN FROM FREEZE PROOF VALVE. FILL DRY WELL WITH #5 WASHED STONE.
- 51 EXISTING CURB TO REMAIN.
- 52 REPAIR CONCRETE FOLLOWING WATER LINE INSTALLATION WITH 6" CONCRETE AS DETAILED IN 4/C9-2. SIMILAR.
- 53 DOT FULL-DEPTH BITUMINOUS PAVEMENT. DETAIL 14/C9-2.
- 54 NEW BITUMINOUS PAVEMENT. DETAIL 2/C9-2.



**S I T E P L A N**

SCALE: 1" = 30'



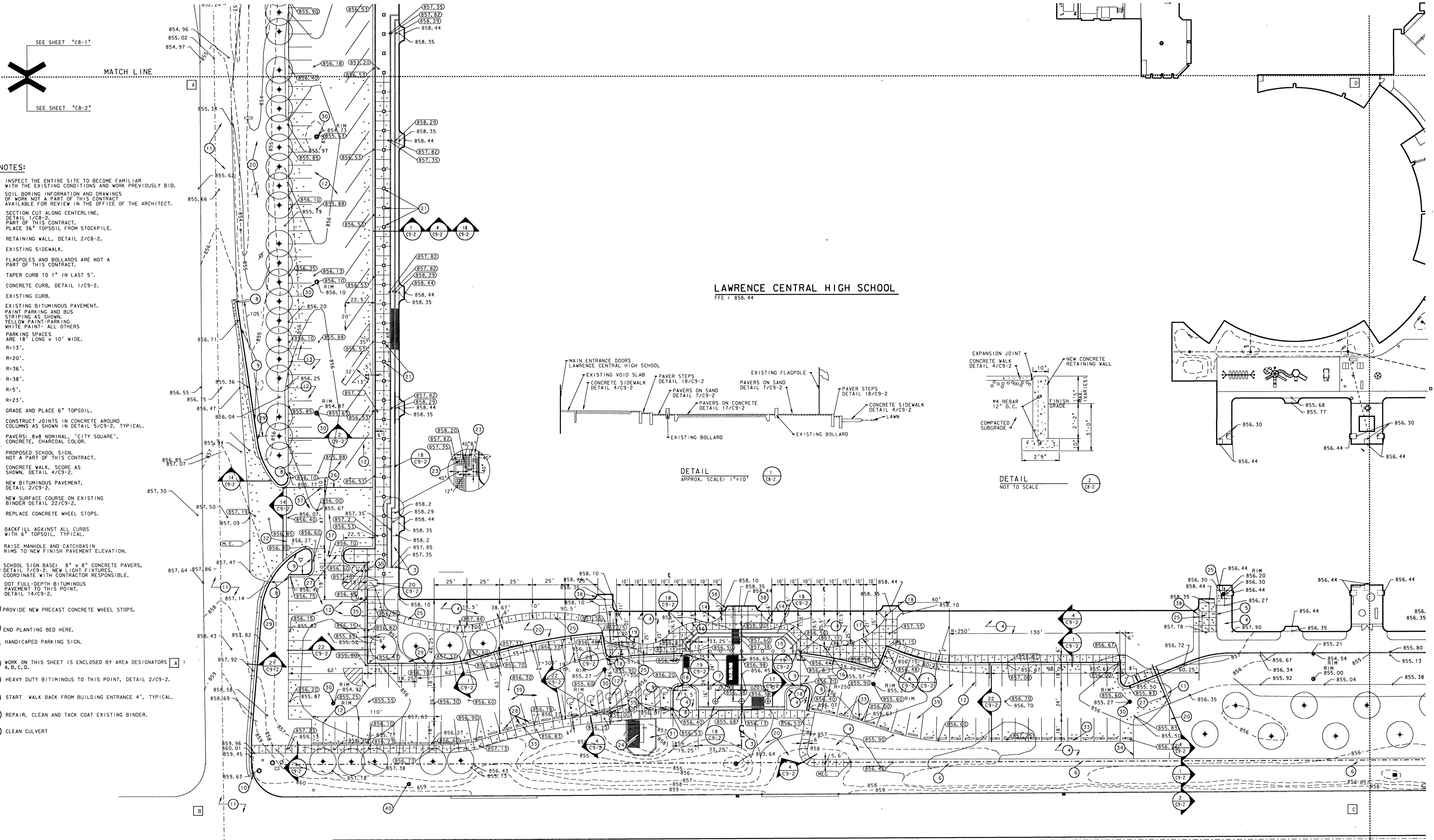
**CONTINUING ADDITION TO and RENOVATION OF  
 LAWRENCE CENTRAL HIGH SCHOOL**  
 for the METROPOLITAN SCHOOL DISTRICT of LAWRENCE TOWNSHIP  
 MARION COUNTY, INDIANA

**EVERETT I. BROWN Company**  
**Architects & Engineers**  
 350 NORTH MERIDIAN STREET  
 INDIANAPOLIS, INDIANA 46204  
 (317) 237-7000



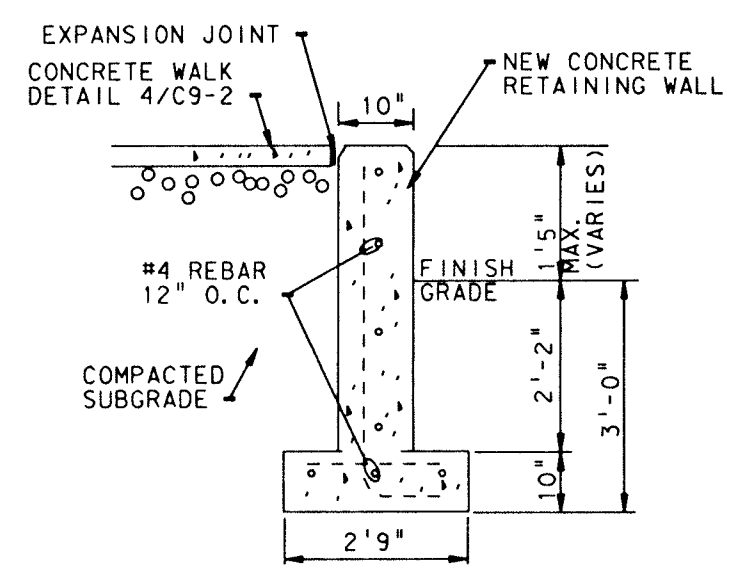
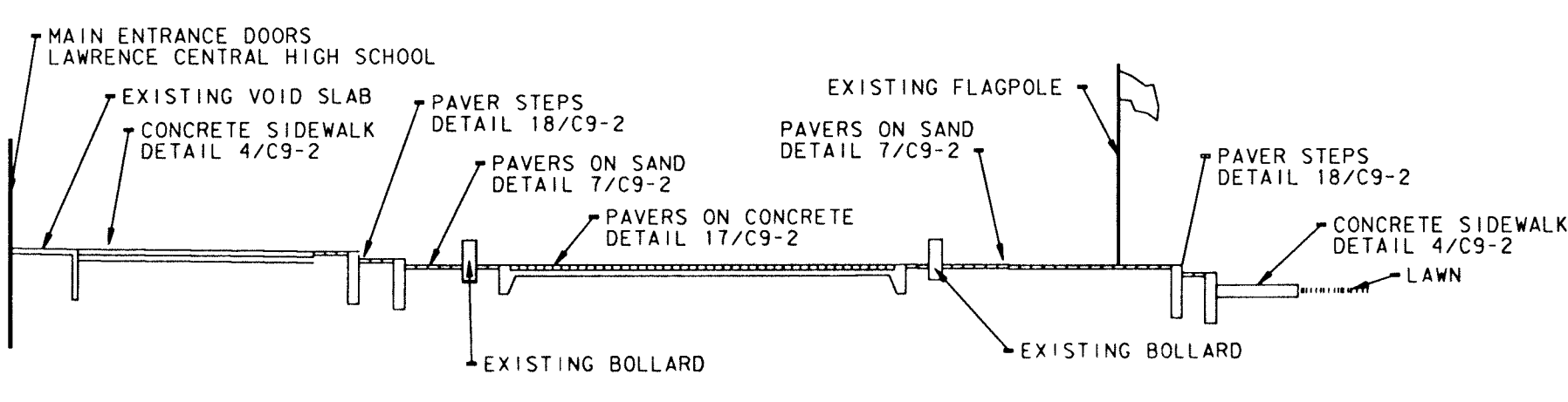
PROJECT  
 871-110  
 DATE  
 DEC. 18, 1989  
 REVISED  
 MAR. 21, 1991  
 NOV. 21, 1991

NO. C8-1  
OF



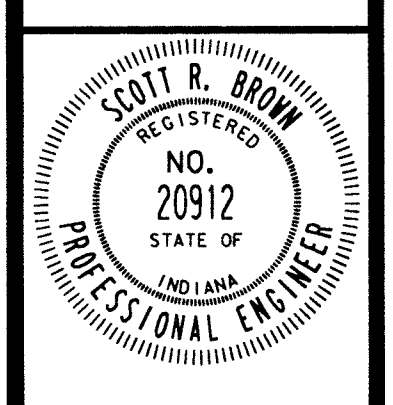
- NOTES:**
- INSPECT THE ENTIRE SITE TO BECOME FAMILIAR WITH THE EXISTING CONDITIONS AND WORK PREVIOUSLY BID.
  - SOIL BORING INFORMATION AND DRAWINGS OF WORK NOT A PART OF THIS CONTRACT AVAILABLE FOR REVIEW IN THE OFFICE OF THE ARCHITECT.
  - SECTION CUT ALONG CENTERLINE, DETAIL 1/C8-2, PART OF THIS CONTRACT.
  - PLACE 36" TOPSOIL FROM STOCKPILE.
  - RETAINING WALL, DETAIL 2/C8-2.
  - EXISTING SIDEWALK.
  - FLAGPOLES AND BOLLARDS ARE NOT A PART OF THIS CONTRACT.
  - TAPER CURB TO 1" IN LAST 5'.
  - CONCRETE CURB, DETAIL 1/C9-2.
  - EXISTING CURB.
  - EXISTING BITUMINOUS PAVEMENT.
  - PAINT PARKING AND BUS STRIPING AS SHOWN.
  - YELLOW PAINT-PARKING WHITE PAINT- ALL OTHERS.
  - PARKING SPACES ARE 18' LONG X 10' WIDE.
  - R=13'.
  - R=20'.
  - R=36'.
  - R=30'.
  - R=5'.
  - R=23'.
  - GRADE AND PLACE 6" TOPSOIL.
  - CONSTRUCT JOINTS IN CONCRETE AROUND COLUMNS AS SHOWN IN DETAIL 5/C9-2, TYPICAL.
  - PAVERS: 8x8 NOMINAL, 'CITY SQUARE', CONCRETE, CHARCOAL COLOR.
  - PROPOSED SCHOOL SIGN, NOT A PART OF THIS CONTRACT.
  - CONCRETE WALK, SCORE AS SHOWN, DETAIL 4/C9-2.
  - NEW BITUMINOUS PAVEMENT, DETAIL 2/C9-2.
  - NEW SURFACE COURSE ON EXISTING BINDER DETAIL 22/C9-2.
  - REPLACE CONCRETE WHEEL STOPS.
  - BACKFILL AGAINST ALL CURBS WITH 6" TOPSOIL, TYPICAL.
  - RAISE MANHOLE AND CATCHBASIN RIMS TO NEW FINISH PAVEMENT ELEVATION.
  - SCHOOL SIGN BASE: 8" x 8" CONCRETE PAVERS, DETAIL 17/C9-2, NEW LIGHT FIXTURES COORDINATE WITH CONTRACTOR RESPONSIBLE.
  - DOT FULL-DEPTH BITUMINOUS PAVEMENT TO THIS POINT, DETAIL 14/C9-2.
  - PROVIDE NEW PRECAST CONCRETE WHEEL STOPS.
  - END PLANTING BED HERE.
  - HANDICAPPED PARKING SIGN.
  - WORK ON THIS SHEET IS ENCLOSED BY AREA DESIGNATORS A, B, C, D.
  - HEAVY DUTY BITUMINOUS TO THIS POINT, DETAIL 2/C9-2.
  - START WALK BACK FROM BUILDING ENTRANCE 4', TYPICAL.
  - REPAIR, CLEAN AND TACK COAT EXISTING BINDER.
  - CLEAN CULVERT.

**LAWRENCE CENTRAL HIGH SCHOOL**  
FFE : 858.44

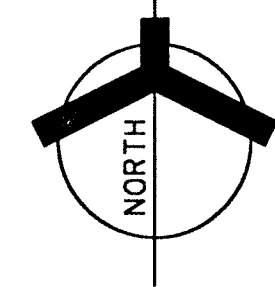


CONTINUING ADDITION TO AND RENOVATION OF  
**LAWRENCE CENTRAL HIGH SCHOOL**  
 FOR THE METROPOLITAN SCHOOL DISTRICT OF LAWRENCE TOWNSHIP  
 MARION COUNTY, INDIANA  
 C. EVERETT L. BROWN COMPANY

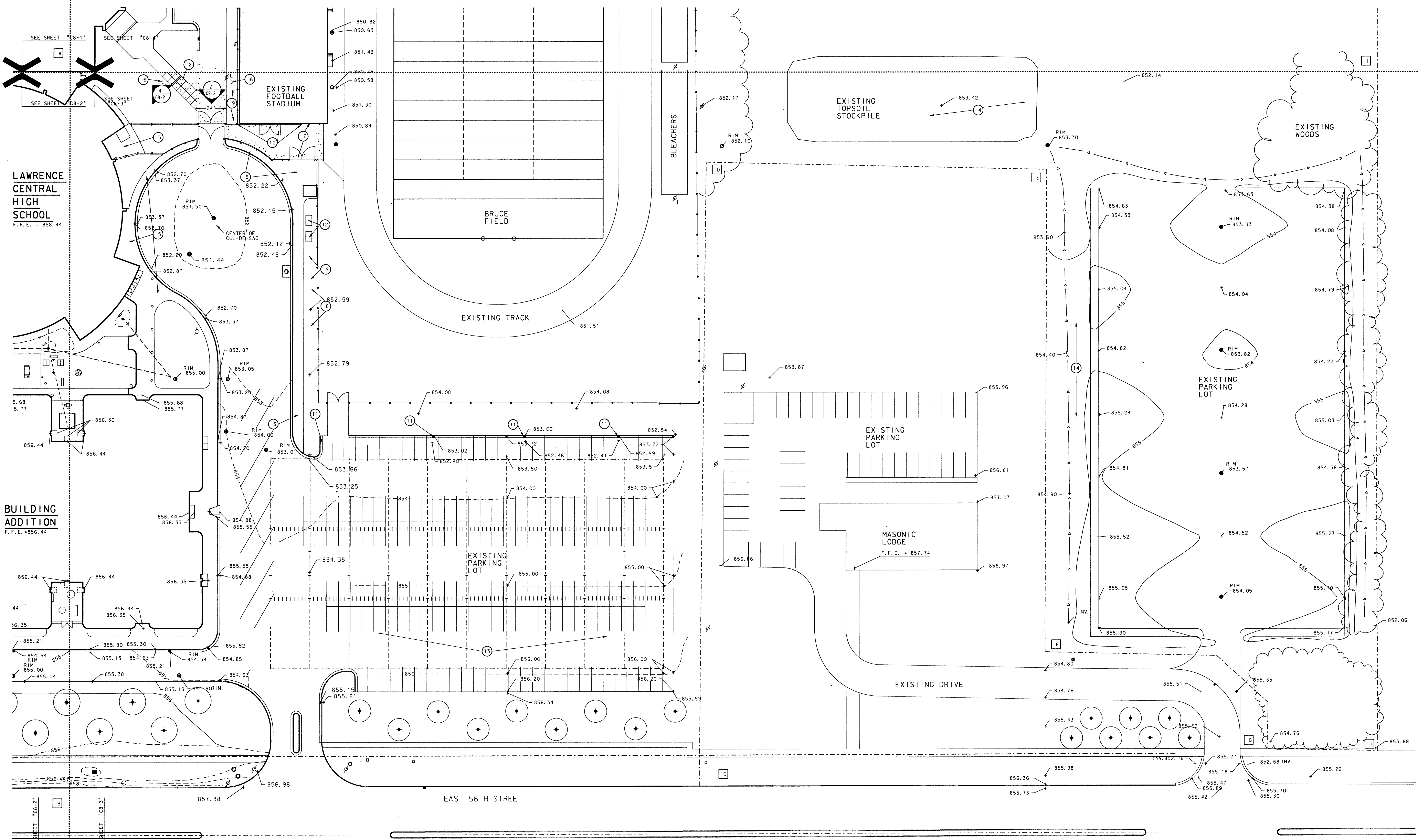
**EVERETT L. BROWN Company**  
**Architects & Engineers**  
 950 NORTH MERIDIAN STREET  
 INDIANAPOLIS, INDIANA 46204  
 (317) 231-1000



PROJECT 871-110  
 DATE DEC. 18, 1989  
 REVISED  
 MAR. 21, 1991  
 NOV. 21, 1991



**S I T E P L A N**  
SCALE: 1" = 30'



**LAWRENCE CENTRAL HIGH SCHOOL**  
F.F.E. = 859.44

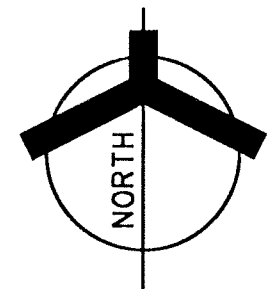
**BUILDING ADDITION**  
F.F.E. = 856.44

**NOTES:**

- 1 WORK ON THIS SHEET IS ENCLOSED BY DESIGNATORS A, B, C, ..., G, H, I.
- 2 SCORE CONCRETE WALKS AS SHOWN.
- 3 SOIL BORING INFORMATION IS AVAILABLE IN THE FIELD OFFICE OF THE ARCHITECT.
- 4 GRADE REMAINING TOPSOIL IN STOCKPILE. SIDE SLOPES SHALL BE NO GREATER THAN 4:1. COORDINATE WITH THE ARCHITECT.
- 5 EXISTING CONCRETE WALK.

- 6 STUB CAP AND MARK (2)-4" PVC FOR FUTURE ELECTRICAL WORK.
- 7 ADD BITUMINOUS SURFACE, TO THE THICKNESS NECESSARY AND AS DIRECTED BY THE ARCHITECT TO PROVIDE MAXIMUM 1:2 SLOPE. MATCH EXISTING GRADES.
- 8 BACKFILL AGAINST SIDEWALK WITH TOPSOIL.
- 9 PLACE 36" TOPSOIL IN DISTURBED AREA.
- 10 NEW 6' FENCE (APPROX 32.5') AND (2) 8' GATES.

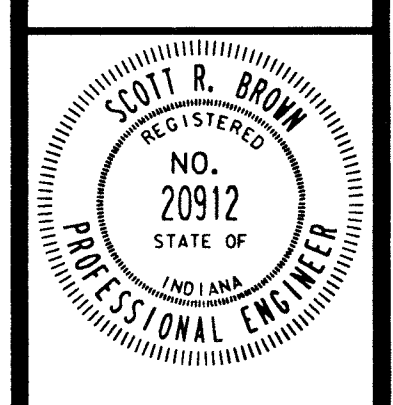
- 11 CLEAN CURB INLET OF DEBRIS. FLUSH PIPES.
- 12 RAISE (2) ELECTRICAL BOXES.
- 13 REPAINT PARKING LOT STRIPING AND BAND PRACTICE FIELD. MATCH EXISTING PAINT COLORS.
- 14 GRADE, TOPSOIL, AND PREPARE AREA FOR SEEDING.



**S I T E P L A N**  
SCALE: 1" = 30'

**CONTINUING ADDITION TO AND RENOVATION OF LAWRENCE CENTRAL HIGH SCHOOL**  
 for the METROPOLITAN SCHOOL DISTRICT of LAWRENCE TOWNSHIP  
 MARION COUNTY, INDIANA

**EVERETT L. BROWN Company**  
**Architects & Engineers**  
 950 NORTH MERIDIAN STREET  
 INDIANAPOLIS, INDIANA 46204  
 (317) 231-1000



PROJECT 871-110  
DATE DEC. 18, 1989  
REVISED  
MAR. 21, 1991  
NOV. 21, 1991

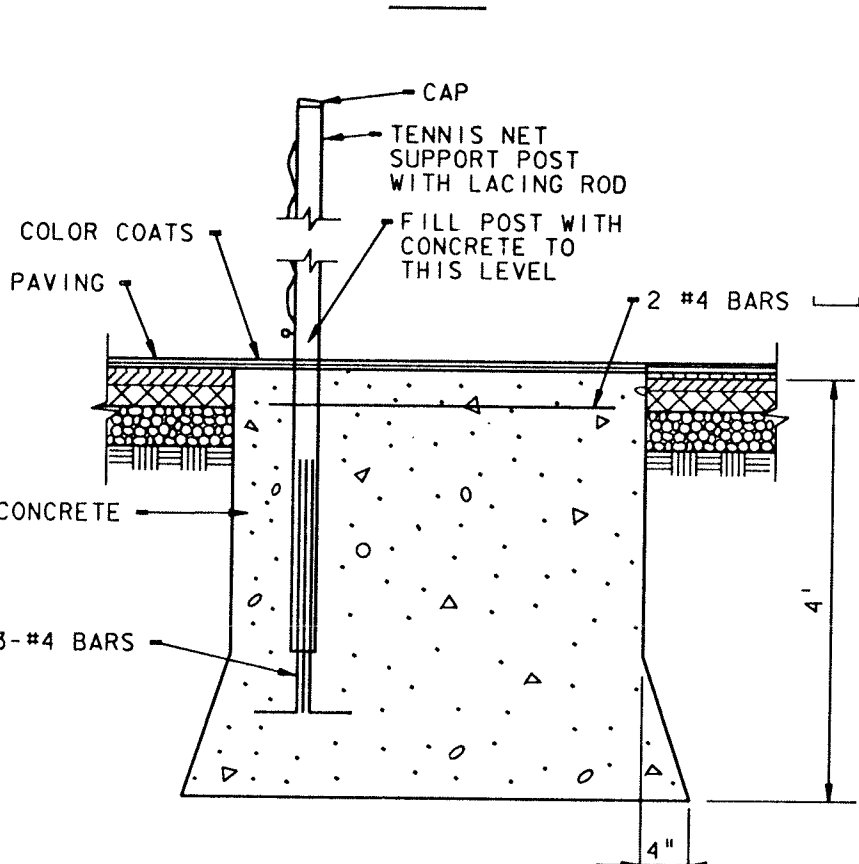
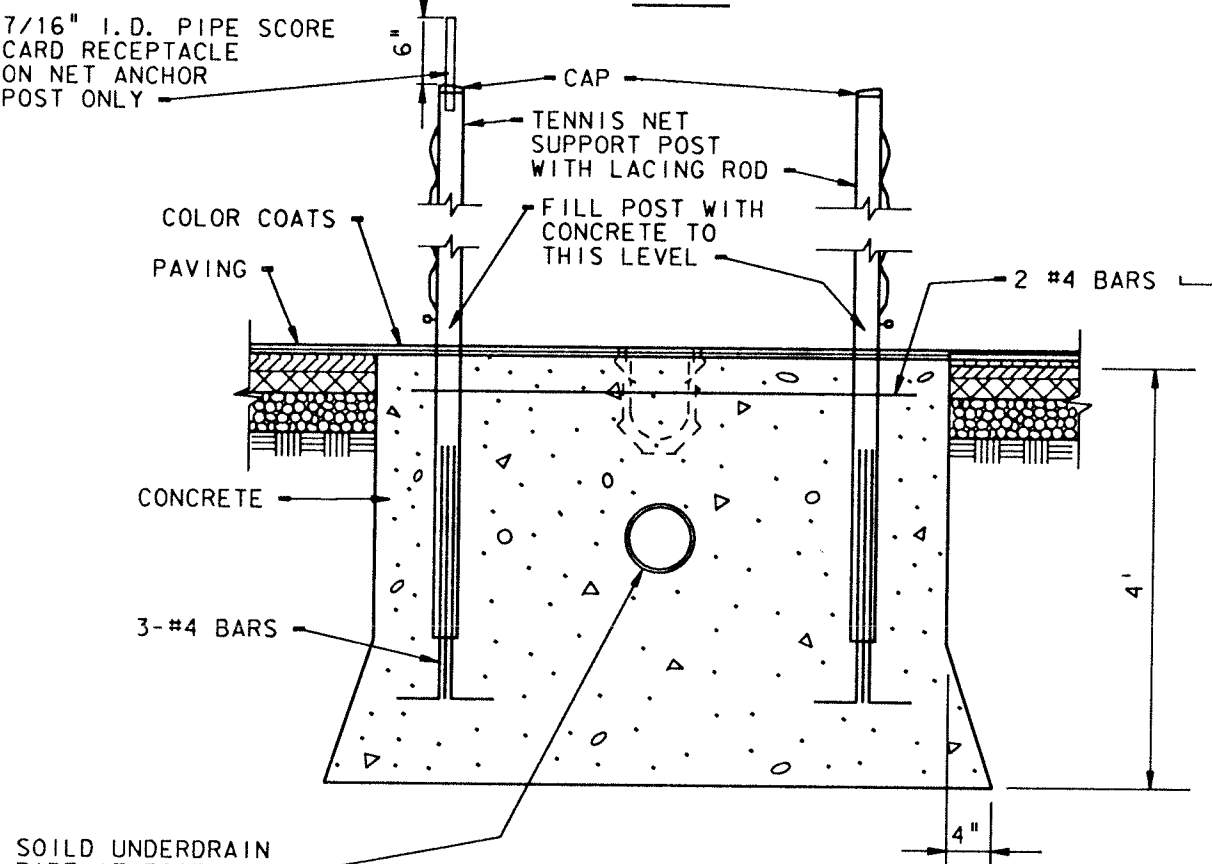
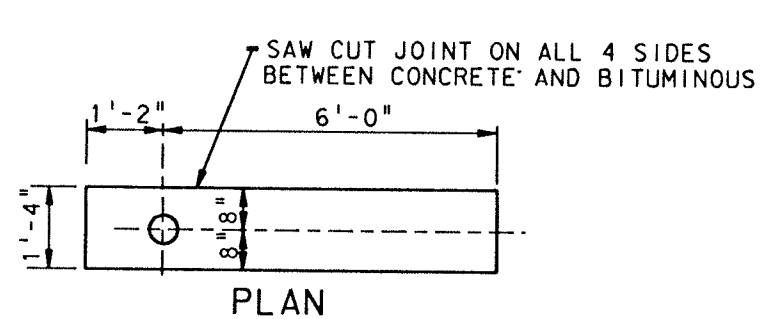
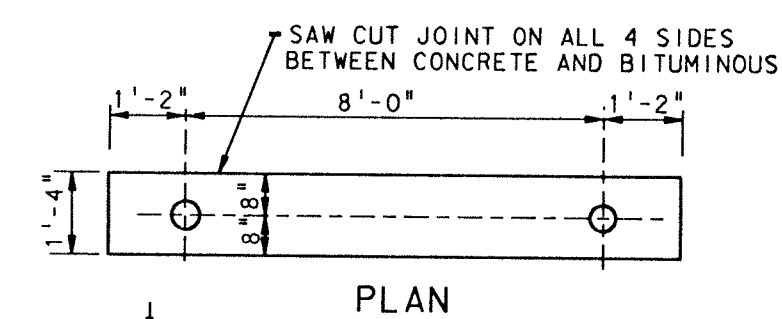
NO. C8-3  
OF

NOTE:  
ALL WORK ON THIS SHEET IS A PART OF CONTRACT #2 UNLESS NOTED OTHERWISE.

PLAN NOTES

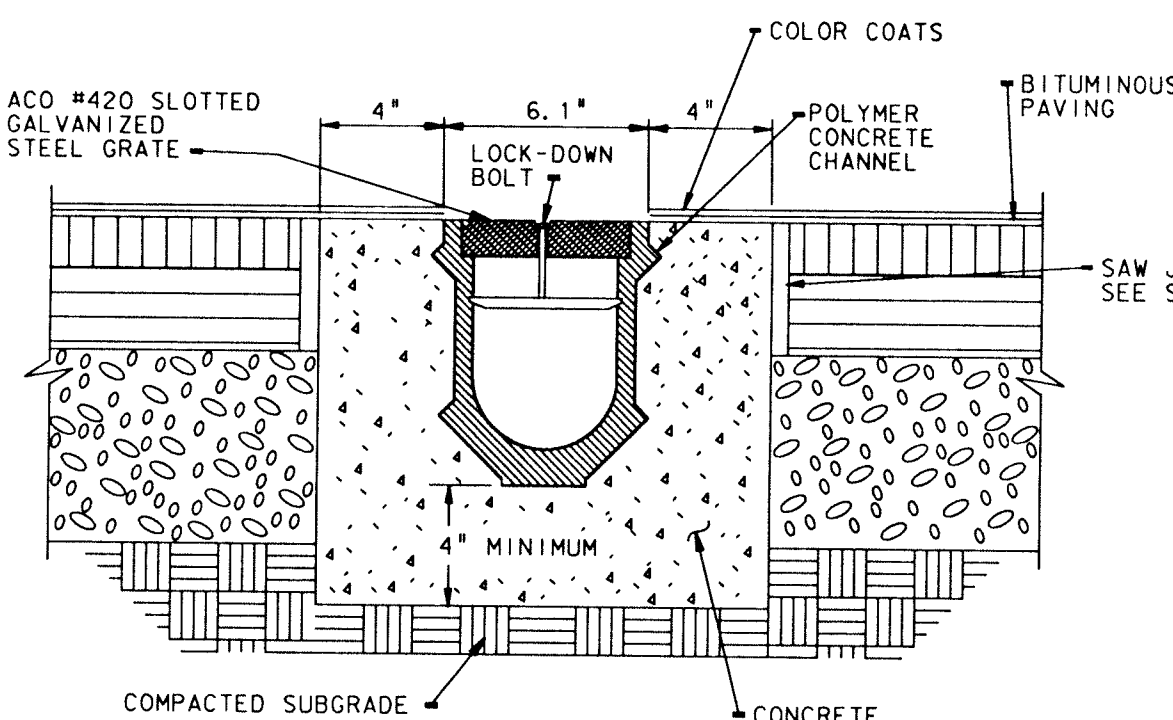
- 1 EXISTING CURB TO REMAIN.
- 2 PLACE 6" TOPSOIL IN DISTURBED AREAS, TYPICAL.
- 3 NEW BITUMINOUS PAVEMENT, DETAIL 2/9-2.
- 4 EXISTING GATE.
- 5 EXISTING WALK.
- 6 PAINT STRIPING AS SHOWN.
- 7 PLACE 36" TOPSOIL.
- 8 R = 6'
- 9 END NEW CURB HERE.
- 10 NEW BITUMINOUS PAVEMENT, DETAIL 2/9-2.
- 11 10' PVC COATED CHAIN LINK FENCE. (CONTRACT #47)
- 12 3' GATE WITH TRANSOM. (CONTRACT #47)
- 13 4" PVC UNDERDRAIN.
- 14 INTERIOR TENNIS NET SUPPORT POSTS SHALL BE SET IN A CONCRETE FOUNDATION AS DETAILED IN SECTION 3. EXTERIOR TENNIS NET SUPPORT POST SHALL BE SET IN A CONCRETE FOUNDATION AS DETAILED IN SECTION 4.
- 15 CONSTRUCT NEW STORM MANHOLE OVER EXISTING SEWER. SEE STORM MANHOLE DETAIL 25 ON SHEET C9-2. INVERT EXISTING 36" RCP = 846.53'. VERIFY. SEE MANHOLE SCHEDULE ON SHEET C9-2.
- 16 6" SOLID PVC.
- 17 CONNECT 12" RCP TO EXISTING MANHOLE AT INVERT ELEVATION 847.70'.

- 18 CONNECT NEW 12" RCP TO EXISTING 36" RCP AT ELEVATION 847.10'. GROUT COLLAR AROUND CONNECTION.
- 19 EXISTING CURB INLET TO REMAIN.
- 20 CONCRETE SIDEWALK, DETAIL 4/9-2.
- 21 CONNECT 4" DRAIN TO 12" RCP STORM DRAIN, VERIFY INVERT.
- 22 PROVIDE HANS PEDESTAL DRINKING FOUNTAIN MODEL #3030 HEP OR APPROVED EQUAL. HAND OPERATED FREEZE PROOF VALVE, 36" BURY. VANDAL-RESISTANT MOUNTING BRACKETS.
- 23 COPPER TUBING SHALL BE ASTM B88 TYPE K WITH WROUGHT COPPER SOLDER JOINT FITTINGS. DO NOT USE SOLDER CONTAINING LEAD IN POTABLE WATER SYSTEMS. WATER LINES SHALL BE BURIED 3'-6" DEEP.
- 24 4" WASTE LINE SHALL BE CAST IRON HUB AND SPIGOT SOIL PIPE AND FITTINGS. PROVIDE SOLID CONNECTION BETWEEN DRINKING FOUNTAIN WASTE AND 4" DRAIN LINE.
- 25 PROVIDE 2 CU. FT. DRY WELL FOR DRAIN FROM FREEZE PROOF VALVE. FILL DRY WELL WITH #5 WASHED STONE.
- 26 EXCAVATE 6" TOPSOIL AND PLACE 6" #53 CRUSHED STONE PAVEMENT ON GEOTEXTILE.
- 27 NEW #1 CHAIN LINK FENCE, (2) 8' GATES AND 3' GATE WITH TRANSOM.
- 28 COMPLETE POST AND BEAM CONSTRUCTION OF THE PARTIALLY COMPLETE KIT SHELTER HOUSE. PROVIDE LUMBER IF THE STOCKPILED KIT HAS DETERIORATED BEYOND USE. PROVIDE LUMBER WHICH IS ROUGH HEWN EXTERIOR GRADE TO MATCH THE EXISTING KIT LUMBER WHICH HAS BEEN STOCKPILED.
- 29 REGRADE PRACTICE FOOTBALL FIELD FROM SOUTH TO NORTH A UNIFORM 2% SLOPE.
- 30 GRADE REMAINING TOPSOIL STOCKPILE TO NO GREATER THAN 4:1 SIDE SLOPE AND 7' HEIGHT, AS DIRECTED BY THE ARCHITECT.
- 31 2' x 2' x 6" CONCRETE PAD, DETAIL 4/9-2, MODIFIED.
- 32 WORK ON THIS SHEET IS ENCLOSED BY DESIGNATORS A, B, C, ... F.
- 33 REGRADE EXISTING CRUSHED STONE AND ADD 4" NEW #53 CRUSHED STONE.

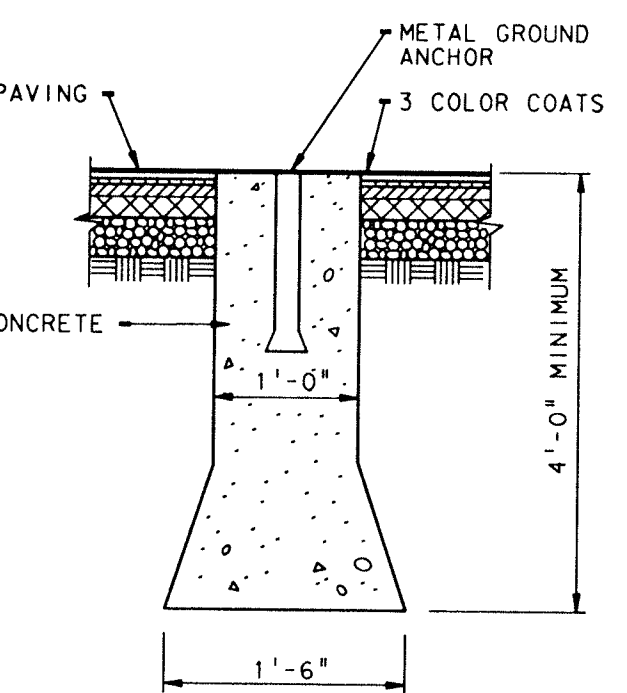


DETAIL 3  
NOT TO SCALE  
CONTRACT #2

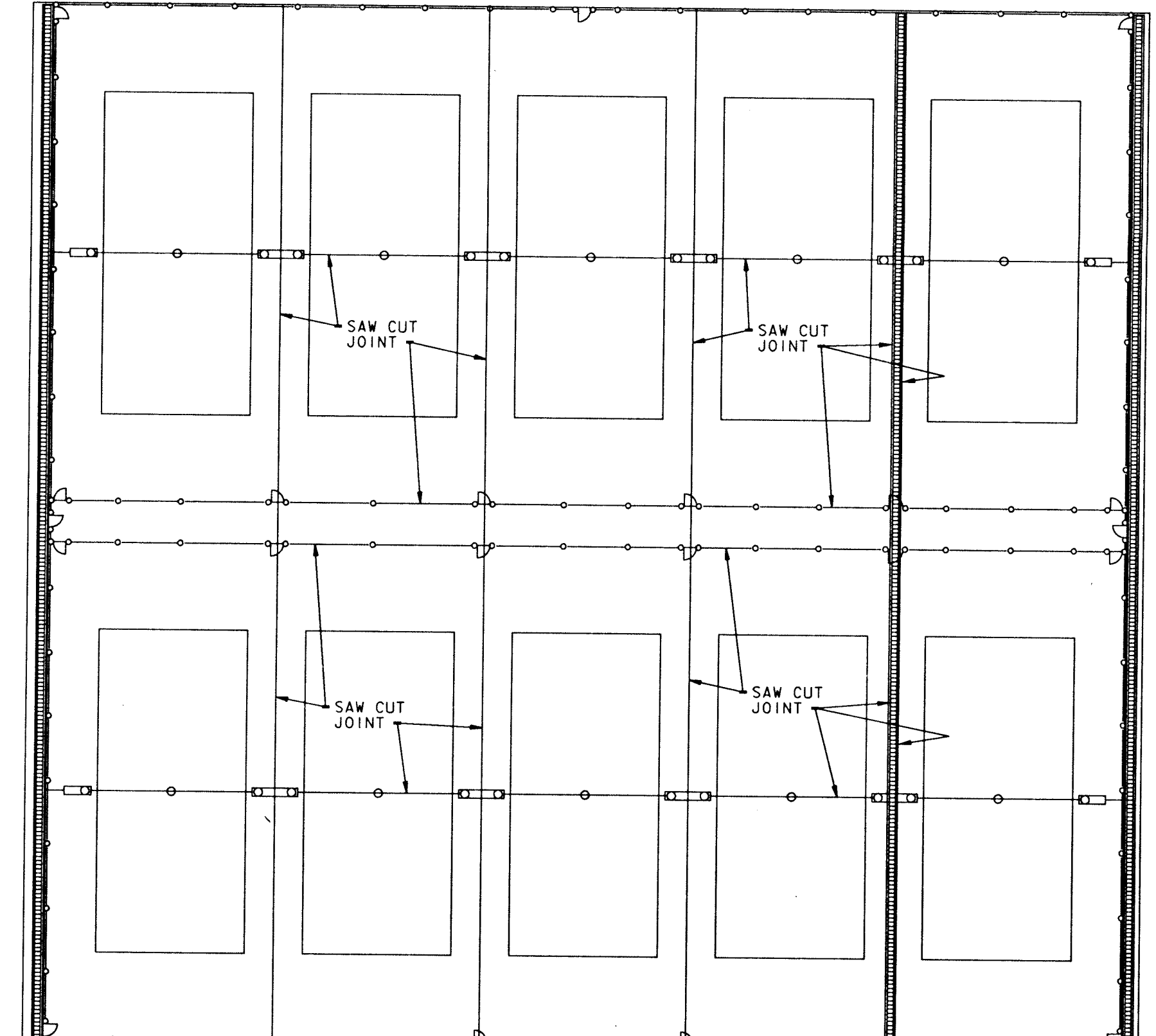
DETAIL 4  
NOT TO SCALE  
CONTRACT #2



SECTION 1  
NOT TO SCALE  
CONTRACT #2



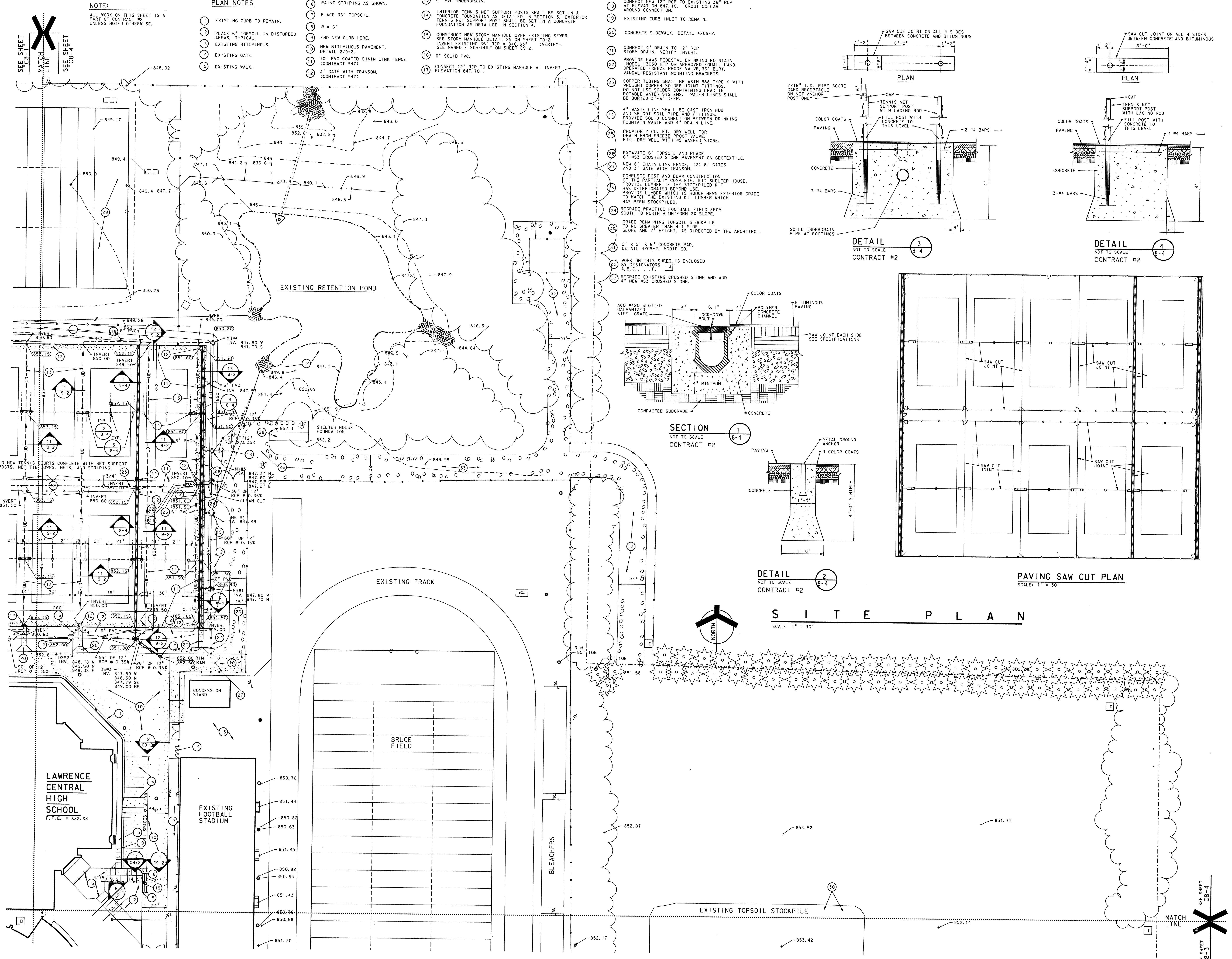
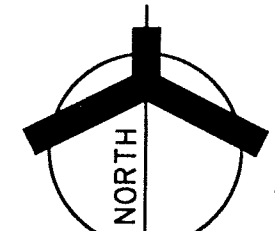
DETAIL 2  
NOT TO SCALE  
CONTRACT #2



PAVING SAW CUT PLAN  
SCALE: 1" = 30"

S I T E P L A N

SCALE: 1" = 30'



CONTINUING ADDITION TO AND RENOVATION OF  
**LAWRENCE CENTRAL HIGH SCHOOL**  
 for the METROPOLITAN SCHOOL DISTRICT of LAWRENCE TOWNSHIP  
 MARION COUNTY, INDIANA

**EVERETT & BROWN** Company  
 Architects & Engineers  
 950 NORTH MERIDIAN STREET  
 INDIANAPOLIS, INDIANA 46204  
 (317) 237-7000

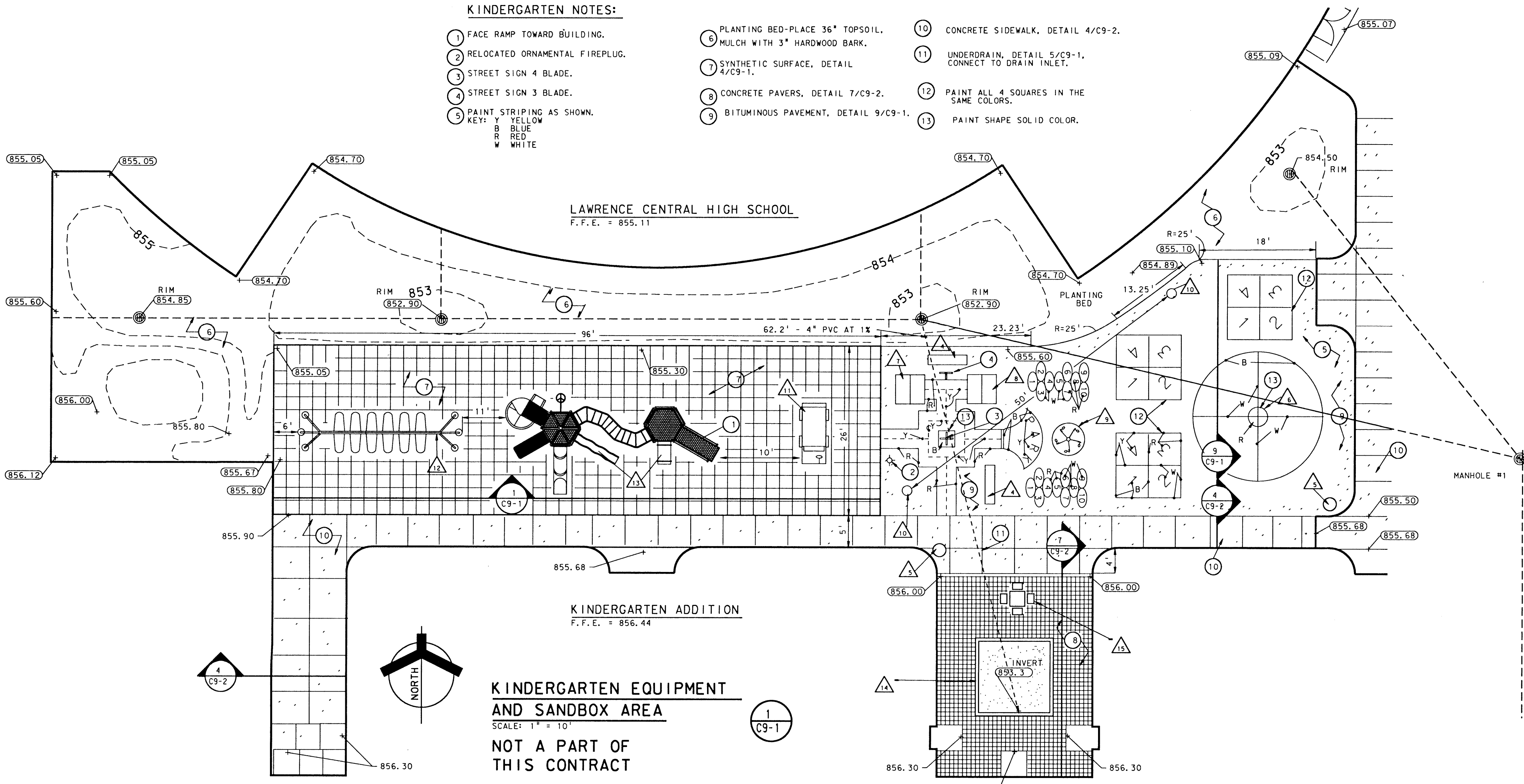


PROJECT  
 871-110  
 DATE  
 DEC. 18, 1989  
 REVISED  
 MAR. 21, 1991  
 NOV. 21, 1991

NO. C8-4  
OF

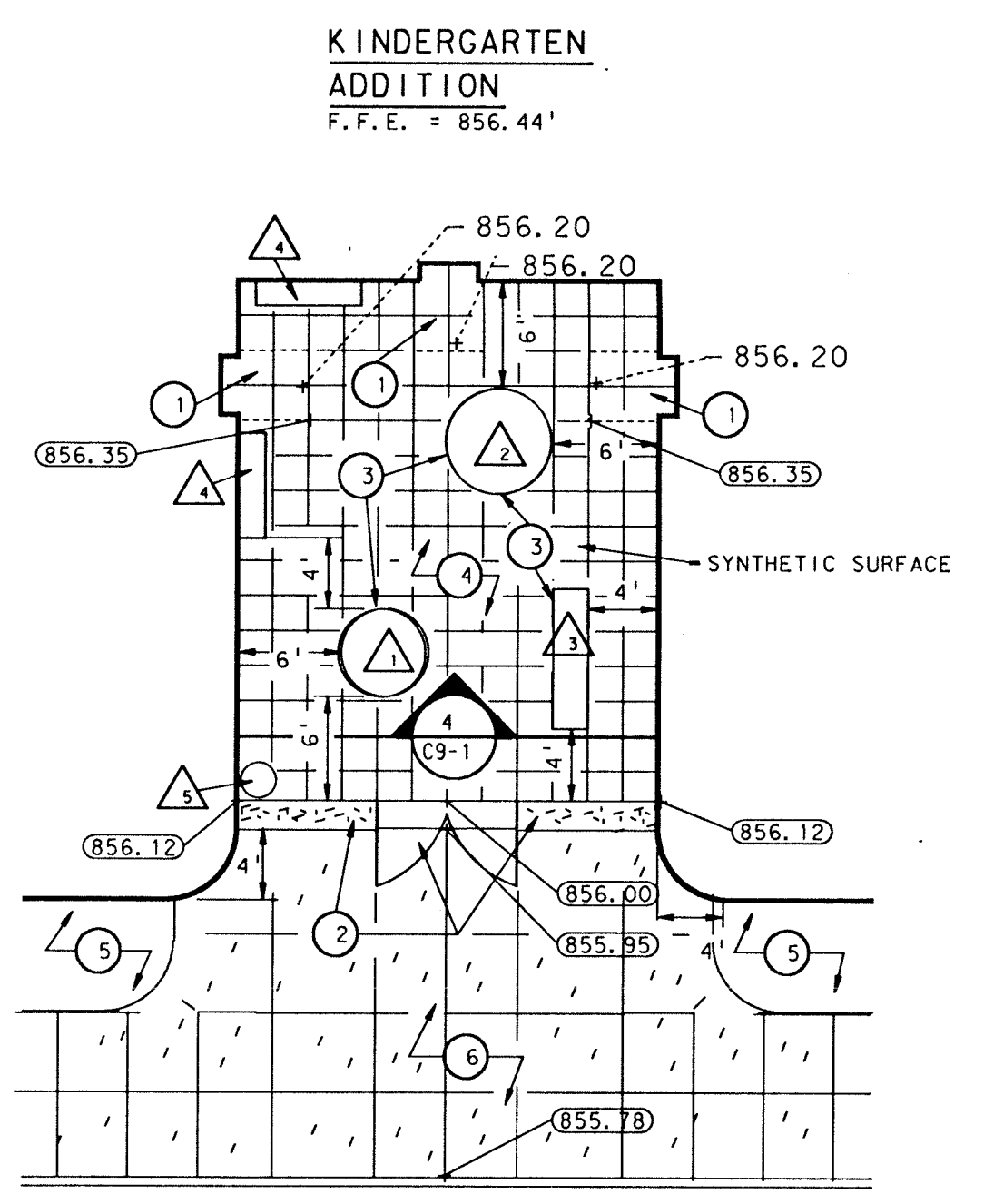
**KINDERGARTEN NOTES:**

- 1 FACE RAMP TOWARD BUILDING.
- 2 RELOCATED ORNAMENTAL FIREPLUG.
- 3 STREET SIGN 4 BLADE.
- 4 STREET SIGN 3 BLADE.
- 5 PAINT STRIPING AS SHOWN.  
KEY: Y YELLOW  
B BLUE  
R RED  
W WHITE
- 6 PLANTING BED-PLACE 36" TOPSOIL.
- 7 MULCH WITH 3" HARDWOOD BARK.
- 8 SYNTHETIC SURFACE. DETAIL 4/C9-1.
- 9 CONCRETE PAVERS, DETAIL 7/C9-2.
- 10 BITUMINOUS PAVEMENT, DETAIL 9/C9-1.
- 11 CONCRETE SIDEWALK, DETAIL 4/C9-2.
- 12 UNDERDRAIN, DETAIL 5/C9-1. CONNECT TO DRAIN INLET.
- 13 PAINT ALL 4 SQUARES IN THE SAME COLORS.
- 14 PAINT SHAPE SOLID COLOR.



**MOTOR SKILLS AREA NOTES:**

- 1 INSTALL SYNTHETIC SURFACE OVER EXISTING VOID SLABS.
- 2 WALL AND GATE, DETAILS ON SHEET C9-2.
- 3 6" SPACING BETWEEN EACH AND BENCHES.
- 4 MINIMUM CUT OF SYNTHETIC SURFACE: 1'-0".
- 5 PLANTING BED, REPLACE 36" TOPSOIL. MULCH WITH 3" BARK.
- 6 NEW CONCRETE SIDEWALK.



**MOTOR SKILLS AREA**  
 SCALE: 1" = 10'  
 NOT A PART OF THIS CONTRACT

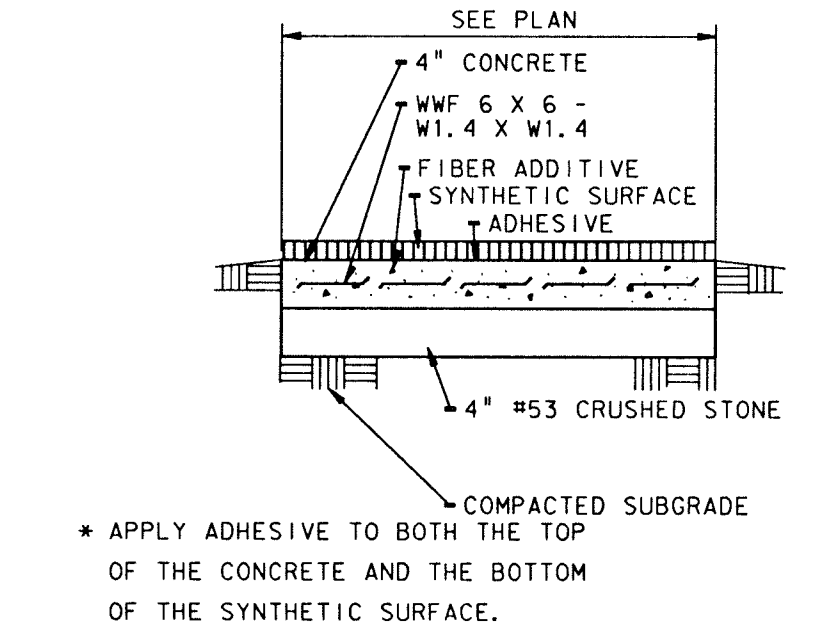
**KINDERGARTEN EQUIPMENT AND SANDBOX AREA**  
 SCALE: 1" = 10'  
 NOT A PART OF THIS CONTRACT

**EQUIPMENT LIST**

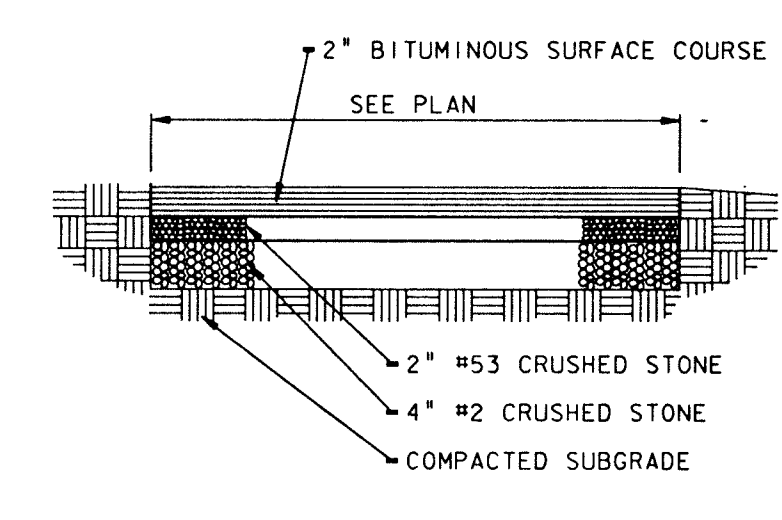
WALL EQUIPMENT LISTED FOR THE KINDERGARTEN AND MOTOR SKILLS AREAS ARE NOT A PART OF THIS CONTRACT.

SYMBOL	EQUIPMENT	MANUFACTURER	AREA	QUANTITY
▲	60-60 JIGGLE NO. C-221	BURKE COMPANY, INC.	GROSS MOTOR SKILLS*	1
▲	SWING GATE NO. C-95	BURKE COMPANY, INC.	GROSS MOTOR SKILLS*	1
▲	POST MAZE NO. 238-515	PLAYWORLD SYSTEMS	GROSS MOTOR SKILLS*	1
▲	52 SERIES BENCH - INGROUND NO. A615551A	WABASH VALLEY MFG., INC.	GROSS MOTOR SKILLS*/KINDERGARTEN	4
▲	32 GALLON RECEPTACLE COMPLETE WITH DOME NO. WY1321	WABASH VALLEY MFG., INC.	GROSS MOTOR SKILLS*/KINDERGARTEN	3
▲	FUNNEL BALL NO. FB-10, NO. ST-2 SLEEVE	BURKE COMPANY, INC.	KINDERGARTEN*	1
▲	VENUS HOUSE, NO. M740	KOMPAN INC.	KINDERGARTEN*	1
▲	VILLAGE HOUSE NO. M-750	KOMPAN INC.	KINDERGARTEN*	1
▲	5-SEAT CIRCLE CYCLE PERMANENT MOUNT WITH ANCHORS	RAINBOW PLAY	KINDERGARTEN*	2
▲	CHATTERBOX NO. TK-01	PLAYDESIGNS	KINDERGARTEN*	1
▲	ACTION FIRETRUCK NO. 0330	PLAYWORLD SYSTEMS	KINDERGARTEN*	1
▲	3 LEG HEAVY DUTY SWING NO. 0265, SET TOP RAIL HEIGHT AT 8".	PLAYWORLD SYSTEMS	KINDERGARTEN*	1
▲	CHALLENGER SERIES STRUCTURE BLUE FRAMEWORK, YELLOW PLASTIC COMPONENTS, FLUORESCENT GREEN METAL COMPONENTS	PLAYWORLD SYSTEMS	KINDERGARTEN*	1
▲	156" SUPPORT POST W/CAP NO. 350-13PST			4
▲	133" SUPPORT POST W/CAP NO. 350-12PST			5
▲	108" SUPPORT POST W/CAP NO. 350-09PST			6
▲	TRI-VINYL COATED DECK ASSY. NO. 1-350-00DCK(1TR)			6
▲	VINYL COATED HEX DECK ASSY. NO. 1-350-01HEX			1
▲	360 DEGREE SPIRAL SLIDE NO. 1-350-1285P			1
▲	SINGLE POLY TUBE SLIDE NO. 1-350-36TSL			1
▲	PIPE WALL BARRIER NO. 350-01PWB			1
▲	TIC-TAC-TOE WALL NO. 1-350-01TTW			1
▲	STEERING WHEEL (POST MOUNT) NO. 1-350-08STW			1
▲	FREE STANDING CRAWL TUBE NO. 1-350-01CTM			1
▲	5' HORIZONTAL LADDER NO. 1-350-00CLS			1
▲	VINYL COATED ACCESS RAMP NO. 1-350-01RMP(S)			1
▲	SPIRAL CLIMBER NO. 1-350-01SCP			1
▲	(11) CLIMBING RUNG W/2 HAND LOOPS NO. 1-350-01CLR			3
▲	ENCLOSED VINYL COATED STEPS NO. 1-350-60MSS			1
▲	SERVICE KIT NO. 350-00KIT			1
▲	12' REDWOOD SANDBOX NO. 6040	PLAYWORLD SYSTEMS	KINDERGARTEN*	1
▲	OUTDOOR DINING TABLE NO. 4990	PLAYWORLD SYSTEMS	KINDERGARTEN*	1
▲	DISCOVERY SERIES REDWOOD MODULAR STRUCTURE BURGANDY PLASTIC COMPONENTS NO. 600-14136	PLAYDESIGNS	DAYCARE	1
▲	(11) DECK ON (4) POSTS (36" DECK HT.) NO. 600-26148			1
▲	(21) DECKS ON (6) POSTS (36" DECK HT.) NO. 600-36TSL			1
▲	SHORT TUBE SLIDE (36" DECK HT.) NO. 600-90DEG			1
▲	90" PLASTIC SLIDE (36" DECK HT.) NO. 600-01PWB			1
▲	MIRROR ACTIVITY PANEL, COLOR WHEEL PANEL PLASTIC PANEL WITH INSERT NO. 600-01PWB			2
▲	WOOD WALL BARRIER NO. 600-02TOT			1
▲	TOT SEAT SWING (GALVANIZED CHAIN) NO. 600-06CWL			1
▲	CRAWL TUBE W/(2) PLASTIC PANELS NO. 600-08STW			1
▲	STEERING WHEEL NO. 600-01RMP			1
▲	ACCESS RAMP (24" DECK) NO. 600-03SSW			1
▲	2 UNIT SWING SECT. W/(3) POSTS, NO WALL NO. 600-02BELT			1
▲	BELT SEAT SWING (GALVANIZED CHAIN) NO. 60001SPL			1
▲	SPIRAL CLIMBER (36" DECK HT.) NO. 600-01ROOF			2
▲	SHORT WOOD ROOF SECTION NO. 600-03DB			1

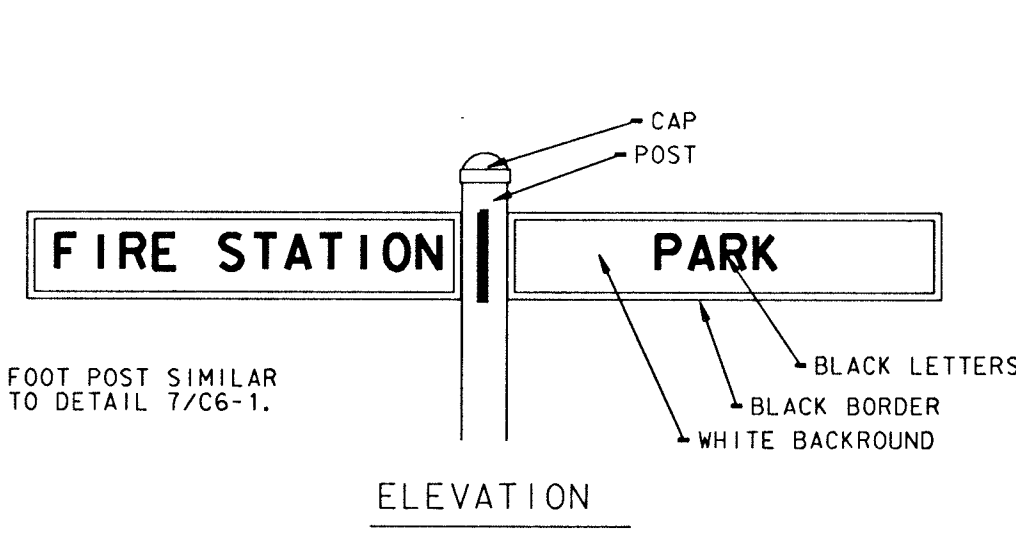
NOT A PART OF THIS CONTRACT



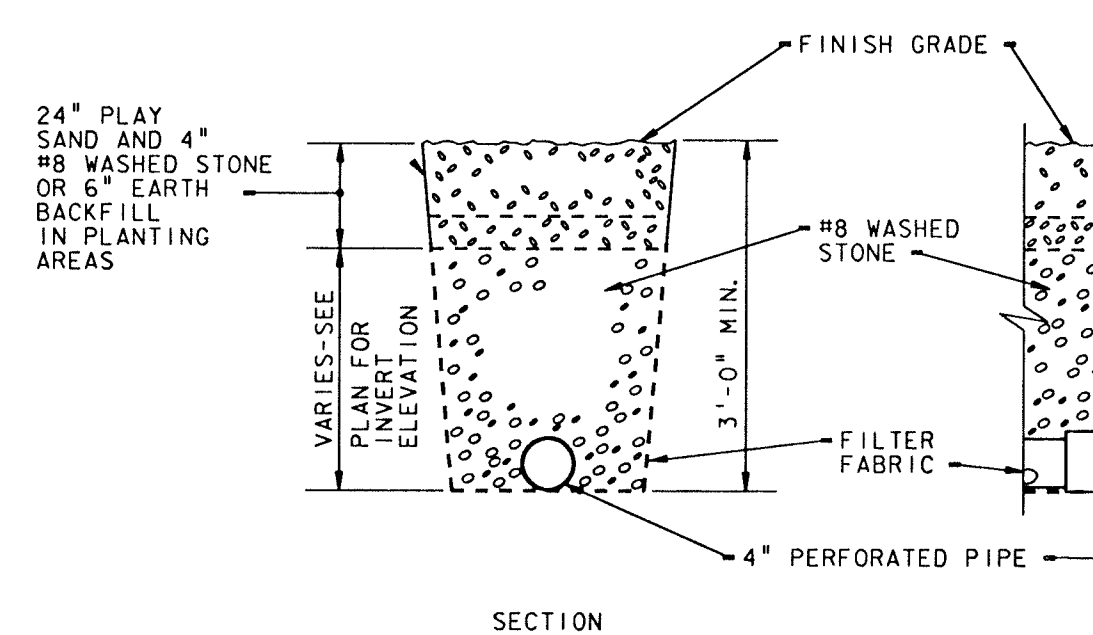
**SECTION 4**  
 NOT A PART OF THIS CONTRACT  
 CONTRACT #2 ALTERNATE #1



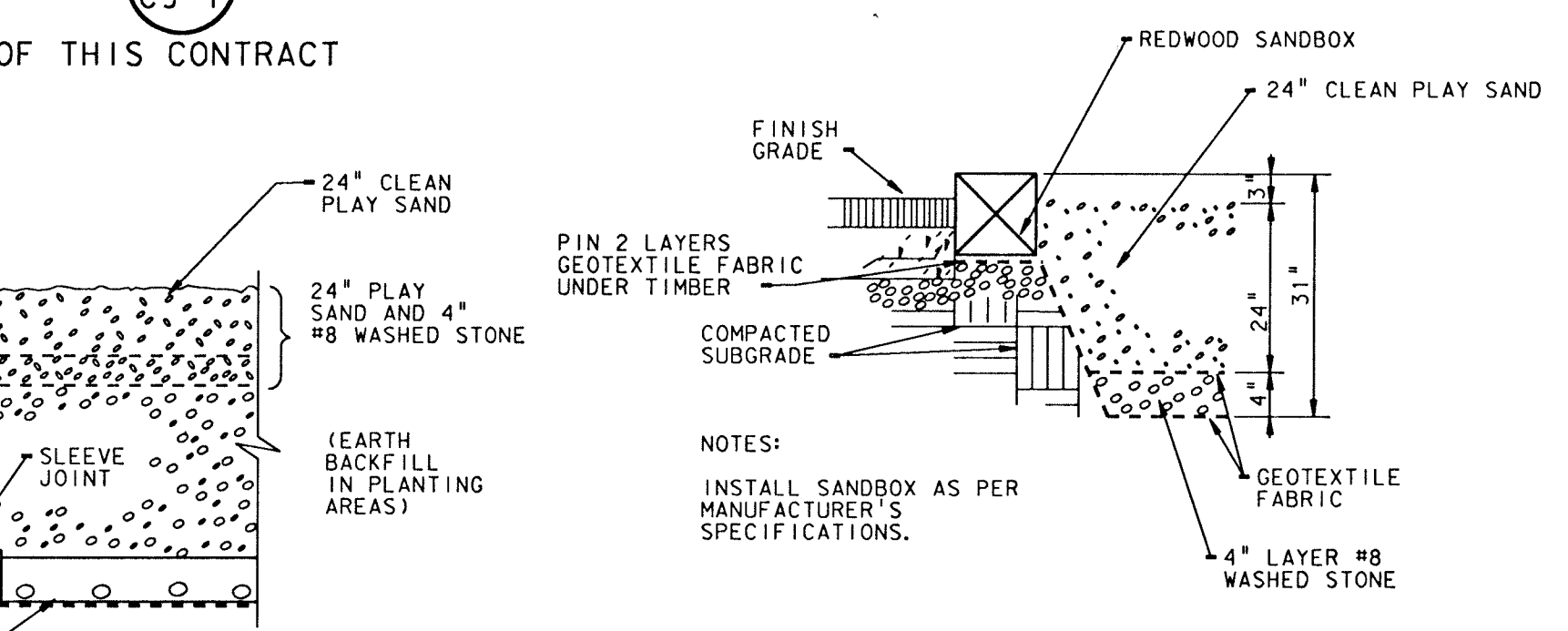
**SECTION 9**  
 NOT A PART OF THIS CONTRACT



**SIGN DETAIL 10**  
 NOT A PART OF THIS CONTRACT

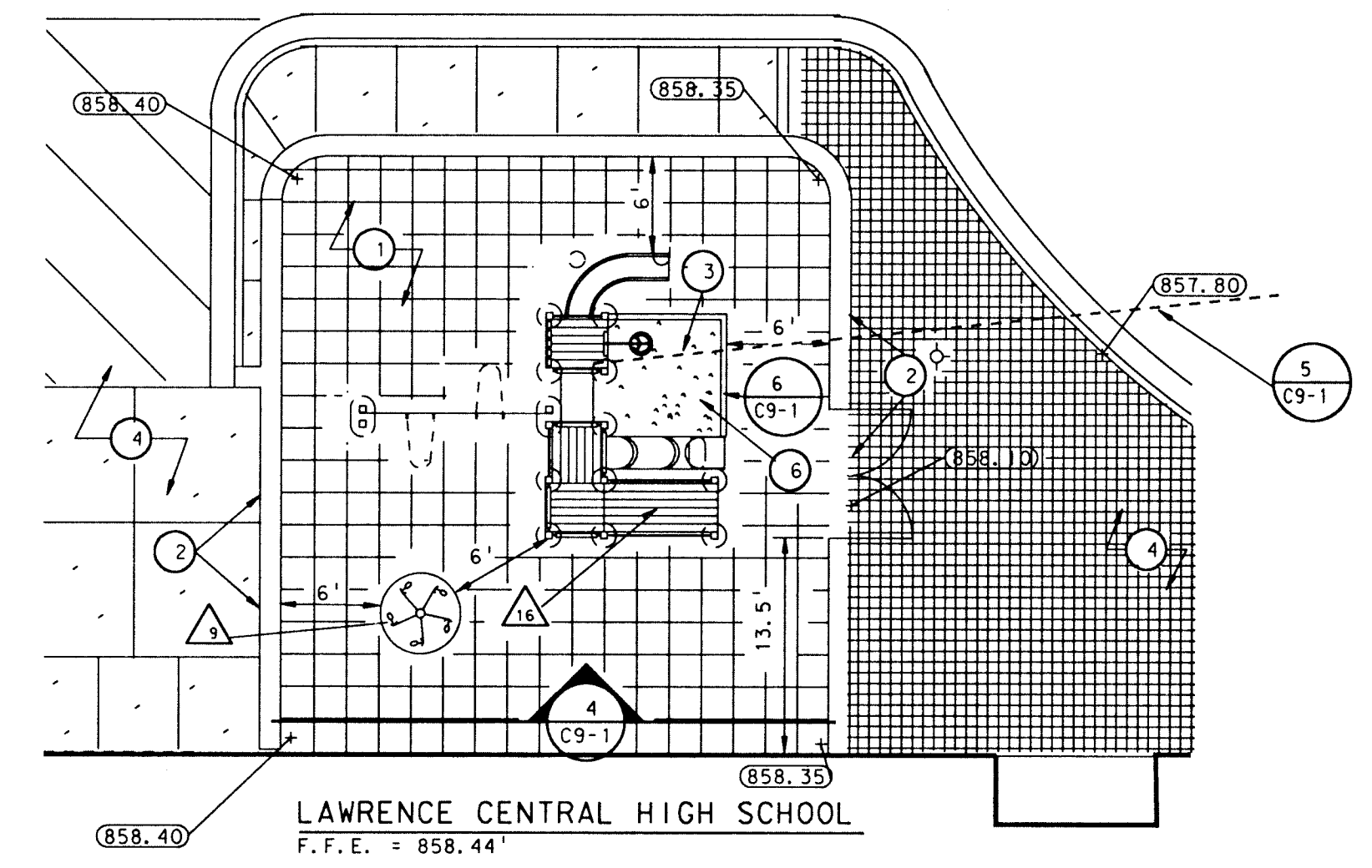


**SECTION 5**  
 NOT A PART OF THIS CONTRACT  
 CONTRACT #2 ALTERNATE #1

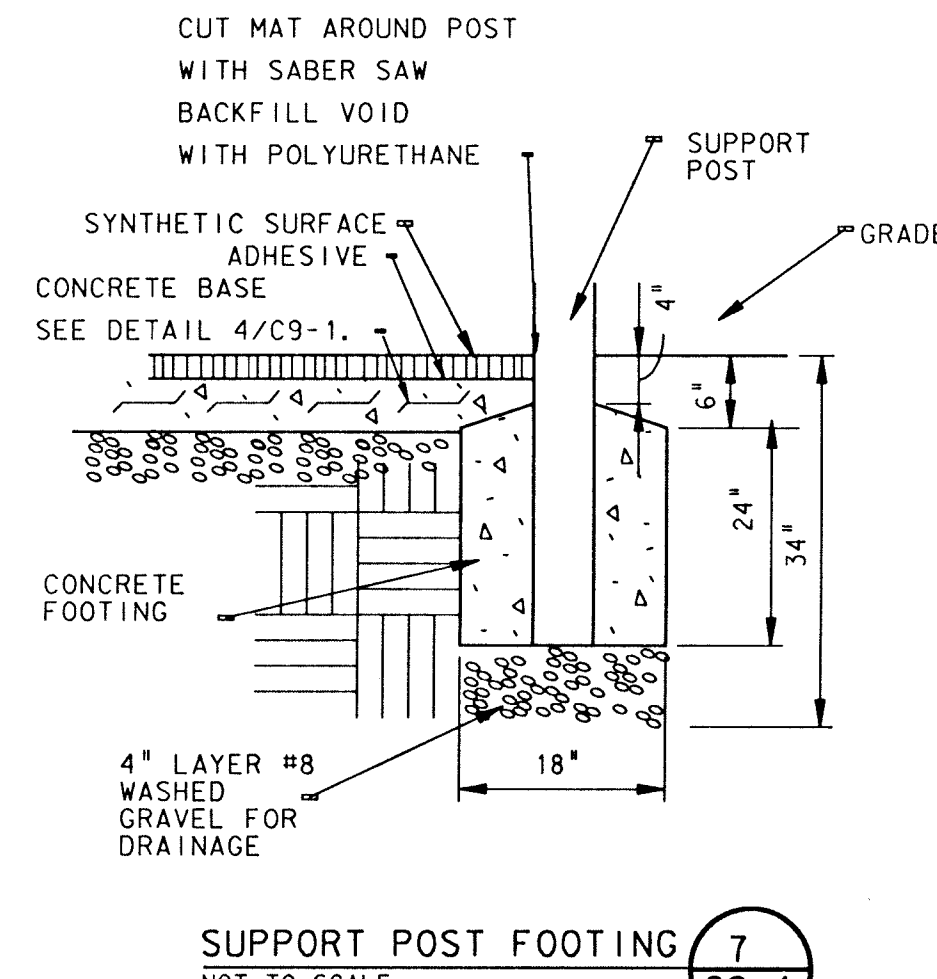


**SECTION 6**  
 NOT A PART OF THIS CONTRACT  
 CONTRACT #2 ALTERNATE #1

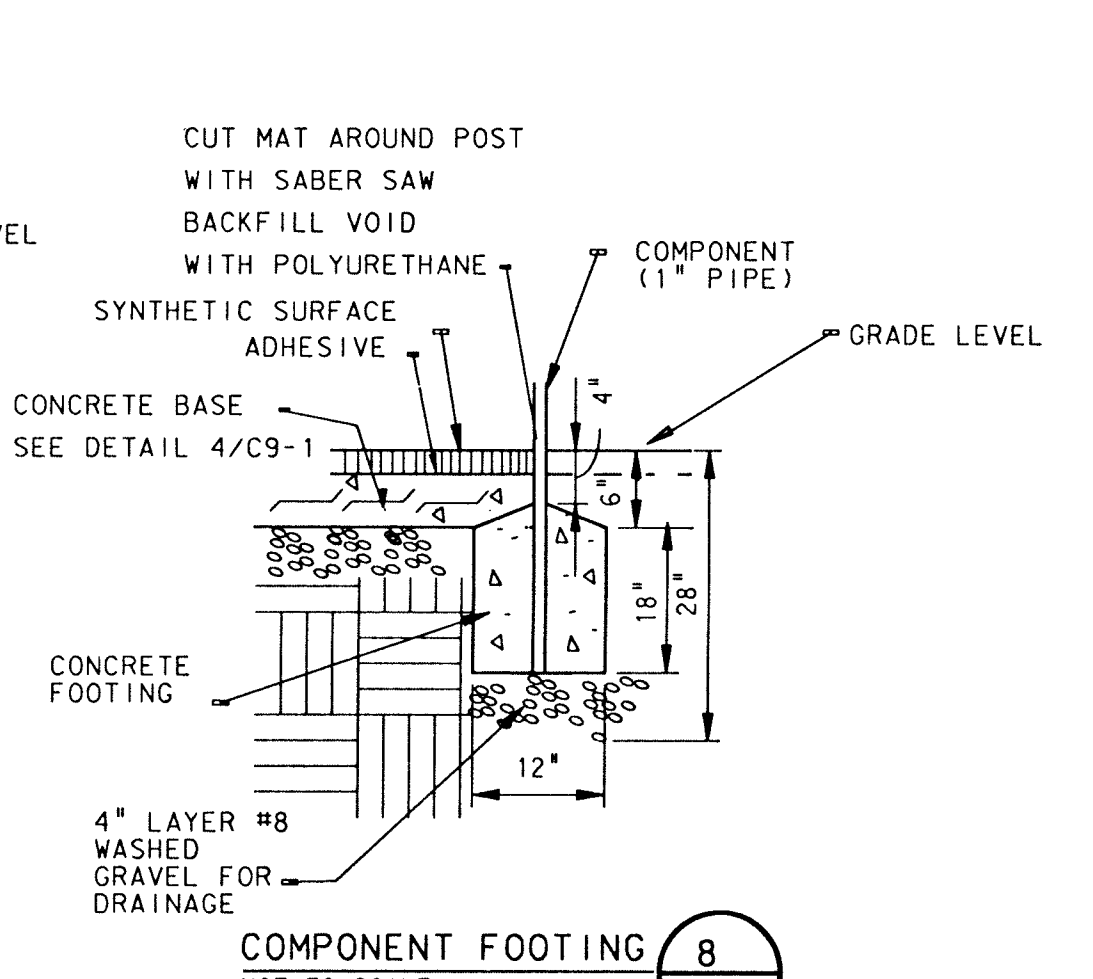
- DAYCARE NOTES:**
- 1 MINIMUM CUT OF SYNTHETIC SURFACE: 1'-0".
  - 2 WALL AND GATE, DETAILS ON SHEET C9-2 (BASE BID).
  - 3 61.5" OF UNDERDRAIN, DETAIL 5/C9-2. CONNECT TO MANHOLE #16 AT INVERT 854.90'.
  - 4 WORK IN THIS AREA IS A PART OF BASE BID.
  - 5 6" SPACING BETWEEN EQUIPMENT AND WALLS.
  - 6 24" PLAY SAND - DETAIL 6/C9-1.



**DAYCARE EQUIPMENT**  
 SCALE: 1" = 10'  
 CONTRACT #2 ALTERNATE #1 EXCEPT AS NOTED



**SUPPORT POST FOOTING 7**  
 NOT TO SCALE  
 CONTRACT #2 ALTERNATE #1



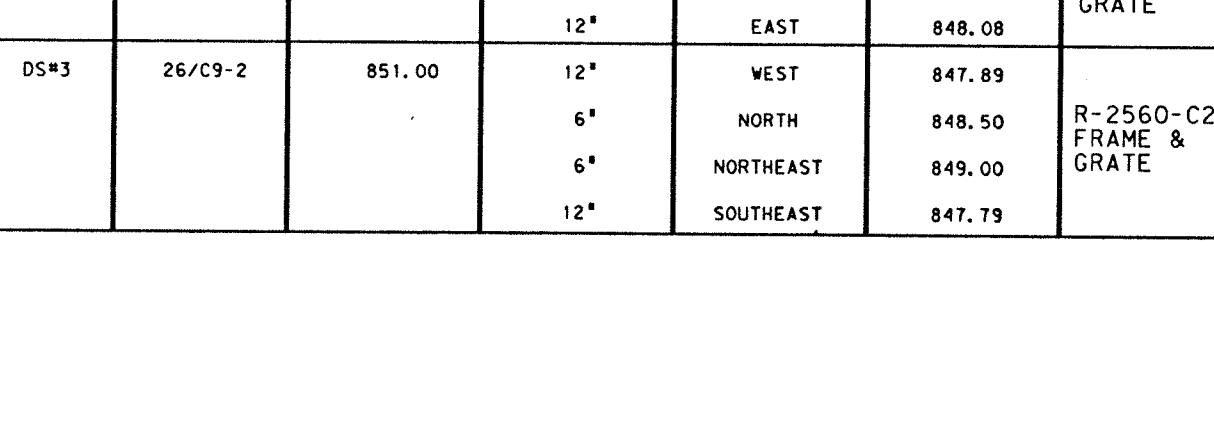
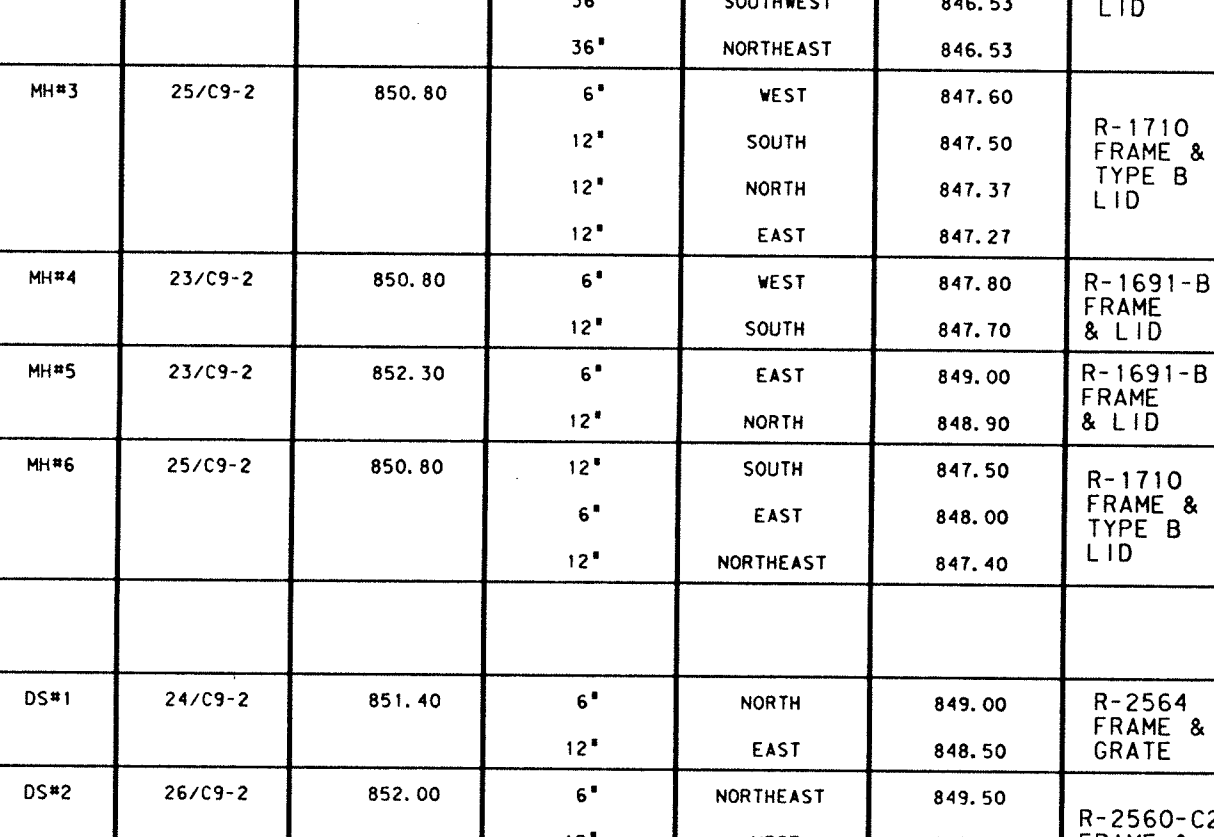
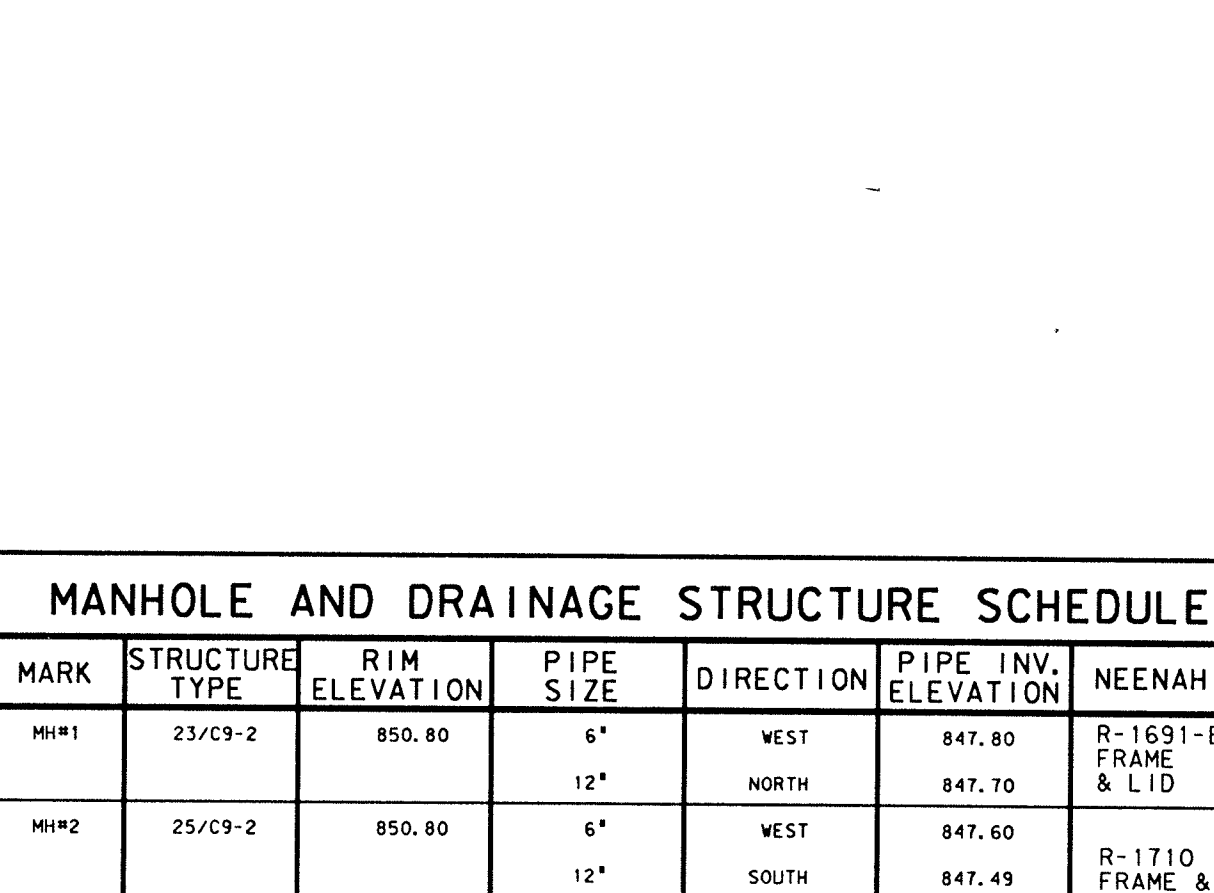
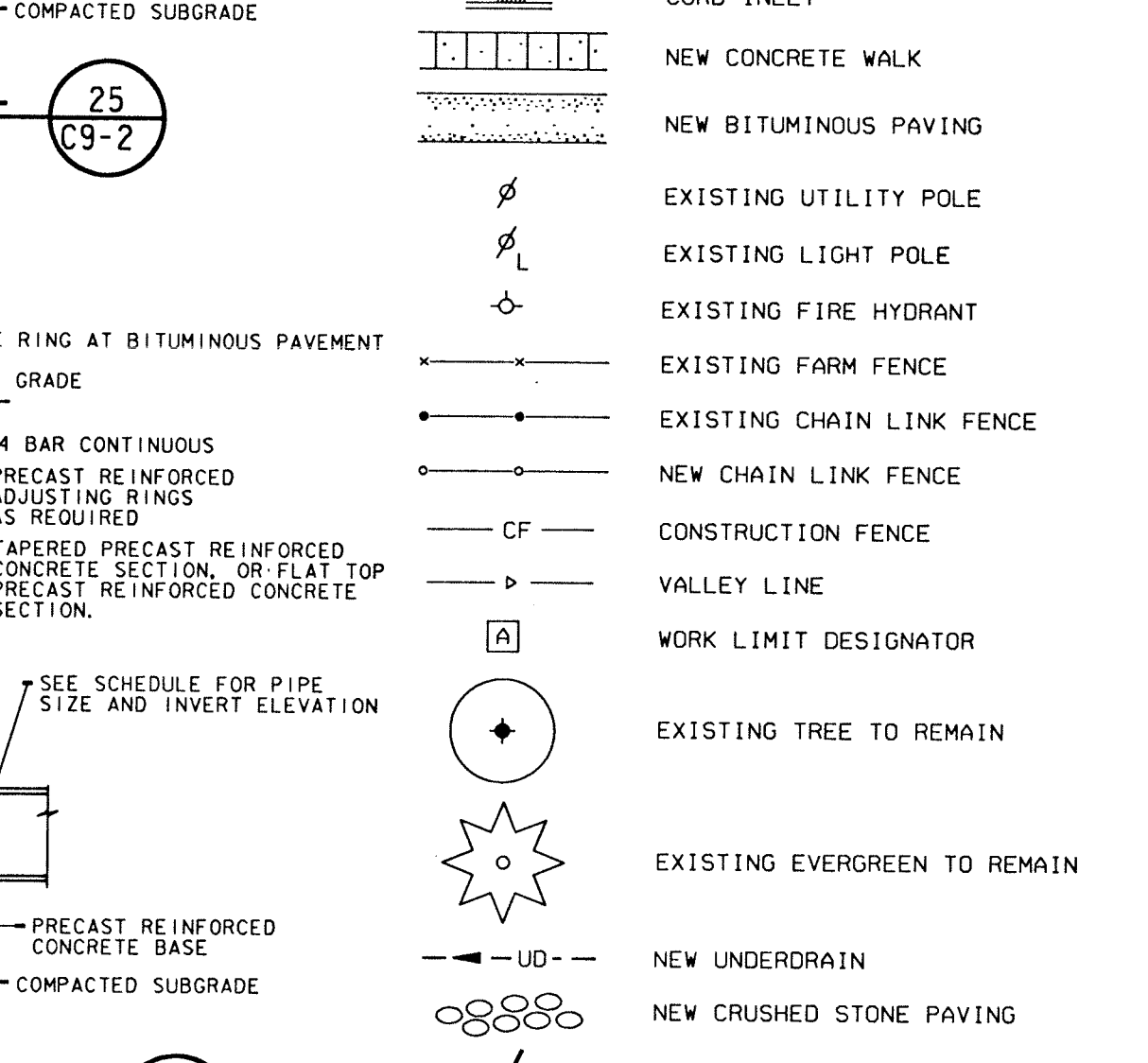
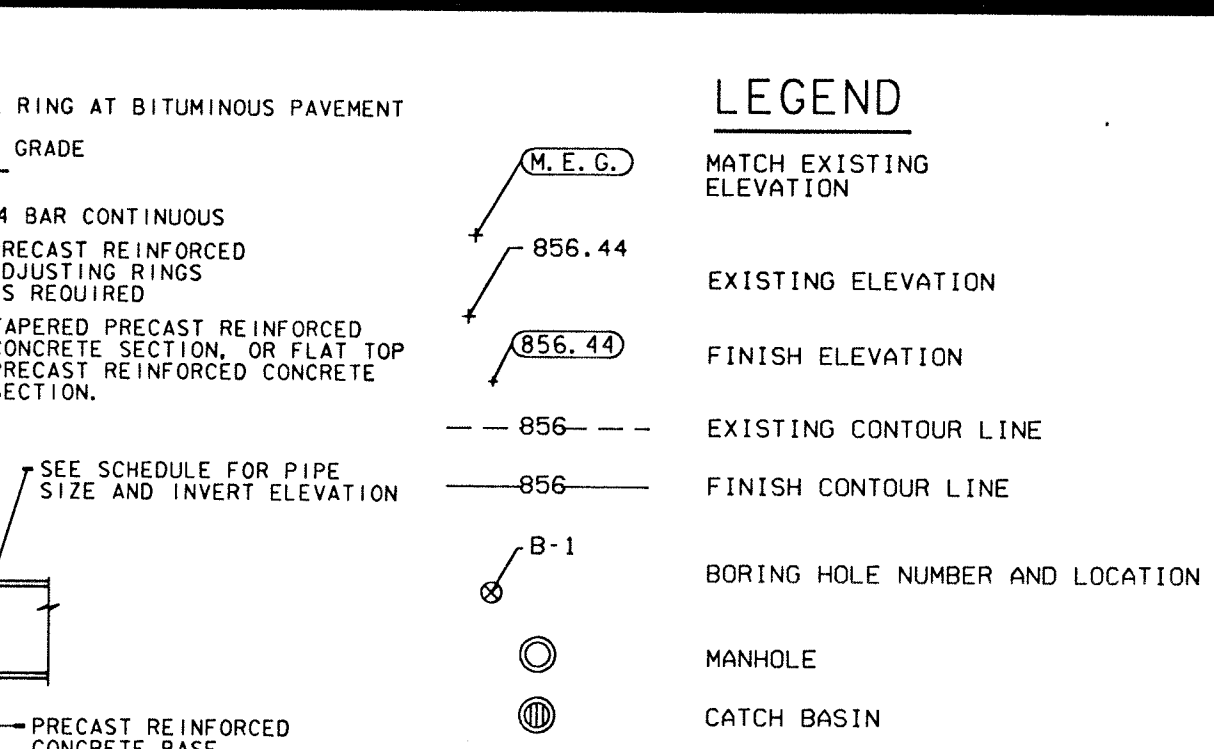
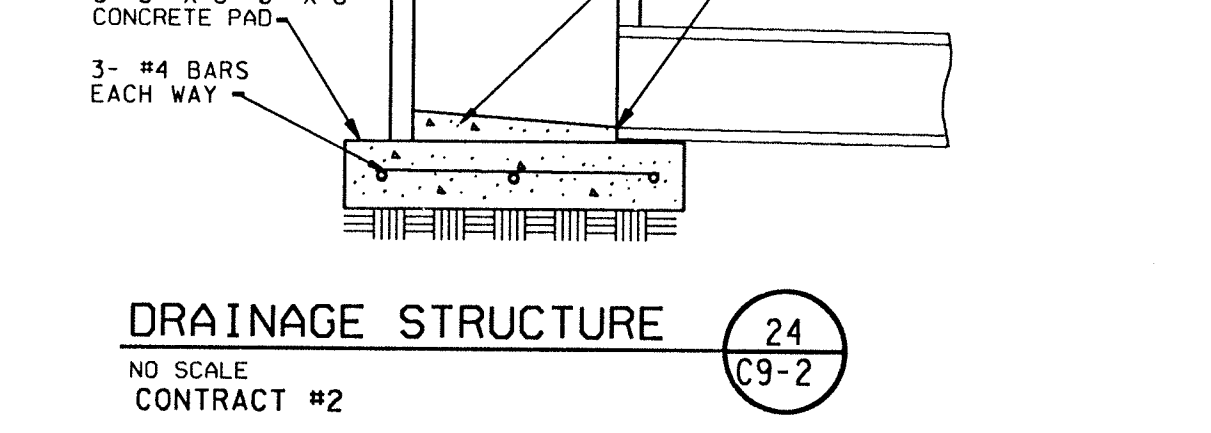
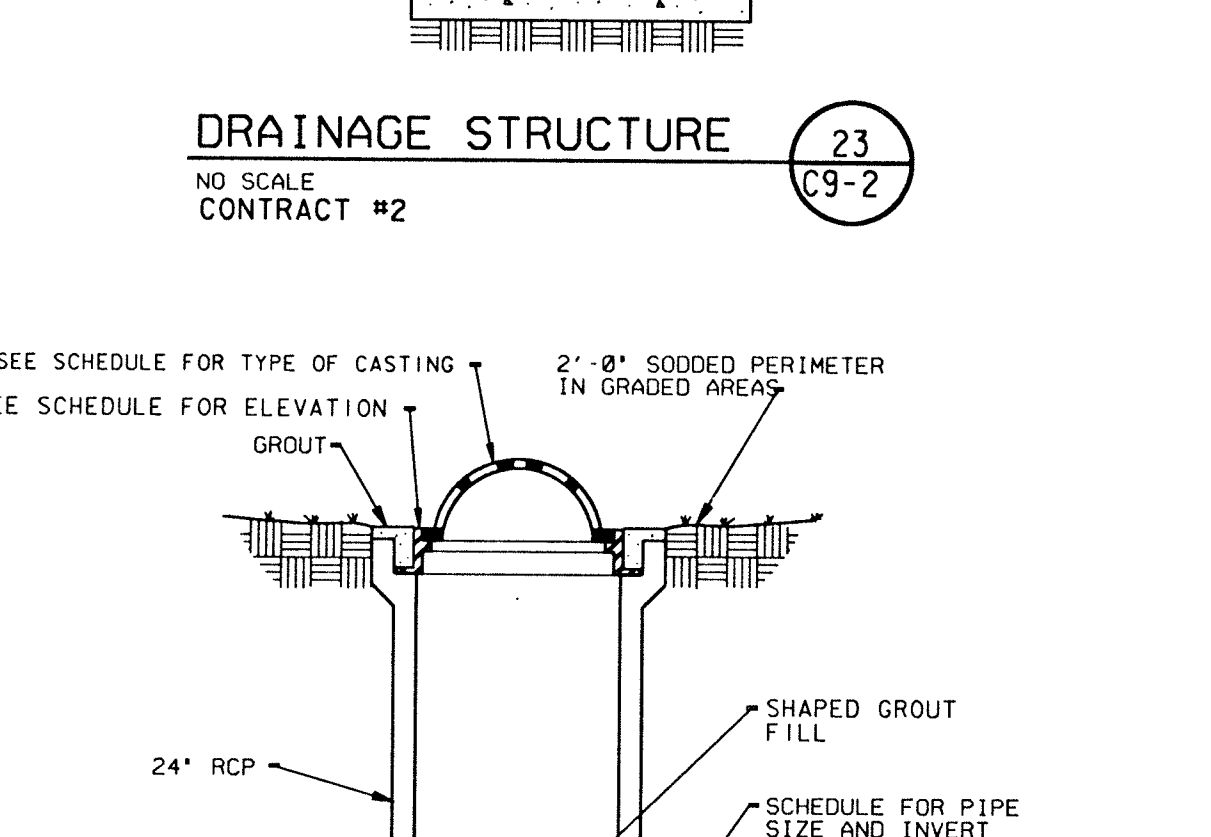
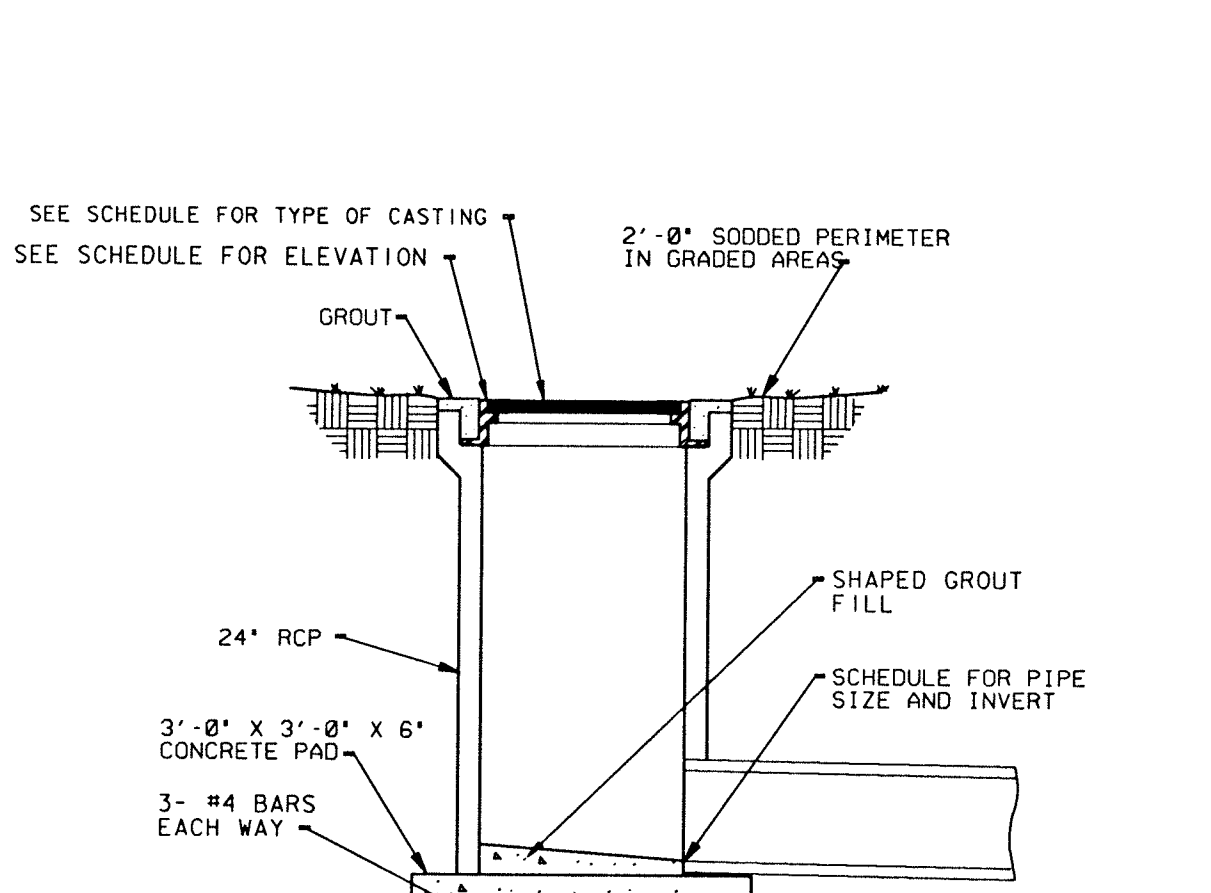
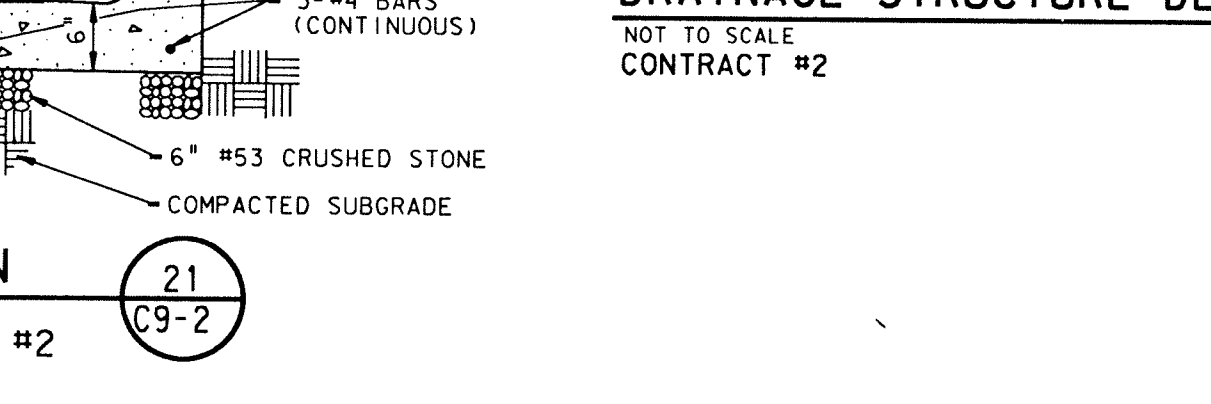
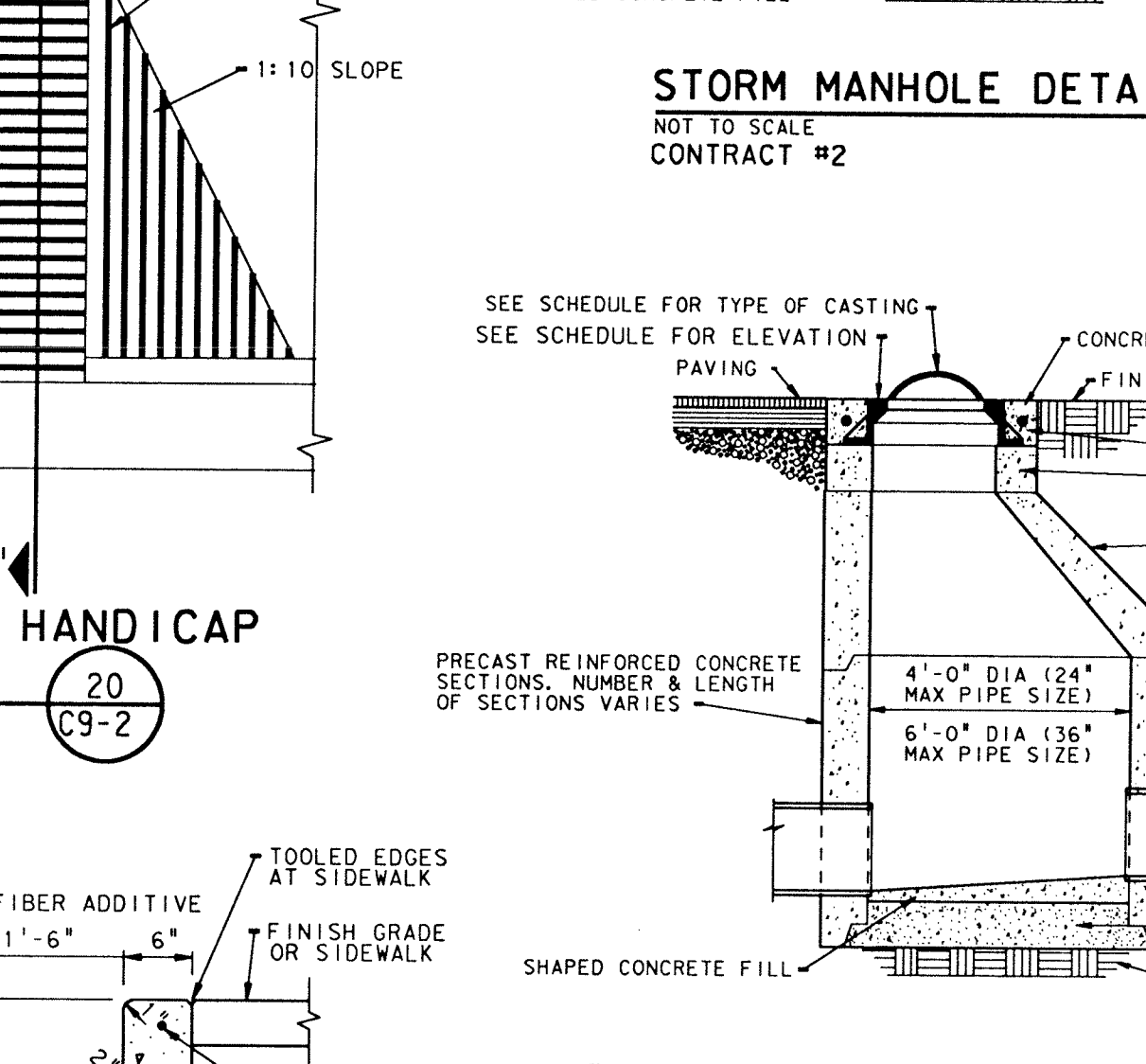
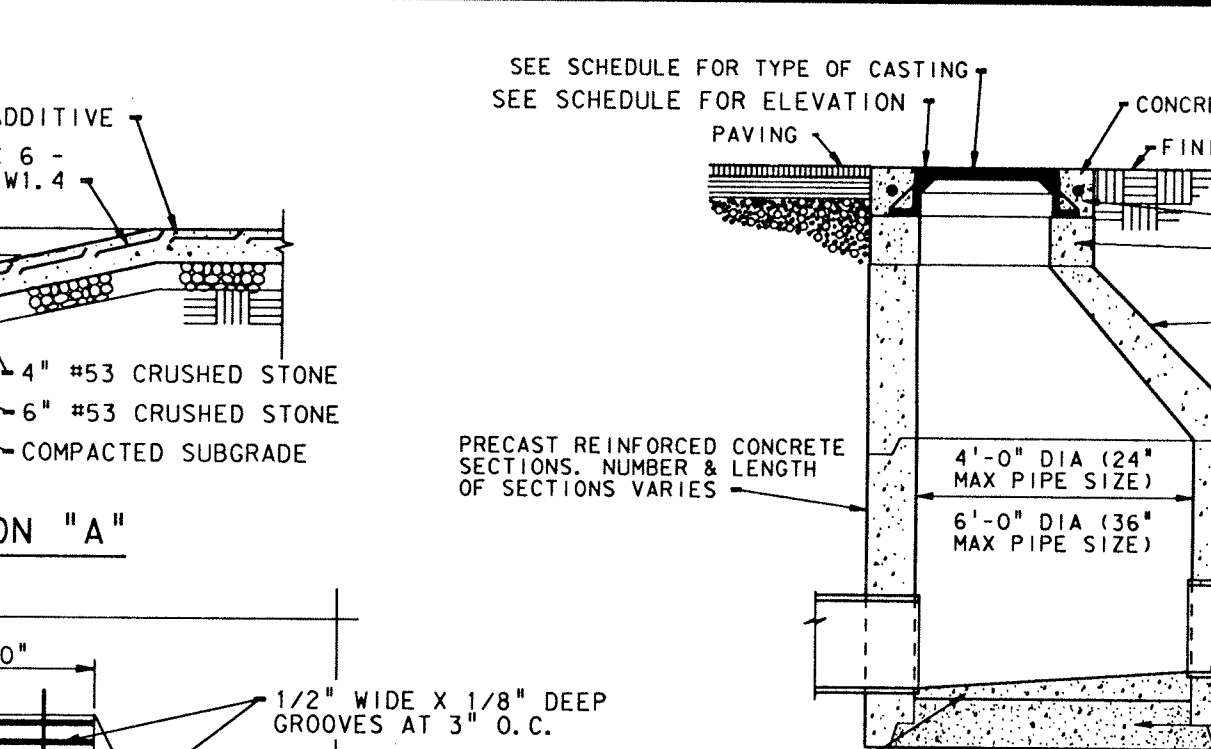
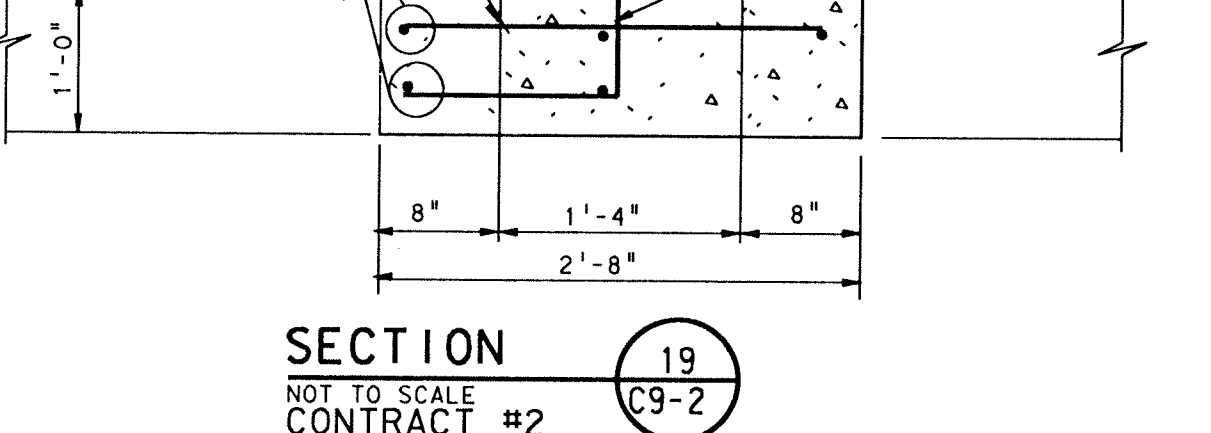
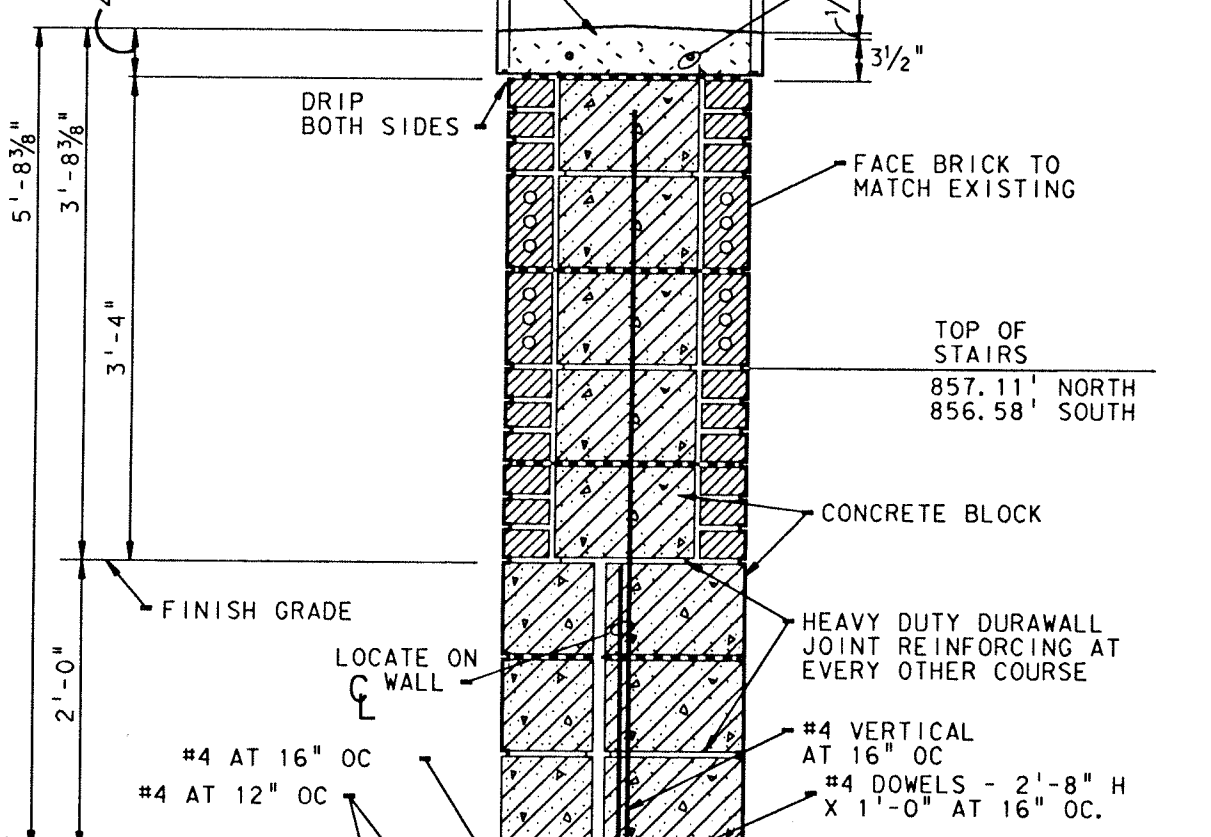
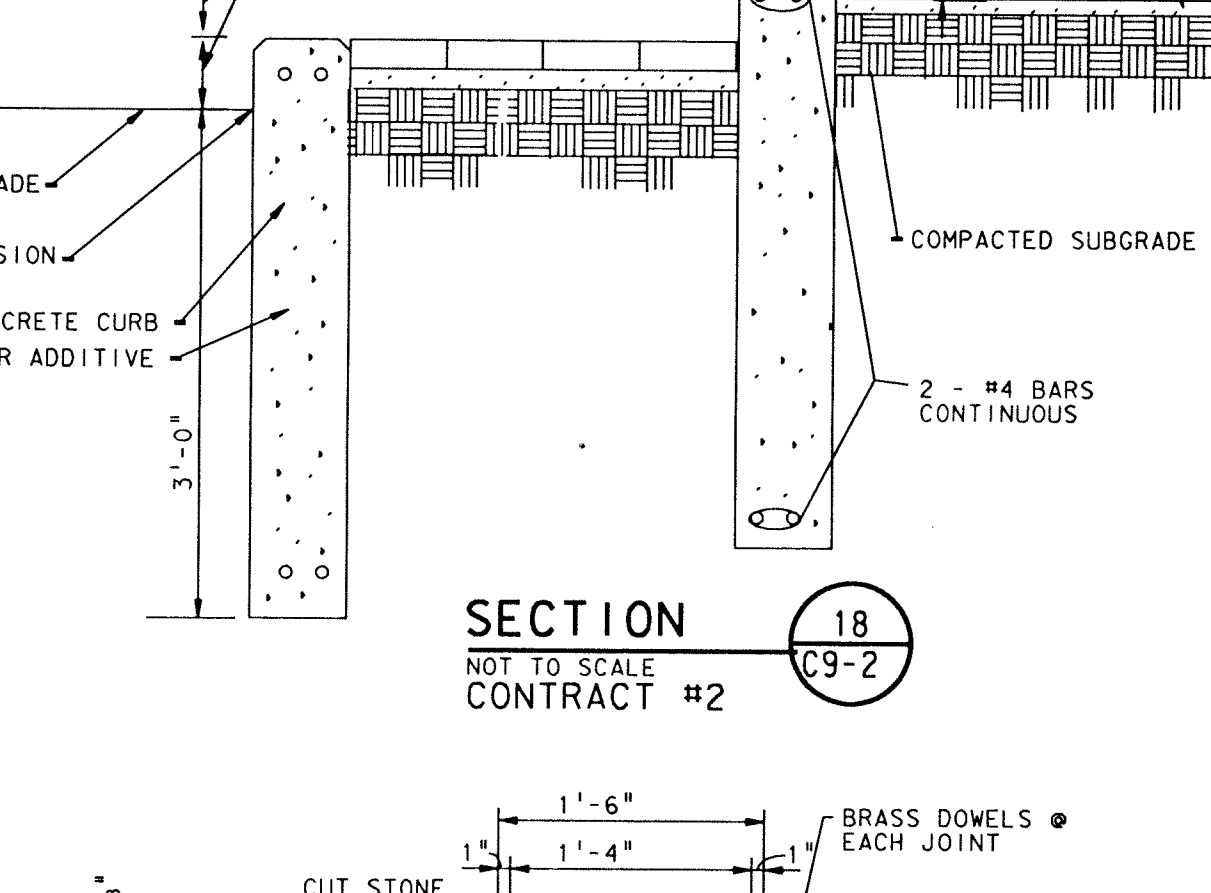
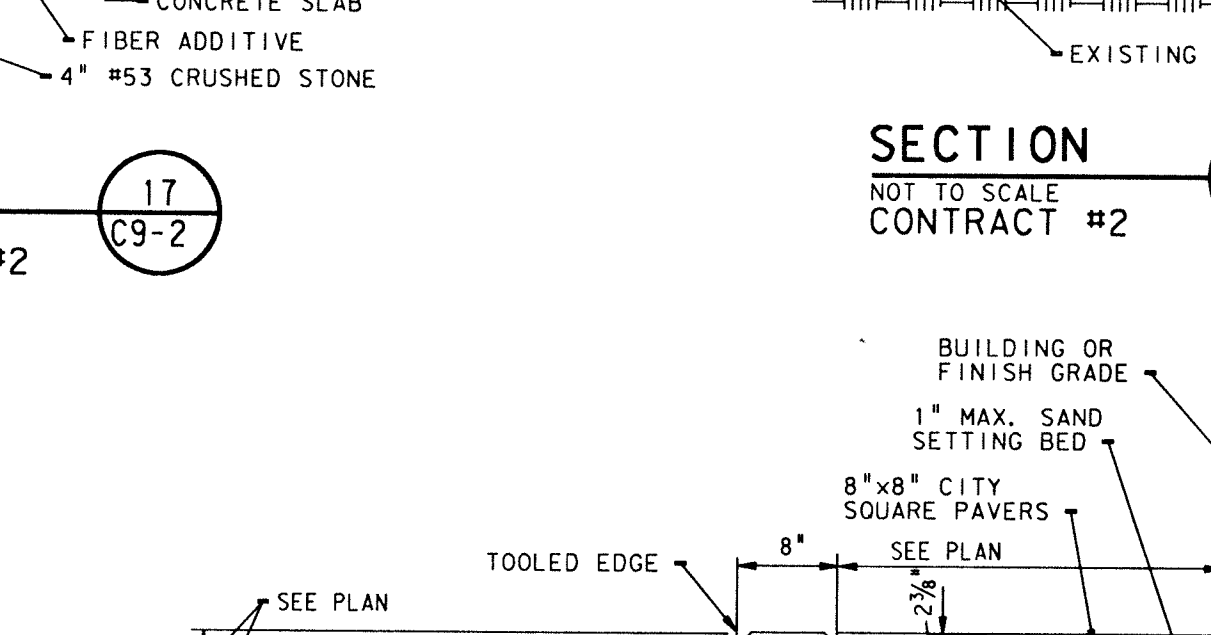
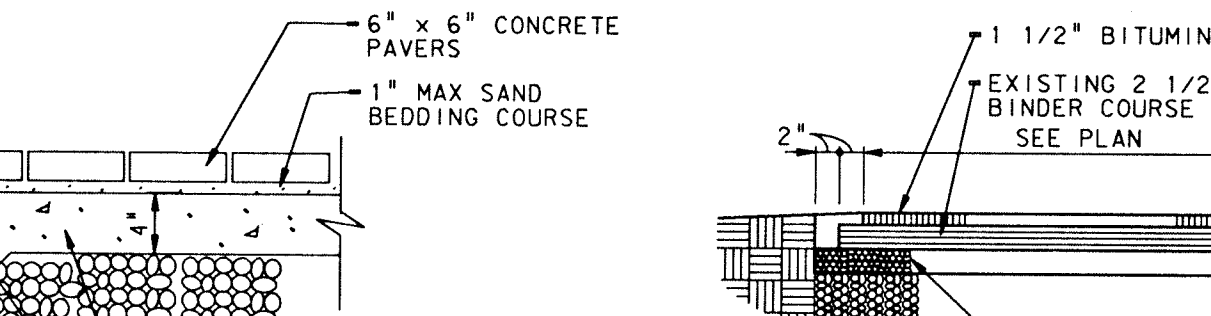
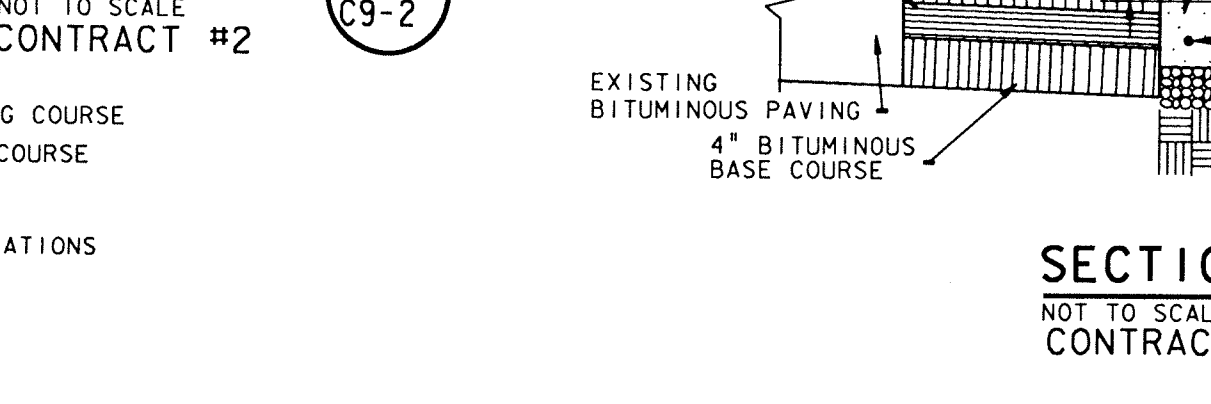
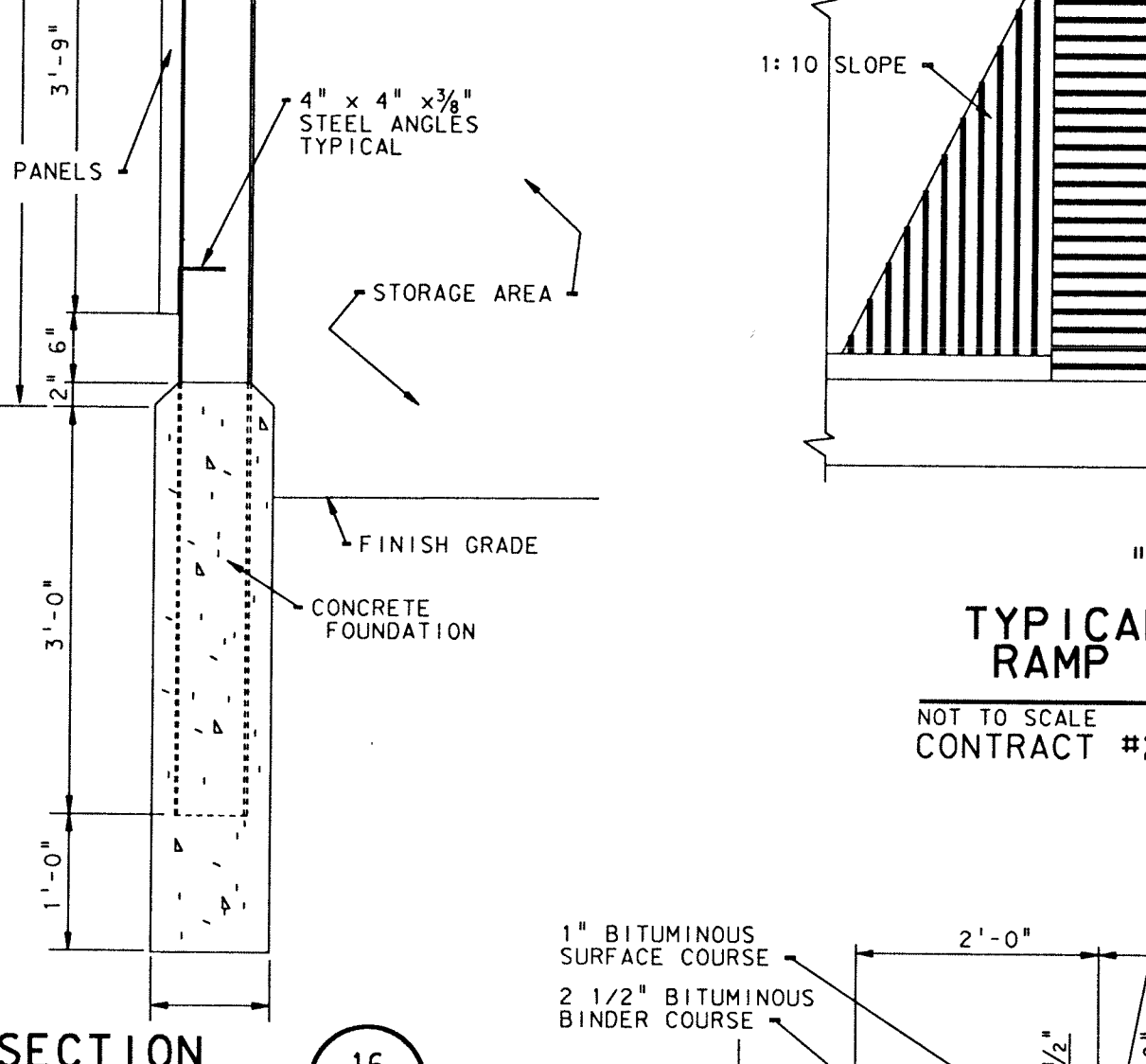
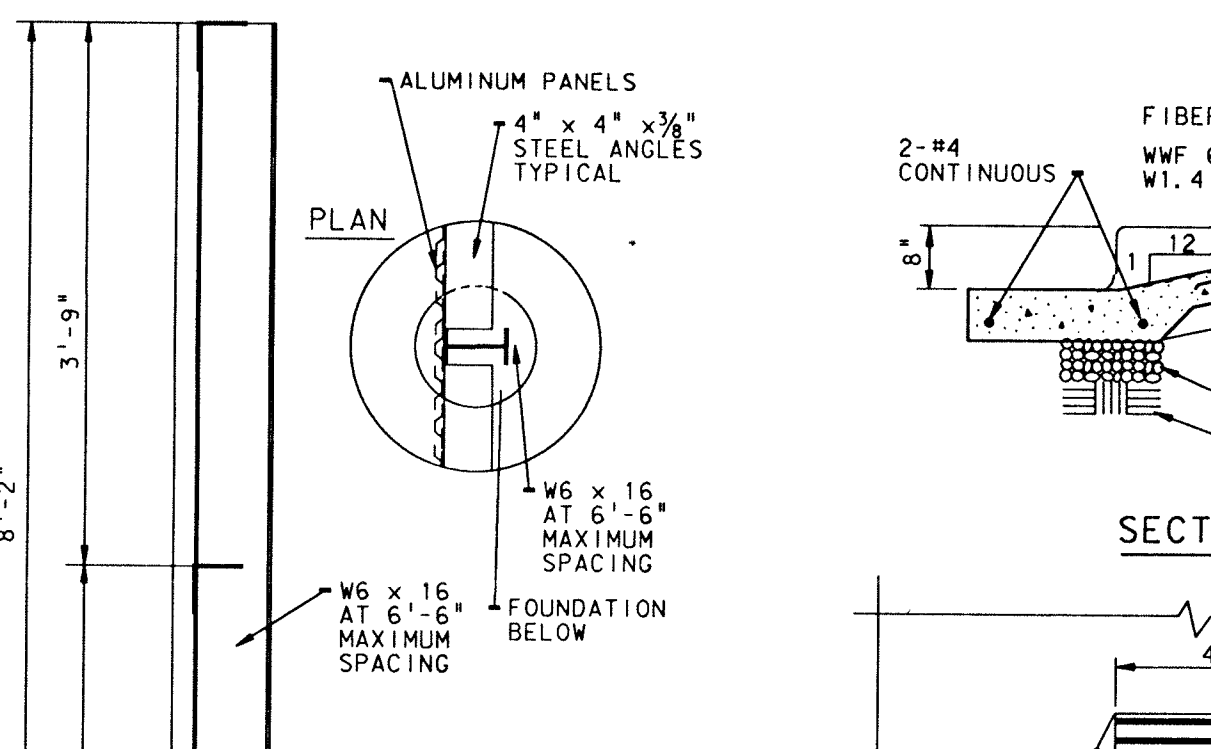
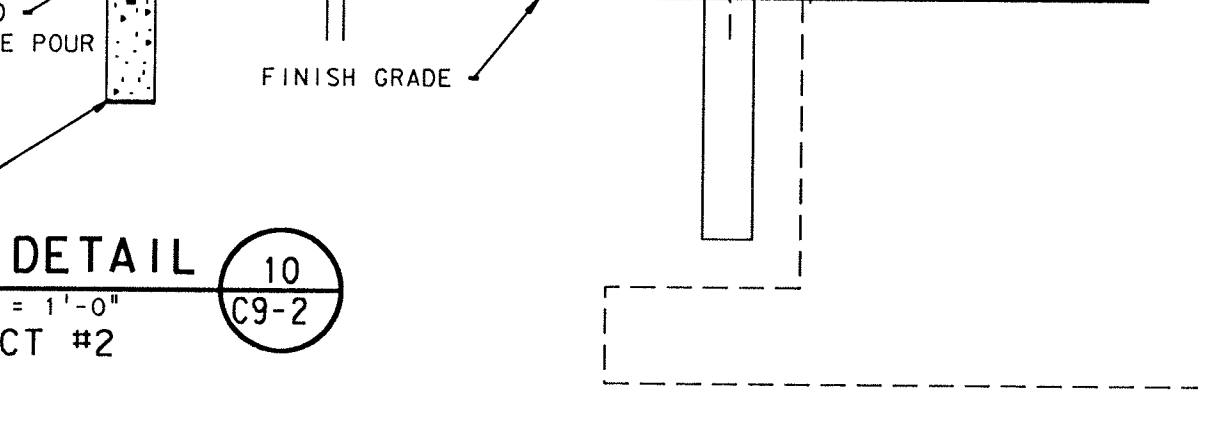
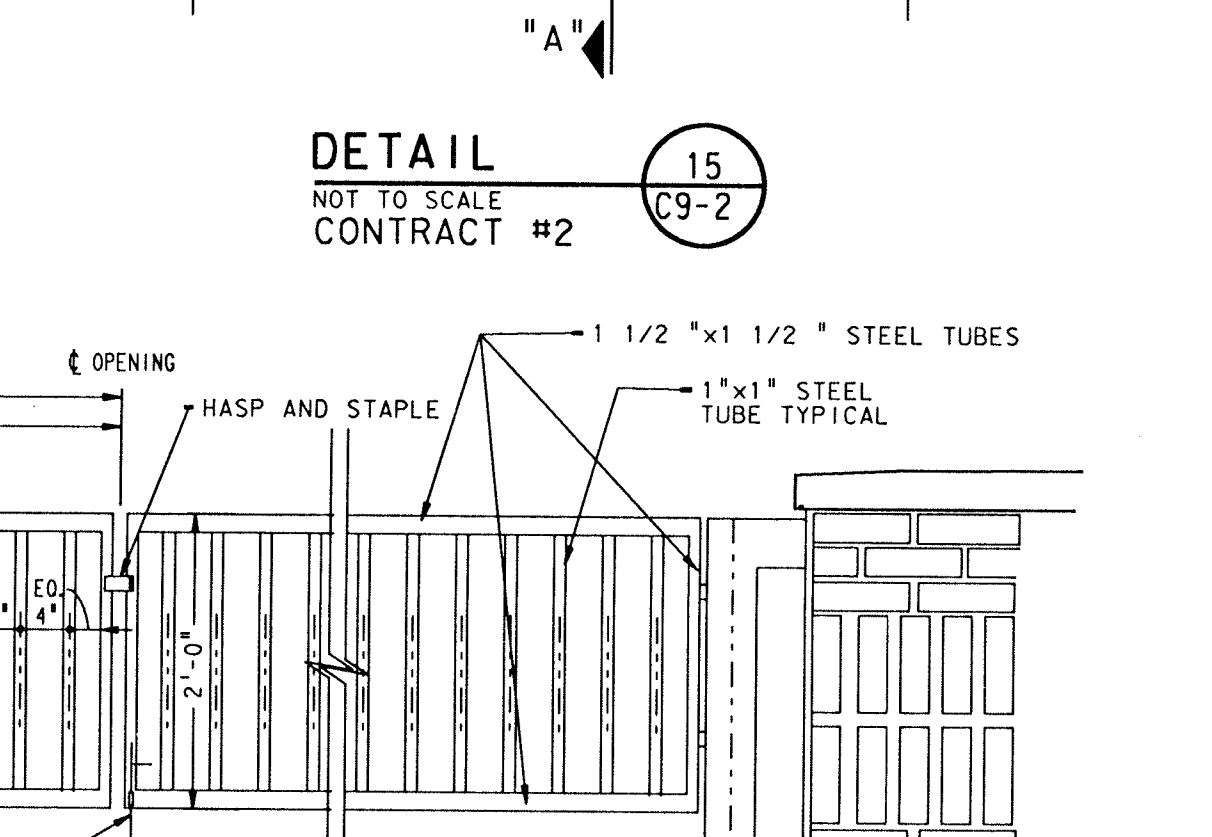
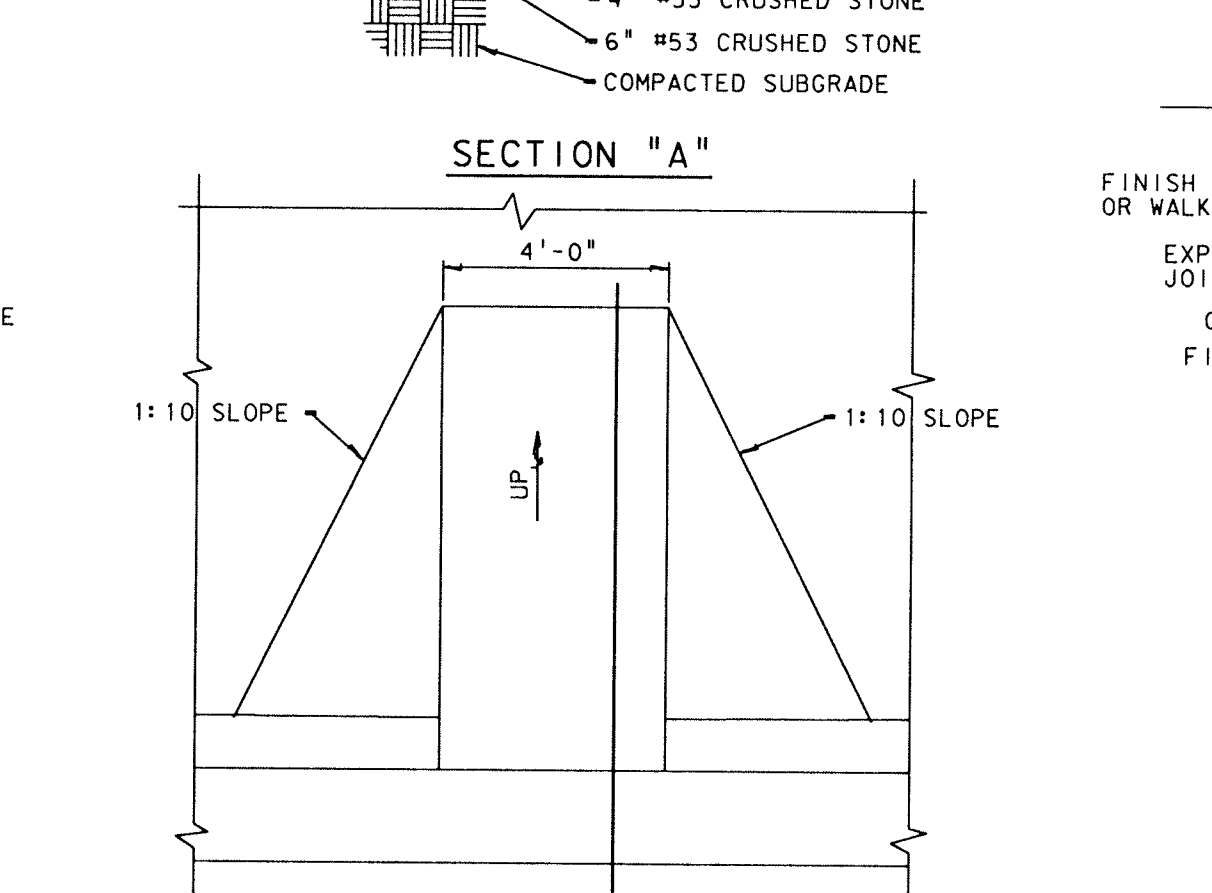
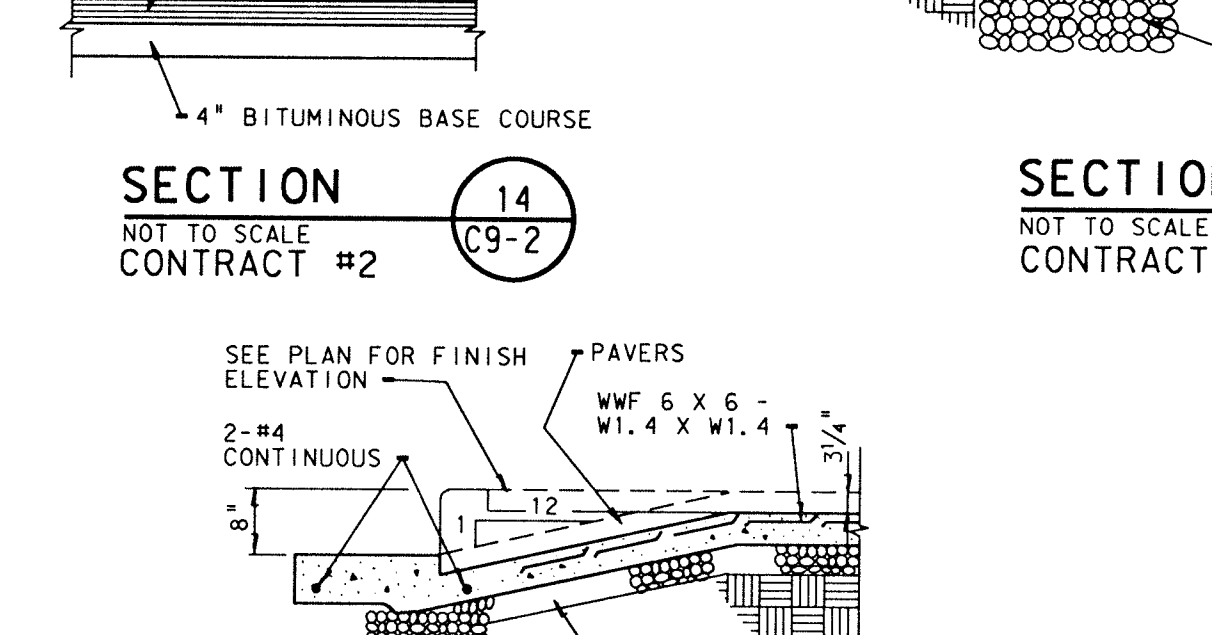
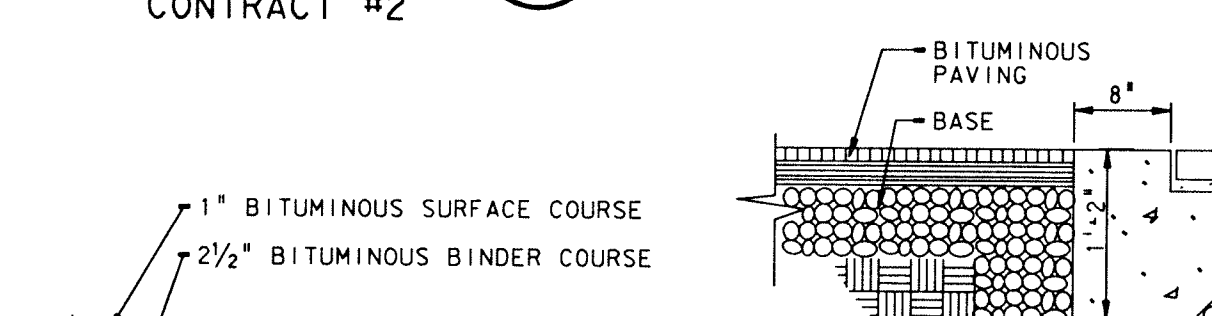
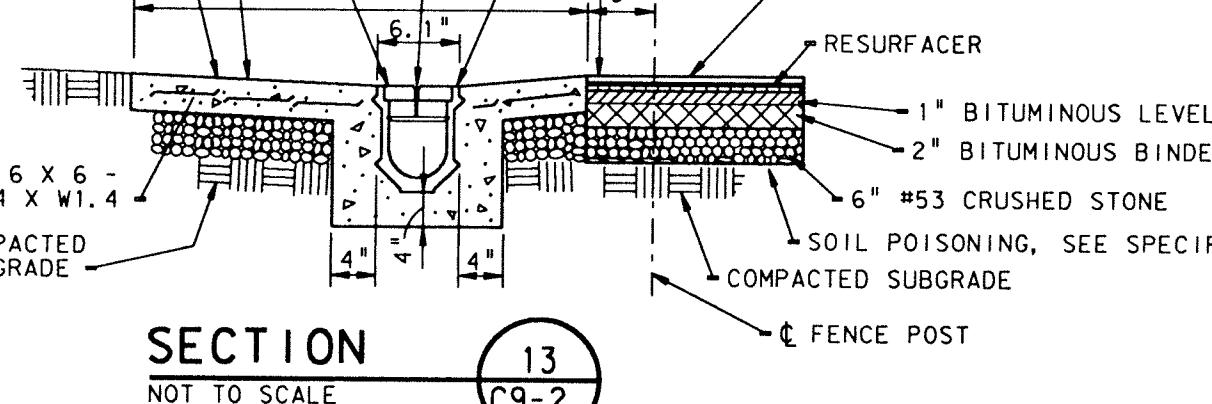
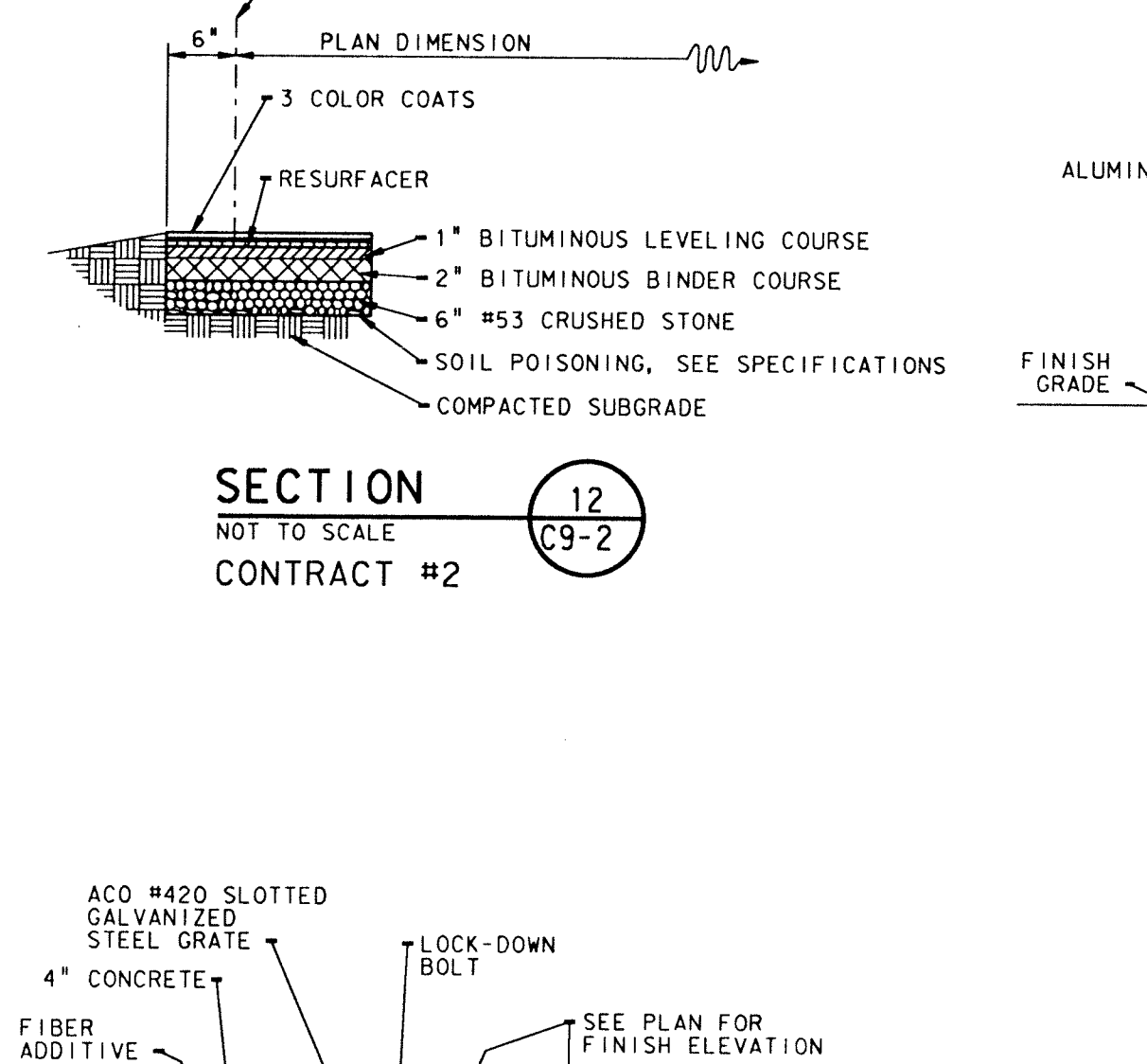
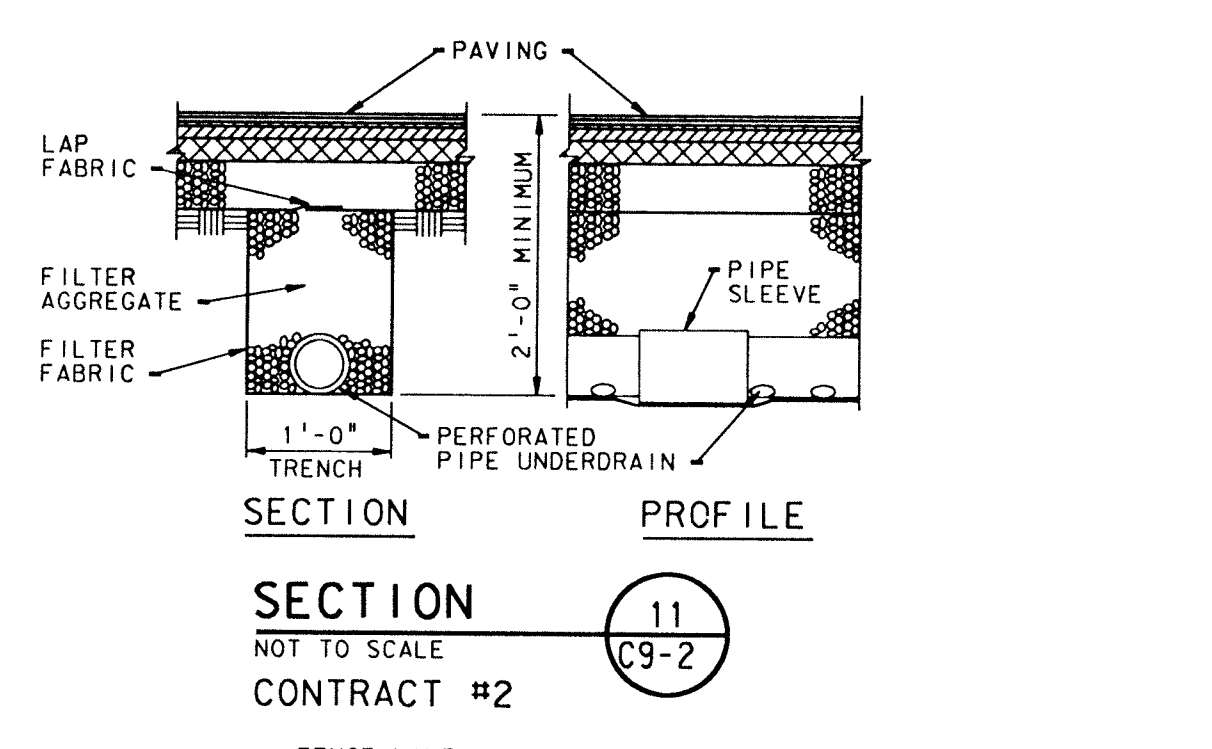
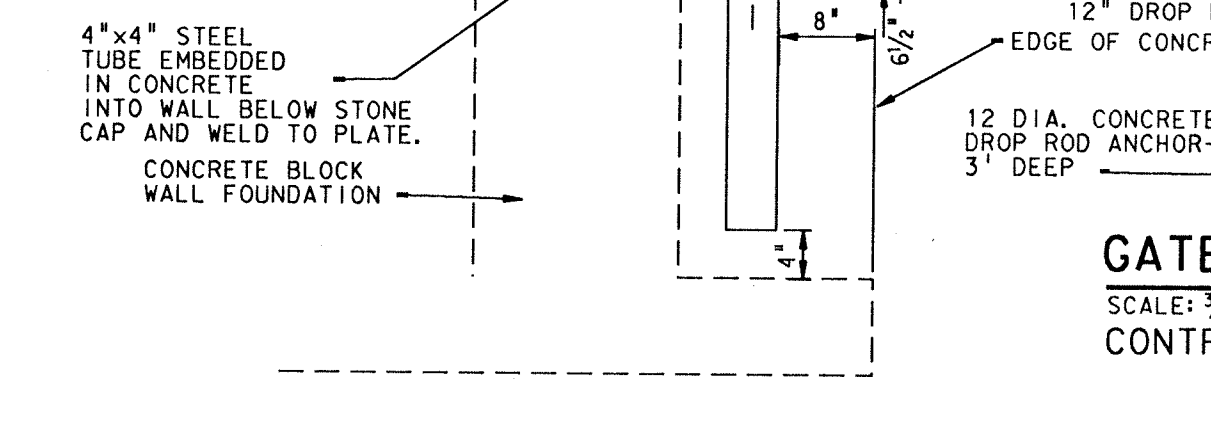
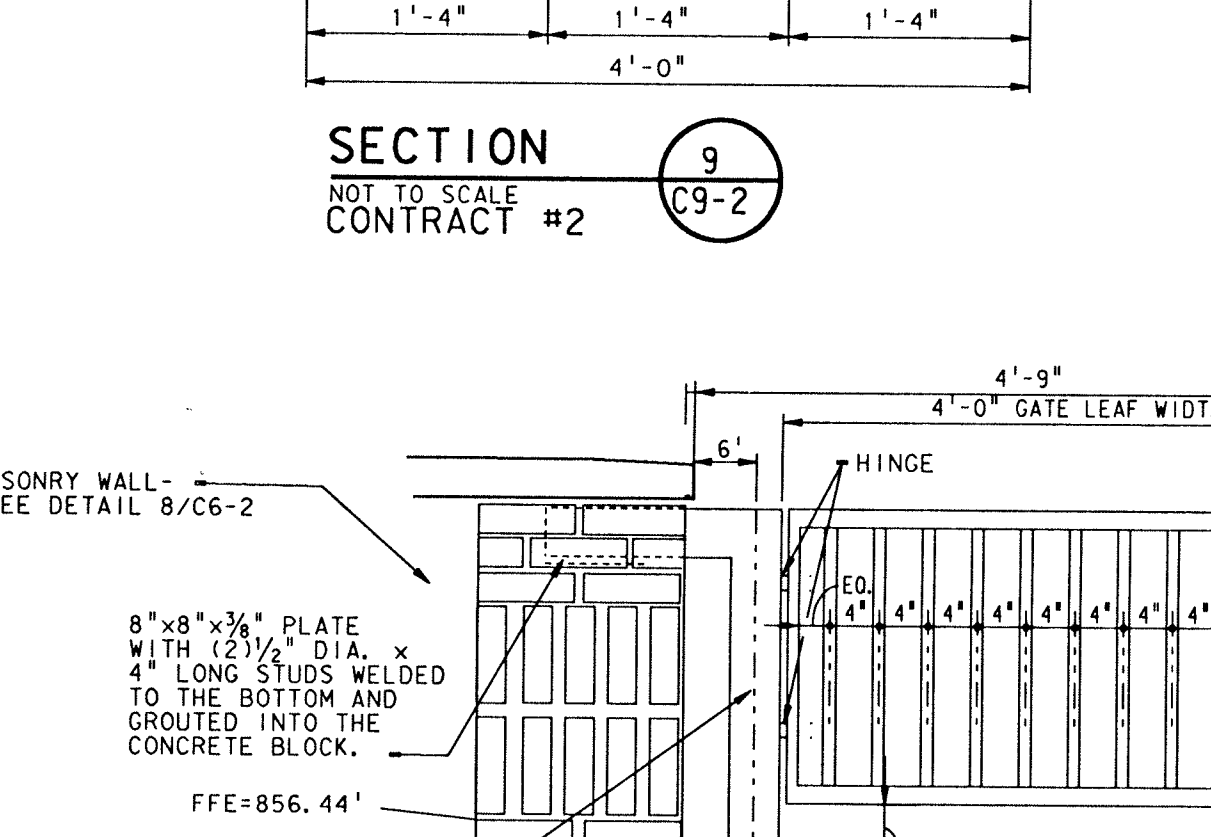
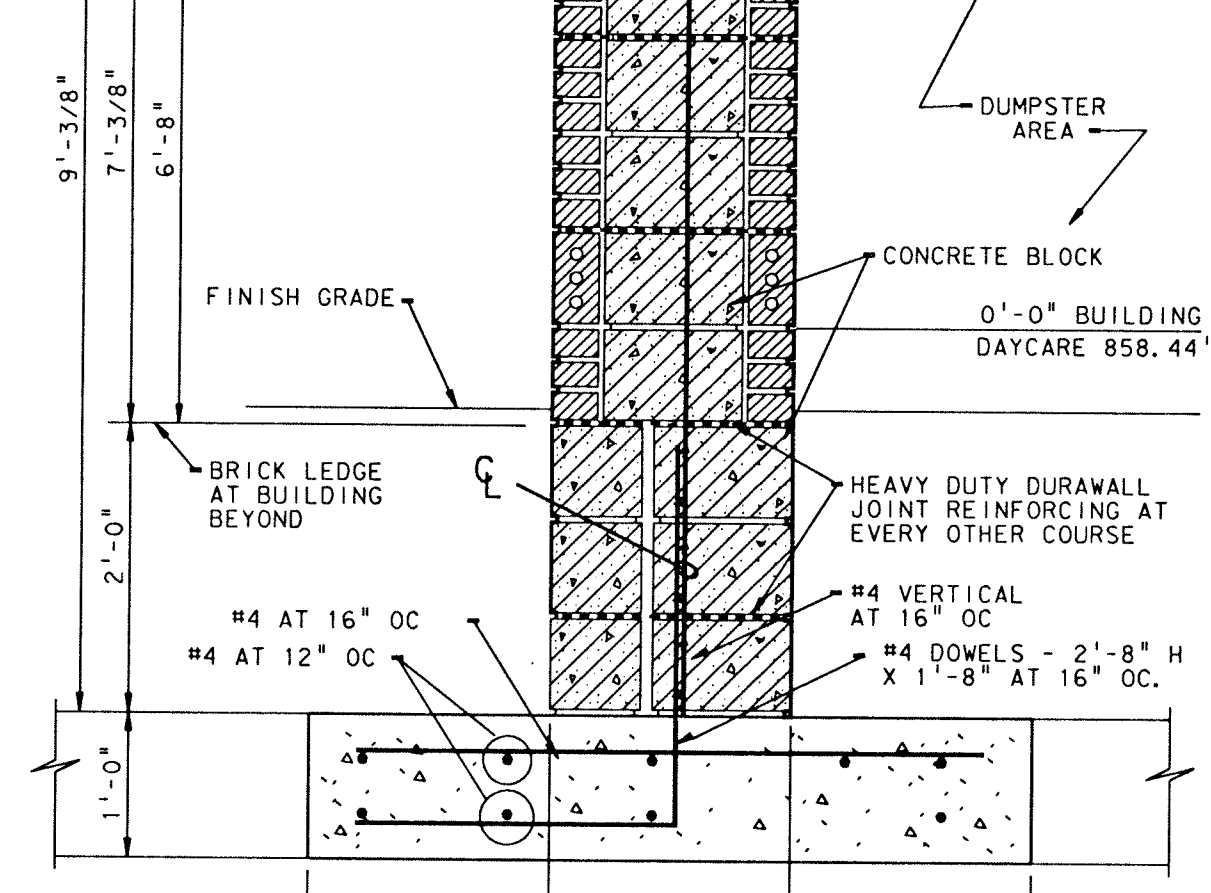
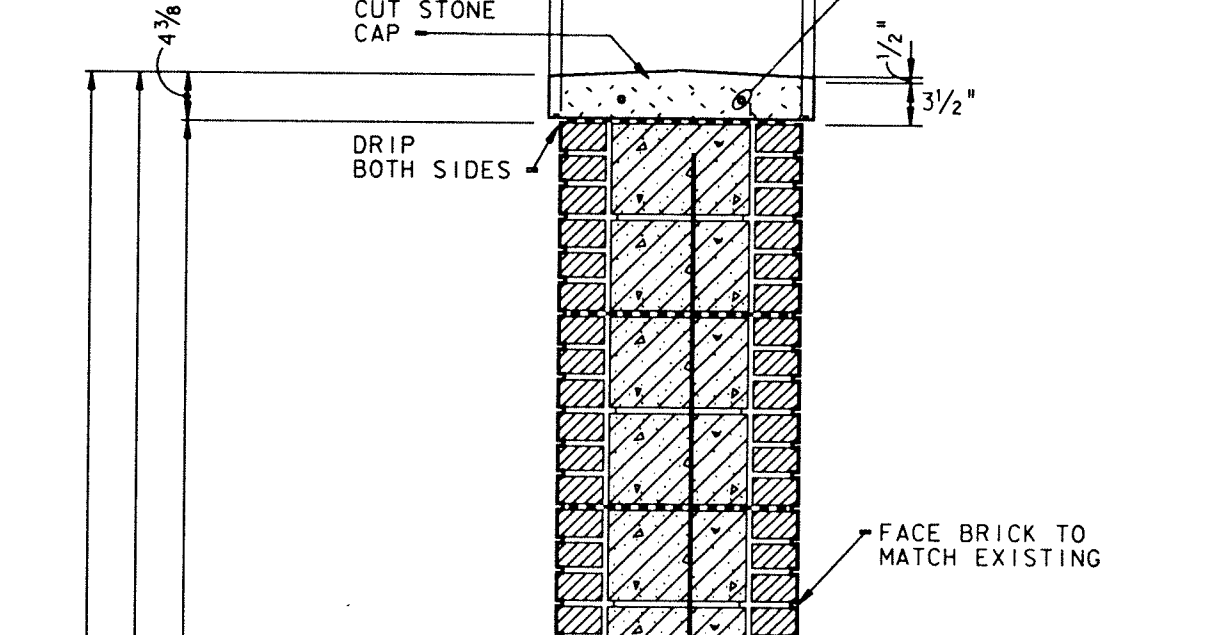
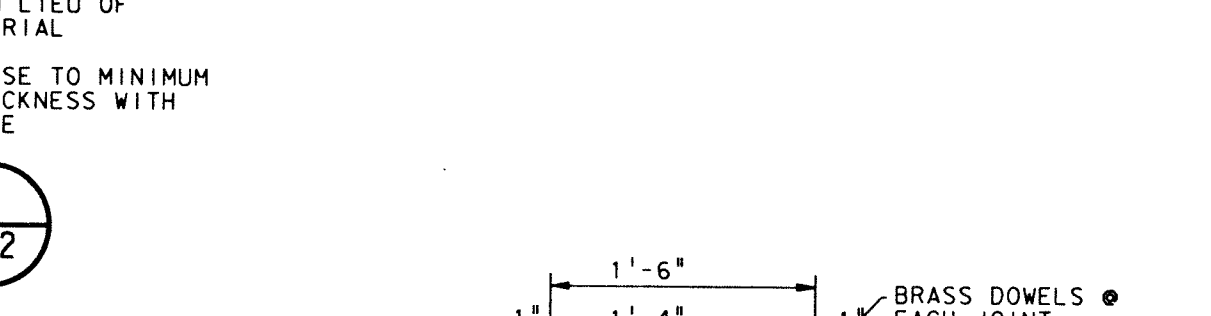
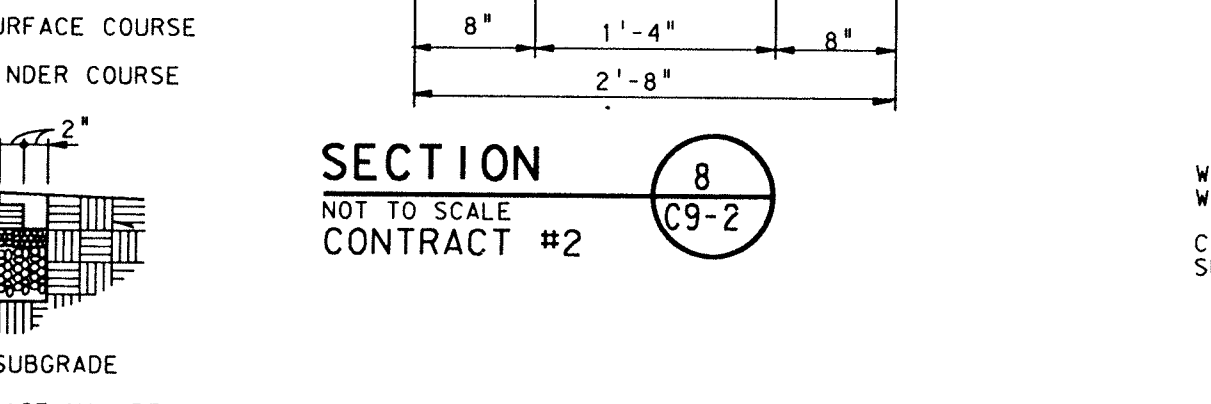
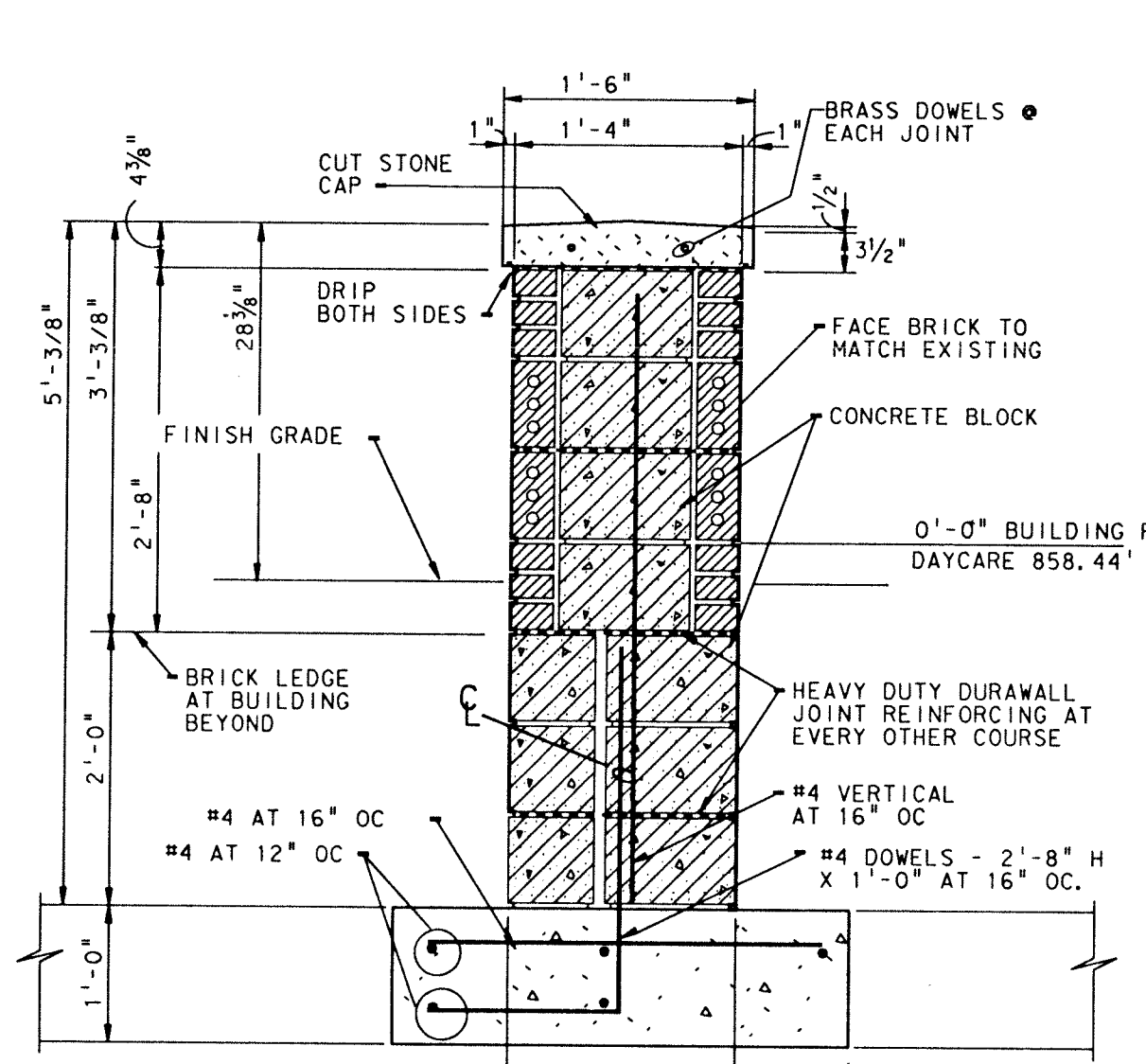
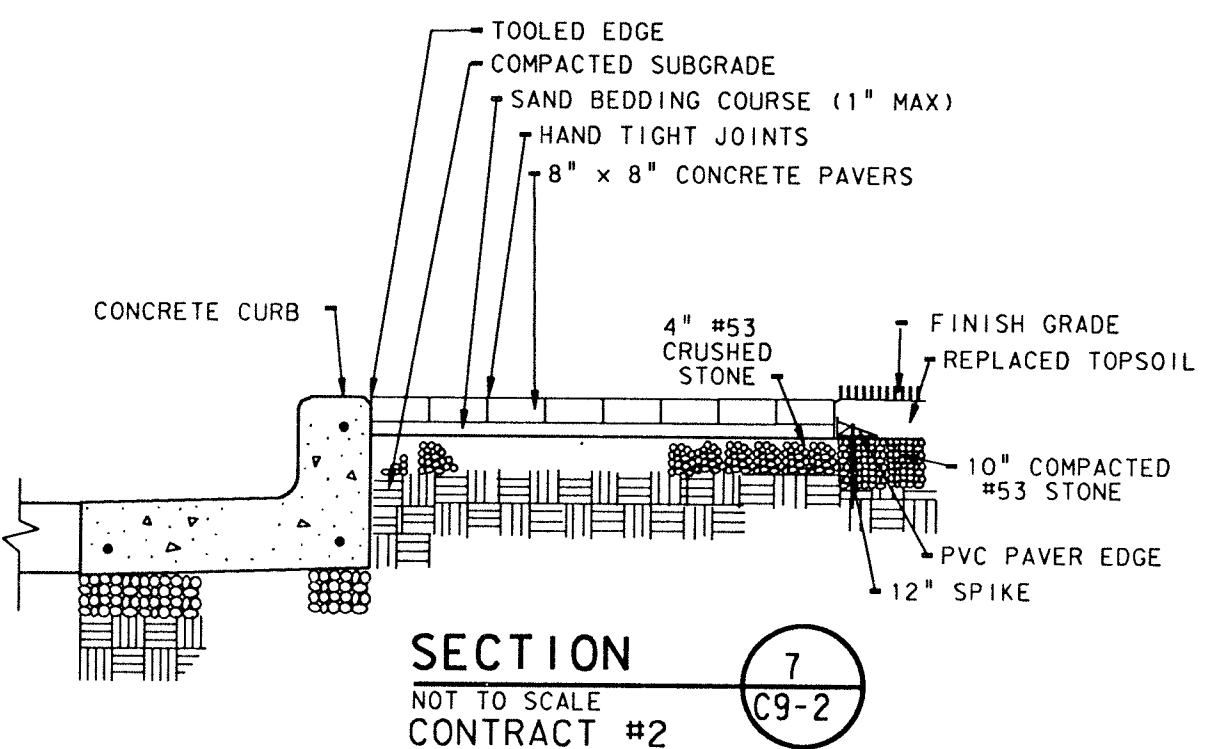
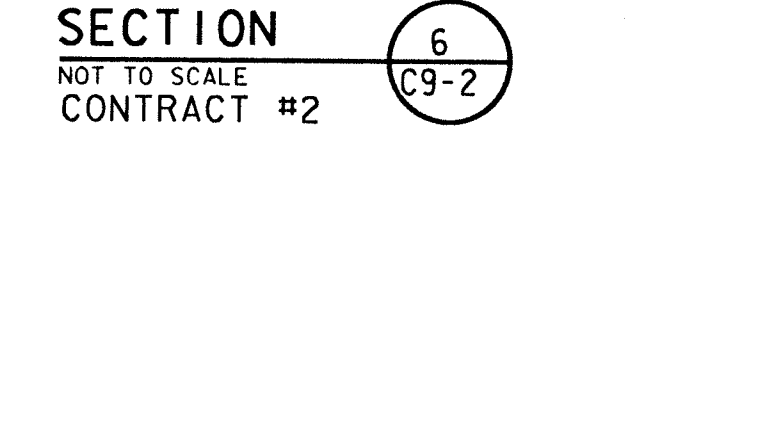
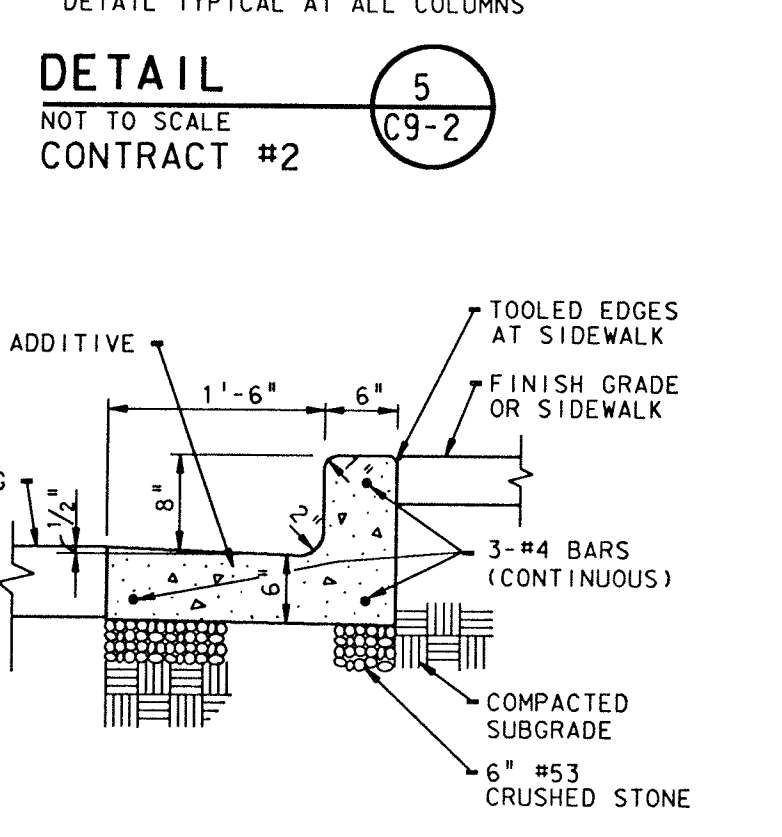
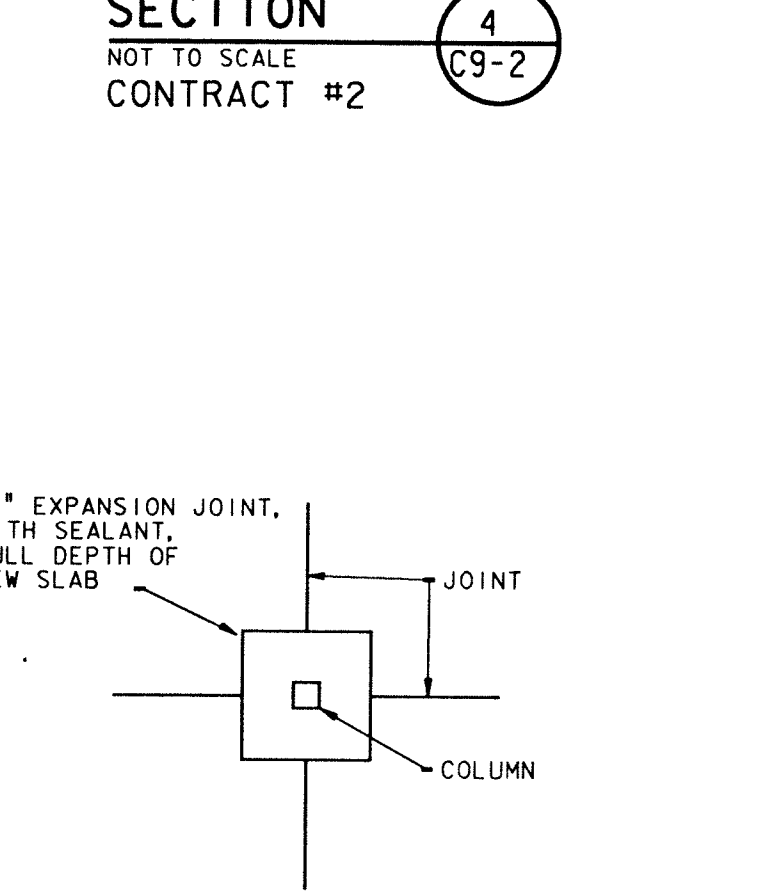
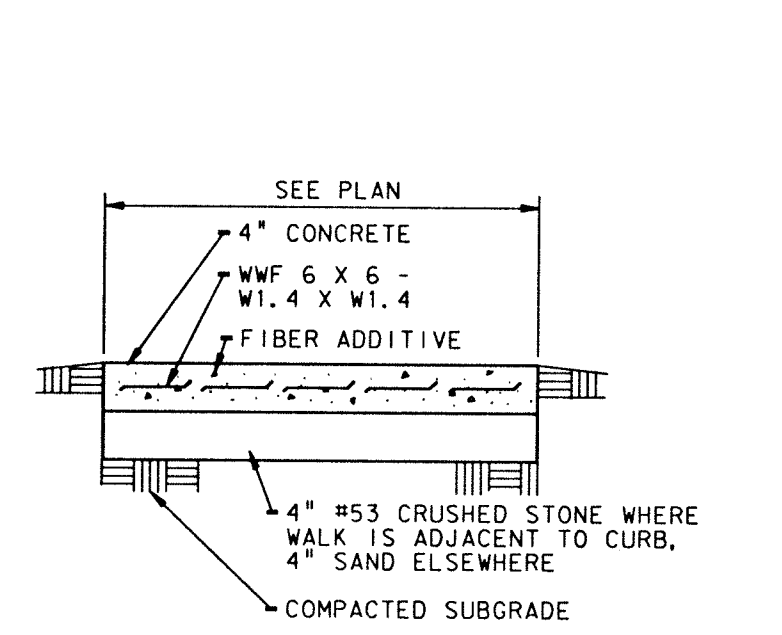
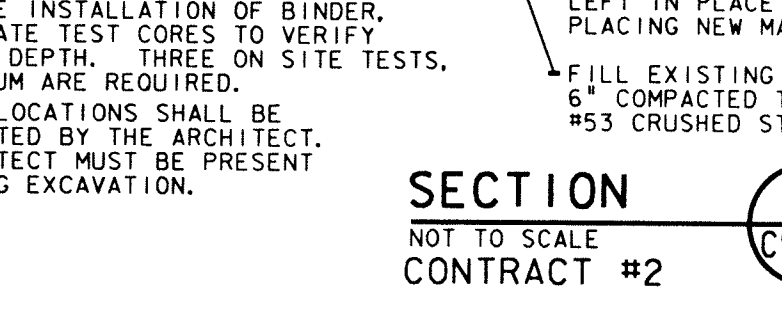
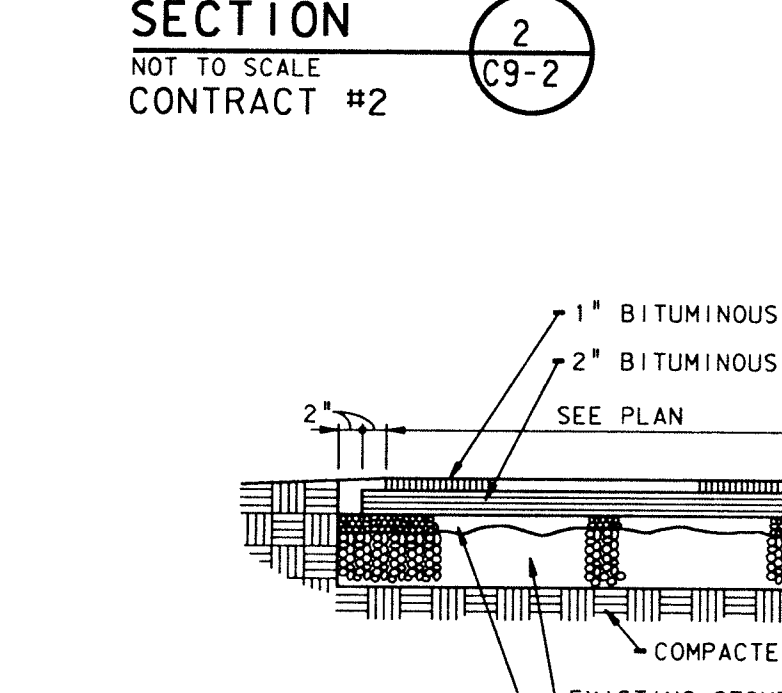
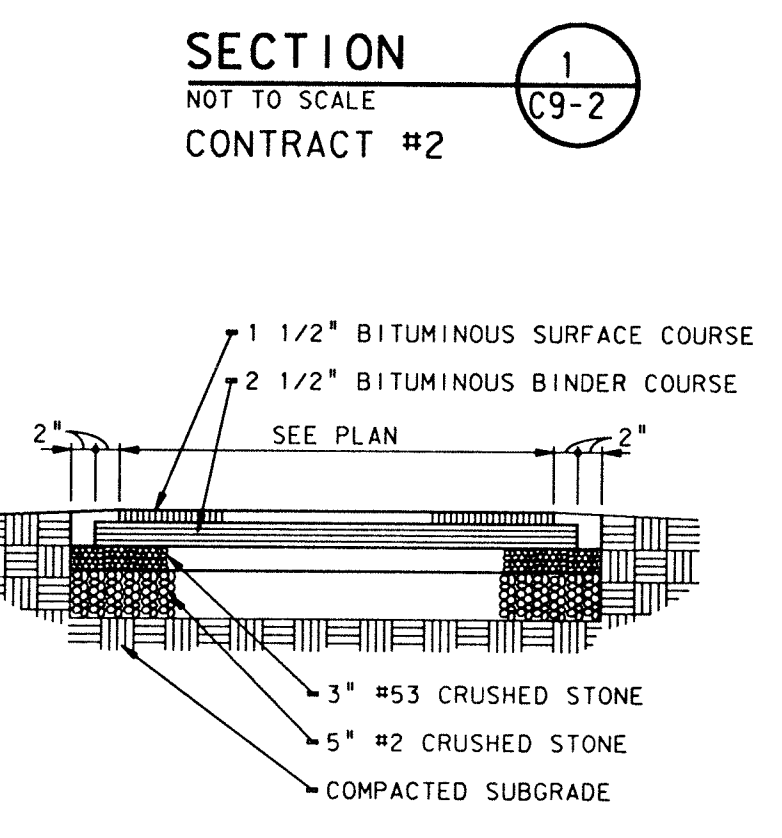
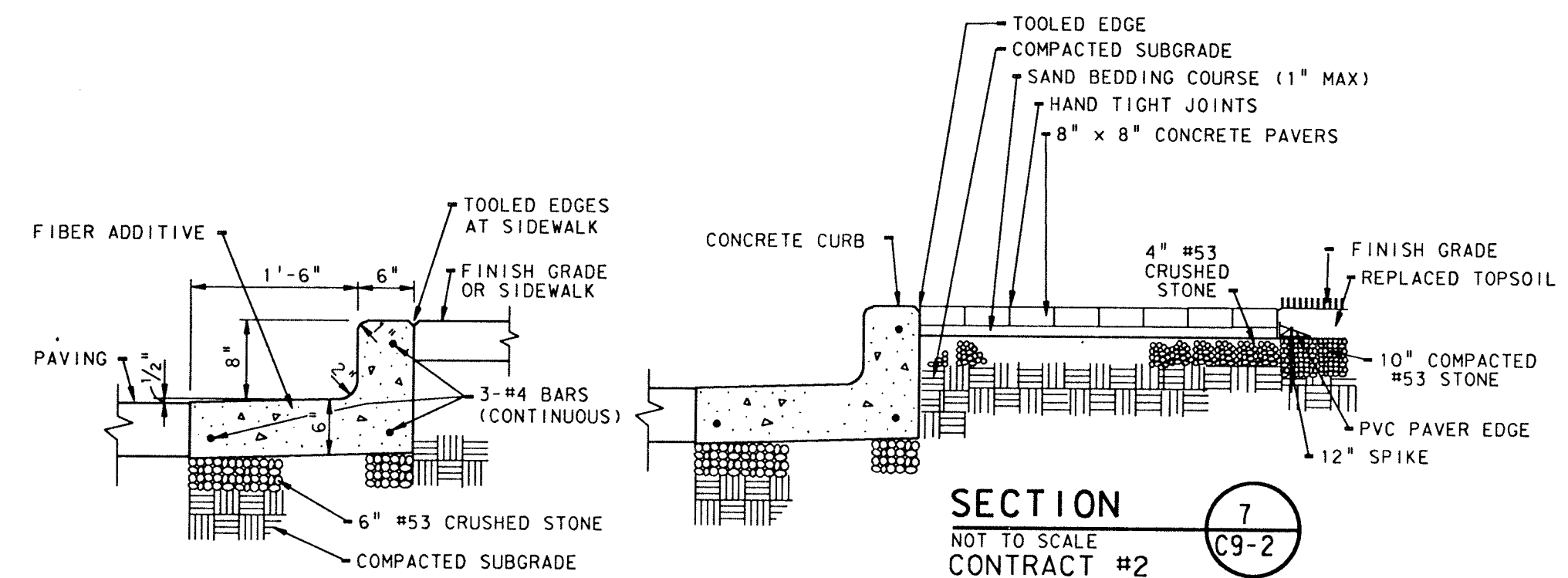
**COMPONENT FOOTING 8**  
 NOT TO SCALE  
 CONTRACT #2 ALTERNATE #1

**EQUIPMENT DETAILS**

SCALE: 1" = 10'

**LEGEND**

	MATCH EXISTING ELEVATION
	EXISTING ELEVATION
	FINISH ELEVATION
	EXISTING CONTOUR LINE
	FINISH CONTOUR LINE
	BORING HOLE NUMBER AND LOCATION
	MANHOLE
	CATCH BASIN
	CURB INLET
	NEW CONCRETE WALK
	NEW BITUMINOUS PAVING
	EXISTING UTILITY POLE
	EXISTING LIGHT POLE
	EXISTING FIRE HYDRANT
	EXISTING CHAIN LINK FENCE
	NEW CHAIN LINK FENCE
	CONSTRUCTION FENCE
	VALLEY LINE
	WORK LIMIT DESIGNATOR
	EXISTING TREE TO REMAIN
	EXISTING EVERGREEN TO REMAIN
	NEW UNDERDRAIN
	NEW CRUSHED STONE PAVING
	NEW STORM SEWER



**MANHOLE AND DRAINAGE STRUCTURE SCHEDULE**

MARK	STRUCTURE TYPE	RIM ELEVATION	PIPE SIZE	DIRECTION	PIPE INV. ELEVATION	NEENAH
M#1	23/C9-2	850.80	6"	WEST	847.80	R-1631-B FRAME & LID
M#2	25/C9-2	850.80	6"	NORTH	847.70	
M#3	25/C9-2	850.80	6"	WEST	847.60	R-1710 FRAME & TYPE B LID
M#4	25/C9-2	850.80	6"	SOUTH	847.49	
M#5	25/C9-2	850.80	6"	SOUTHWEST	846.53	
M#6	25/C9-2	850.80	6"	NORTHEAST	846.53	
M#7	25/C9-2	850.80	6"	WEST	847.60	R-1710 FRAME & TYPE B LID
M#8	25/C9-2	850.80	6"	SOUTH	847.50	
M#9	25/C9-2	850.80	6"	EAST	847.37	R-1631-B FRAME & LID
M#10	25/C9-2	850.80	6"	NORTH	848.90	
M#11	25/C9-2	850.80	6"	SOUTH	847.70	R-1631-B FRAME & LID
M#12	25/C9-2	850.80	6"	EAST	849.00	R-1631-B FRAME & LID
M#13	25/C9-2	850.80	6"	NORTH	848.90	
M#14	25/C9-2	850.80	6"	SOUTH	847.50	R-1710 FRAME & TYPE B LID
M#15	25/C9-2	850.80	6"	EAST	848.00	
M#16	25/C9-2	850.80	6"	NORTH	847.40	R-1710 FRAME & TYPE B LID
DS#1	24/C9-2	851.40	6"	NORTH	849.00	R-2664 FRAME & GRATE
DS#2	26/C9-2	852.00	6"	EAST	848.50	
DS#3	26/C9-2	852.00	6"	NORTHEAST	849.50	R-2560-C2 FRAME & GRATE
DS#4	26/C9-2	851.00	6"	WEST	848.18	
DS#5	26/C9-2	851.00	6"	EAST	848.08	
DS#6	26/C9-2	851.00	6"	WEST	847.89	R-2560-C2 FRAME & GRATE
DS#7	26/C9-2	851.00	6"	NORTH	848.50	
DS#8	26/C9-2	851.00	6"	NORTHEAST	849.00	
DS#9	26/C9-2	851.00	6"	SOUTHWEST	847.79	

BEFORE INSTALLATION OF BINDER, EXCAVATE TEST CORES TO VERIFY STONE DEPTH. THREE ON SITE TESTS, MINIMUM ARE REQUIRED. TEST LOCATIONS SHALL BE SELECTED BY THE ARCHITECT. ARCHITECT MUST BE PRESENT DURING EXCAVATION.

EXISTING STONE BASE MAY BE LEFT IN PLACE IN LIEU OF PLACING NEW MATERIAL. FILL EXISTING BASE TO MINIMUM 6" COMPACTED THICKNESS WITH #53 CRUSHED STONE.

BRASS DOWELS EACH JOINT. FACE BRICK TO MATCH EXISTING. CONCRETE BLOCK. 0'-0" BUILDING FFE DAYCARE 858.44'. HEAVY DUTY DURAWALL JOINT REINFORCING AT EVERY OTHER COURSE.

PAVERS. WVF 6 X 6 W1.4 X W1.4. 4" #53 CRUSHED STONE. COMPACTED SUBGRADE. FIBER ADDITIVE.

CONCRETE CURB. FINISH GRADE OR WALK. EXPANSION JOINT. FIBER ADDITIVE.

TOOLED EDGES AT SIDEWALK OR SIDEWALK. FINISH GRADE OR SIDEWALK. 3-#4 BARS (CONTINUOUS). COMPACTED SUBGRADE. 6" #53 CRUSHED STONE.

TOOLED EDGES AT SIDEWALK OR SIDEWALK. FINISH GRADE OR SIDEWALK. 3-#4 BARS (CONTINUOUS). COMPACTED SUBGRADE. 6" #53 CRUSHED STONE.

TOOLED EDGES AT SIDEWALK OR SIDEWALK. FINISH GRADE OR SIDEWALK. 3-#4 BARS (CONTINUOUS). COMPACTED SUBGRADE. 6" #53 CRUSHED STONE.

TOOLED EDGES AT SIDEWALK OR SIDEWALK. FINISH GRADE OR SIDEWALK. 3-#4 BARS (CONTINUOUS). COMPACTED SUBGRADE. 6" #53 CRUSHED STONE.

TOOLED EDGES AT SIDEWALK OR SIDEWALK. FINISH GRADE OR SIDEWALK. 3-#4 BARS (CONTINUOUS). COMPACTED SUBGRADE. 6" #53 CRUSHED STONE.

TOOLED EDGES AT SIDEWALK OR SIDEWALK. FINISH GRADE OR SIDEWALK. 3-#4 BARS (CONTINUOUS). COMPACTED SUBGRADE. 6" #53 CRUSHED STONE.

TOOLED EDGES AT SIDEWALK OR SIDEWALK. FINISH GRADE OR SIDEWALK. 3-#4 BARS (CONTINUOUS). COMPACTED SUBGRADE. 6" #53 CRUSHED STONE.

TOOLED EDGES AT SIDEWALK OR SIDEWALK. FINISH GRADE OR SIDEWALK. 3-#4 BARS (CONTINUOUS). COMPACTED SUBGRADE. 6" #53 CRUSHED STONE.

FLOOR OUTLET SCHEDULE

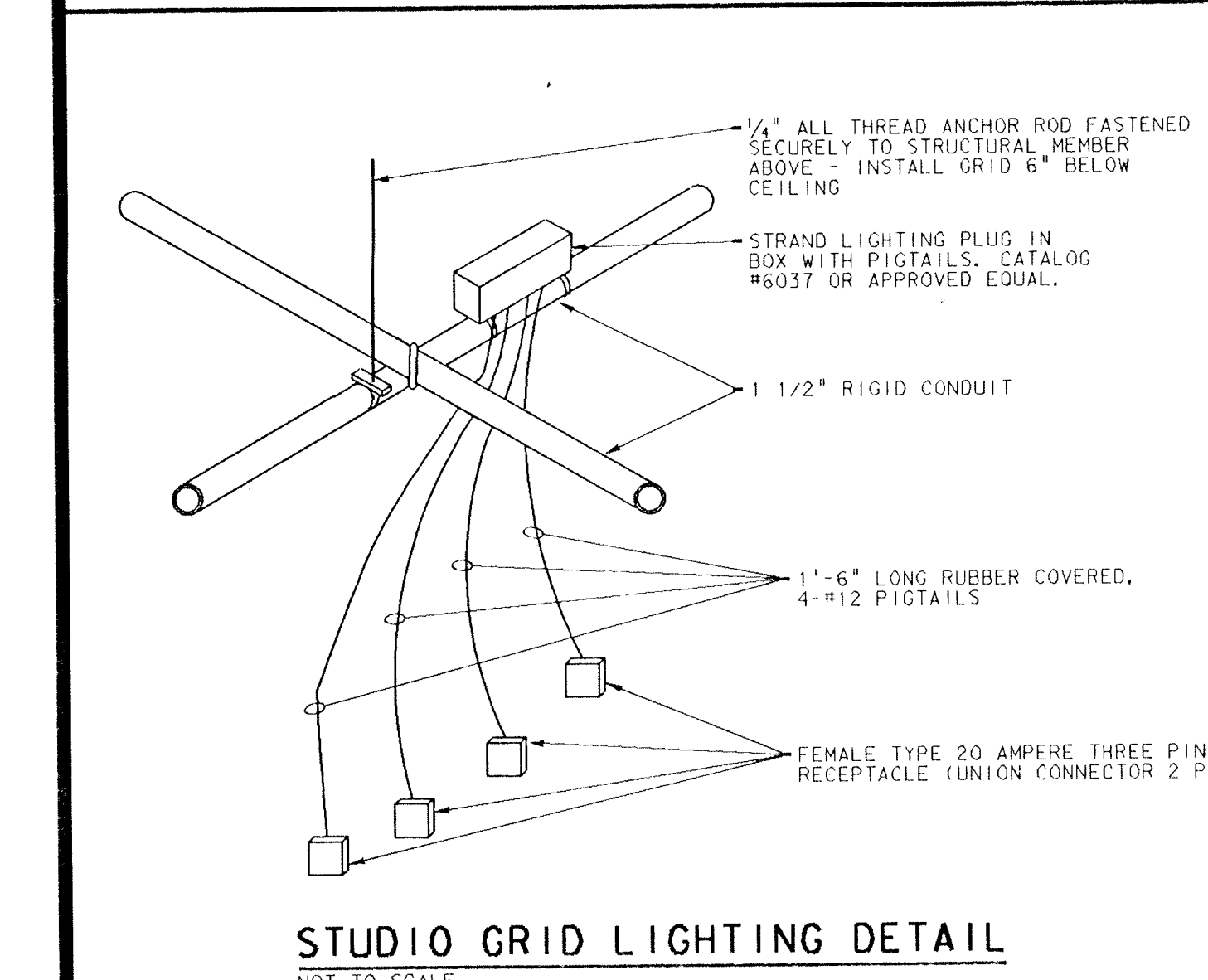
Table with columns: TYPE, DESCRIPTION, REMARKS. Includes items like 6325B-DFB-NS WITH 804 DRU DUPLEX RECEPTACLE.

NOTES: 1. VERIFY EXACT LOCATION OF ALL FLOOR OUTLETS WITH ARCHITECTS. FURNISH AND INSTALL LEW DCF-1-NS CARPET FLANGES WHERE REQUIRED.

RELAY SCHEDULE

Table with columns: MARK & TYPE, ITEM, CONTROLLED CIRCUIT(S), COIL CKT., ROOM NO., SEE NOTES. Lists various relay items like WEST DRIVE AND ENTRY LIGHTS.

NOTES: 1. FURNISH NEMA 1 ENCLOSURE WITH A HINGED COVER UNLESS OTHERWISE NOTED. 2. ELECTRICALLY HELD. 3. MECHANICALLY HELD. 4. CONTACTS - NORMALLY OPEN. 5. CONTACTS - NORMALLY CLOSED. 6. PROVIDE ON-OFF SELECTOR SWITCH IN RELAY ENCLOSURES WITH LOOP AND BRIDLE STRAPS FROM MAIN COMPARTMENT TO HINGED COVER. FOR SELECTOR SWITCHES. 7. PROVIDE ON-OFF SELECTOR SWITCH IN RELAY ENCLOSURE WITH LOOP AND BRIDLE STRAP FROM MAIN COMPARTMENT TO HINGED COVER. FOR SELECTOR SWITCHES. 8. 120 VOLT COIL. 9. 277 VOLT COIL. 10. PHOTOCLOCK/PHOTOCLOCK CONTROLLED. 11. FURNISH FUSE PROTECTION FOR COIL CIRCUIT. 12. ACCESSORY 47 WIRE CONTROLS. 13. ALL RELAYS AND SELECTOR SWITCHES SHALL BE PREPARED BY MANUFACTURER.



INCANDESCENT/HID FIXTURE SCHEDULE

Table with columns: TYPE, MANUFACTURER'S CATALOG NO., DESCRIPTION. Lists various incandescent and HID fixtures like SURFACE MOUNTED PORCELAIN SOCKET FIXTURE.

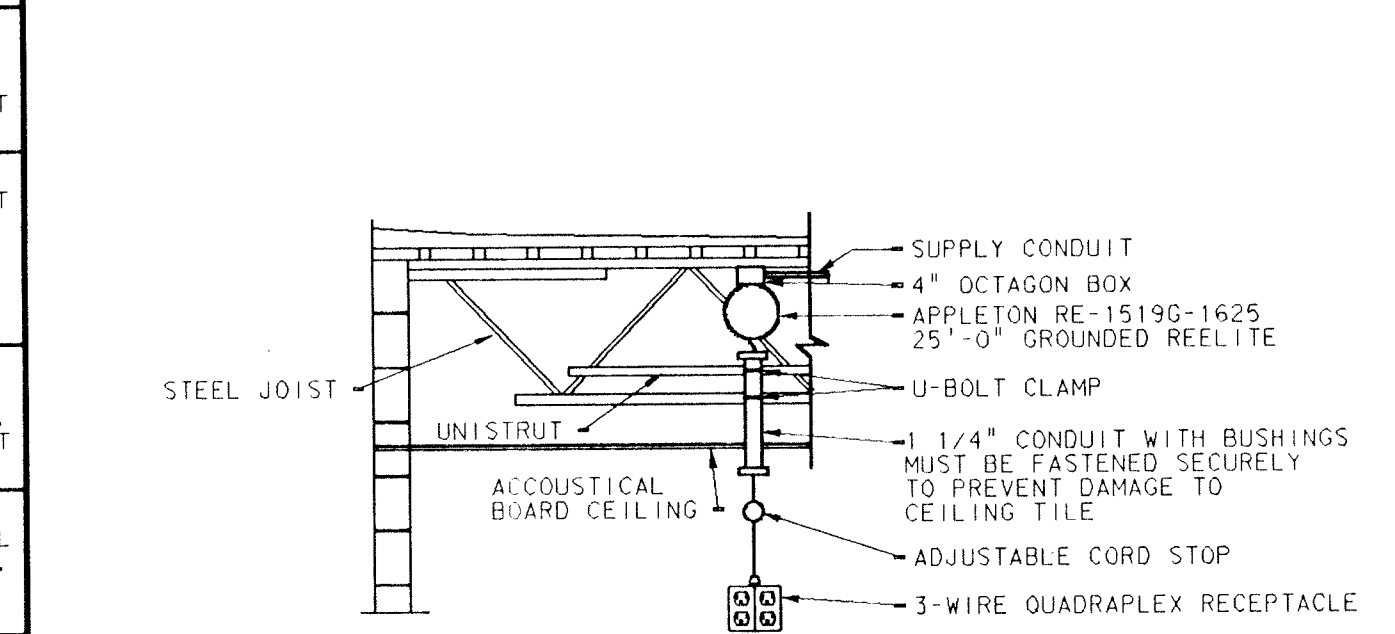
FLUORESCENT FIXTURE SCHEDULE

Table with columns: TYPE, MANUFACTURER'S CATALOG NO., DESCRIPTION. Lists various fluorescent fixtures like 1X4 RECESSED MOUNTED GRID TYPE LIGHT FIXTURE.

ELECTRICAL SYMBOL SCHEDULE

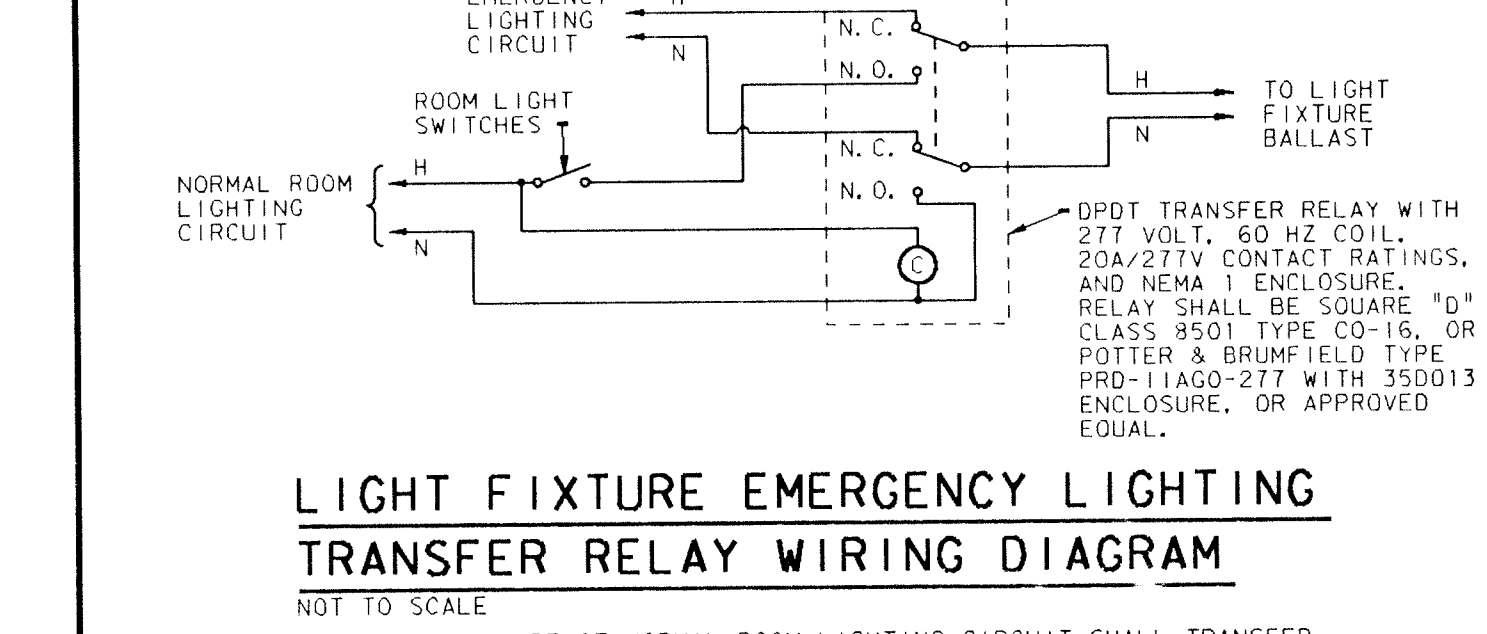
Table with columns: SYMBOL, DESCRIPTION. Lists electrical symbols for components like FLOURESCENT LIGHT FIXTURE, JUNCTION BOX, CONDUIT, MOTOR, etc.

NOTE: 1. NOT ALL SYMBOLS ARE USED ON THIS PROJECT.



OVERHEAD ADJUSTABLE RETRACTABLE RECEPTACLE DETAIL

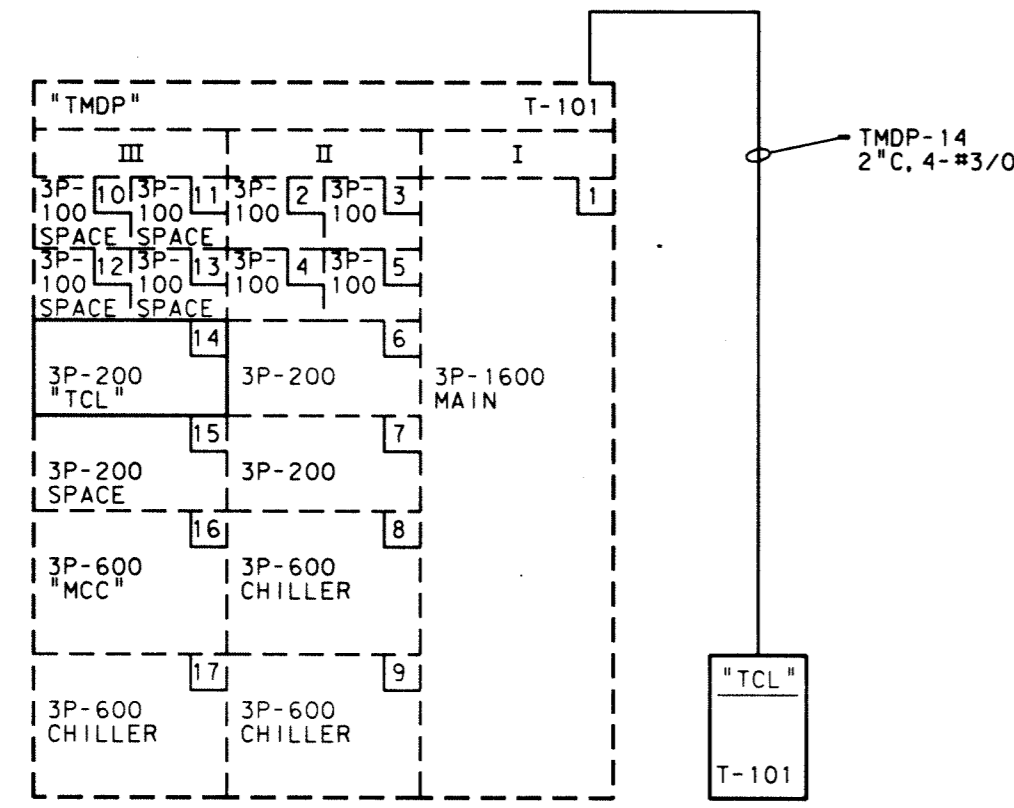
GENERAL RENOVATION NOTES - APPLY TO ALL SHEETS: 1. USE OF EXISTING CONDUIT IN PLACE IS PERMITTED WHERE SUCH USE IS WITHIN THE LIMITS OF THE NATIONAL ELECTRICAL CODE. 2. WHEN RECONNECTING EXISTING LIGHT FIXTURES OR NEWLY REPLACED CONVENIENCE RECEPTABLES TO NEW CIRCUITS, CONNECT APPROXIMATELY 1200 WATTS TO A LIGHTING CIRCUIT OR UP TO 8 RECEPTABLES TO A CONVENIENCE RECEPTACLE CIRCUIT. DO NOT CONNECT LIGHTS OR SMALL MOTORS ON THE SAME CIRCUIT WITH CONVENIENCE RECEPTABLES. 3. CONNECT MOTORS OR APPLIANCES AS SHOWN ON PLANS. ANY MISCELLANEOUS SMALL MOTORS OR APPLIANCES NOT SHOWN ON THE PLANS BUT EXISTING AND ARE TO REMAIN IN SERVICE ON THE JOB SITE SHALL BE RECONNECTED TO A NEW CIRCUIT WITH NEW WIRING FROM THE NEAREST AVAILABLE NEW OR EXISTING PANELBOARD FROM THE FLOOR SERVED. 4. NOT ALL EXISTING CONVENIENCE RECEPTABLES, WALL SWITCHES, ETC., AND OTHER ELECTRICAL EQUIPMENT ARE SHOWN ON THE PLANS. A SURVEY OF THE JOB SITE MUST BE MADE TO DETERMINE THE EXTENT OF EXISTING ELECTRICAL EQUIPMENT. 5. THE ASBESTOS ABATEMENT CONTRACTOR WILL REMOVE ALL EXISTING INTERIOR ELECTRICAL DEVICES, WIRING, EXPOSED ABANDONED CUTOFF, ETC., NO LONGER REQUIRED UNLESS OTHERWISE NOTED. 6. THE ASBESTOS ABATEMENT CONTRACTOR WILL REMOVE EXISTING LIGHT FIXTURES IN ROOMS WHERE NEW LIGHT FIXTURES ARE SHOWN. IN ALL OTHER ROOMS EXISTING LIGHT FIXTURES ARE TO REMAIN. RECONNECT EXISTING LIGHT FIXTURES TO NEAREST AVAILABLE NEW OR EXISTING PANELBOARD FROM THE FLOOR SERVED. 7. ALL DEFECTIVE EXISTING RECEPTABLES, SWITCHES, ETC., SHALL BE REPLACED WITH NEW DEVICES, IN AREAS OF THE BUILDING WHERE ELECTRICAL TRADES ARE PERFORMING WORK. 8. SEE ARCHITECTURAL PLANS FOR RENOVATED AREAS. 9. WHERE ALL NEW WALL FINISHES ARE TO BE PROVIDED, REMOVE ALL EXISTING ELECTRICAL DEVICES AND COVER PLATES, SUCH AS RECEPTABLES, SWITCHES, FIRE ALARM HORNS, PULL STATIONS, CLOCKS AND BELLS, ETC., AND REINSTALL AFTER NEW WALL FINISH IS COMPLETED.



LIGHT FIXTURE EMERGENCY LIGHTING TRANSFER RELAY WIRING DIAGRAM

GENERAL NOTES - APPLY TO ALL SHEETS: 1. VERIFY ALL DIMENSIONS FROM ARCHITECTURAL PLANS. 2. DIMENSIONS SHOWN ON OUTLET BOXES SHALL BE FROM THE FINISHED FLOOR TO THE TOP OF THE BOX. 3. THE ELECTRICAL CONTRACTOR SHALL CENTER CLOCKS ABOVE DOORS, CHALKBOARDS OR IN WALL SPACES ALIGNED WITH CEILING GRID AS REQUESTED BY THE ARCHITECT. 4. CONDUIT TO LIGHTS IS SHOWN TO INDICATE SWITCHING AND DOES NOT INDICATE QUANTITY OR EXACT LOCATION. OTHER CONDUIT IS SHOWN INDICATING CONNECTION, BUT DOES NOT INDICATE QUANTITY OR EXACT LOCATION. 5. FLOURESCENT FIXTURES SHALL BE SUPPORTED FROM STRUCTURE ABOVE - SEE DETAIL THIS SHEET. 6. FLOURESCENT FIXTURES INSTALLED IN ACUSTICAL TILE SHALL BE ON ONE FOOT MODULES. 7. ALL FLOURESCENT FIXTURES MOUNTED INDEPENDENTLY SHALL BE FURNISHED WITH TWO END PLATES. FLOURESCENT FIXTURES MOUNTED IN A CONTINUOUS ROW SHALL BE FURNISHED WITH AN ADJACENT UNOCCUPIED AREA AS REQUESTED BY ARCHITECT. 8. PLASTER FRAMES AND/OR RINGS SHALL BE PROVIDED WHERE REQUIRED BY CEILING CONSTRUCTION. 9. VERIFY LOCATION OF LIGHTS IN ROOMS CONTAINING EXPOSED DUCTWORK AND PIPING BY OTHER TRADES AND RELOCATE, IF NECESSARY, AS REQUESTED BY ARCHITECT. 10. VERIFY LOCATION OF MOTOR STARTERS, DISCONNECTS, PANELBOARDS, ETC., IN ROOMS CONTAINING EXPOSED DUCTWORK AND PIPING BY OTHER TRADES AND RELOCATE TO AN ADJACENT UNOCCUPIED AREA AS REQUESTED BY ARCHITECT. 11. VERIFY HEIGHT AND LOCATION OF OUTLETS BEHIND WATER COOLERS WITH OTHER TRADES, SO THAT OUTLETS ARE CONCEALED. 12. SEE MECHANICAL PLANS FOR EXHAUST FAN SCHEDULE AND POWER CIRCUITS. 13. ALL FREE STANDING ITEMS OF ELECTRICAL EQUIPMENT SHALL BE INSTALLED ON FOUR (4) INCH 4\"/>

Vertical text on the right side: ADDITION TO and RENOVATION OF LAWRENCE CENTRAL HIGH SCHOOL for the METROPOLITAN SCHOOL DISTRICT of LAWRENCE TOWNSHIP MARION COUNTY, INDIANA. Includes logo for VERETT EDGEMAN Company Architects & Engineers and project information: PROJECT 871-110, DATE DEC. 18, 1989, REVISED NOVEMBER 21, 1991, ONLY PREVIOUSLY BID IN ORIGINAL CONTRACT DOCUMENTS ISSUED DECEMBER 18, 1989.



**POWER DISTRIBUTION DIAGRAM**  
NOT TO SCALE

**RELAY SCHEDULE**

MARK & TYPE	ITEM	CONTROLLED CIRCUIT(S)	COIL CKT.	ROOM NO.	SEE NOTES
TCL-1 ASCO #92033091C	TENNIS COURT #TC1	TCL-7	TL1-16	BOILER HOUSE T-101	1, 3, 4, 6, 8, 10, 11, 13
TCL-2 ASCO #92033091C	TENNIS COURT #TC2	TCL-8	TL1-16	BOILER HOUSE T-101	1, 3, 4, 6, 8, 10, 11, 13
TCL-3 ASCO #92033091C	TENNIS COURT #TC3	TCL-9	TL1-16	BOILER HOUSE T-101	1, 3, 4, 6, 8, 10, 11, 13
TCL-4 ASCO #92033091C	TENNIS COURT #TC4	TCL-10	TL1-16	BOILER HOUSE T-101	1, 3, 4, 6, 8, 10, 11, 13
TCL-5 ASCO #92033091C	TENNIS COURT #TC5	TCL-11	TL1-16	BOILER HOUSE T-101	1, 3, 4, 6, 8, 10, 11, 13
TCL-6 ASCO #92033091C	TENNIS COURT #TC6	TCL-12	TL1-16	BOILER HOUSE T-101	1, 3, 4, 6, 8, 10, 11, 13
TCL-7 ASCO #92033091C	TENNIS COURT #TC7	TCL-13	TL1-16	BOILER HOUSE T-101	1, 3, 4, 6, 8, 10, 11, 13
TCL-8 ASCO #92033091C	TENNIS COURT #TC8	TCL-14	TL1-16	BOILER HOUSE T-101	1, 3, 4, 6, 8, 10, 11, 13

NOTES: 1. FURNISH NEMA 1 ENCLOSURE WITH HINGED COVER UNLESS OTHERWISE NOTED.  
2. ELECTRICAL WELD.  
3. MECHANICALLY HELD.  
4. CONTACTS - NORMALLY OPEN.  
5. CONTACTS - NORMALLY CLOSED.  
6. PROVIDE HAND-OFF-AUTOMATIC SELECTOR SWITCH IN RELAY ENCLOSURES WITH LOOP AND BRIDLE STRAPS FROM MAIN COMPARTMENT TO HINGED COVER FOR SELECTOR SWITCHES.  
7. PROVIDE ON-OFF SELECTOR SWITCH IN RELAY ENCLOSURE WITH LOOP AND BRIDLE STRAPS FROM MAIN COMPARTMENT TO HINGED COVER OF SELECTOR SWITCHES.  
8. 120 VOLT COIL.  
9. 277 VOLT COIL.  
10. PHOTOCELL ON/TIMECLOCK OFF CONTROLLED.  
11. FURNISH FUSE PROTECTION FOR COIL CIRCUIT.  
12. FURNISH WITH ACCESSORY #7 (TWO WIRE CONTROLS).  
13. ALL RELAYS AND SELECTOR SWITCHES SHALL BE PREWIRED BY MANUFACTURER.

**INCANDESCENT/HID FIXTURE SCHEDULE**

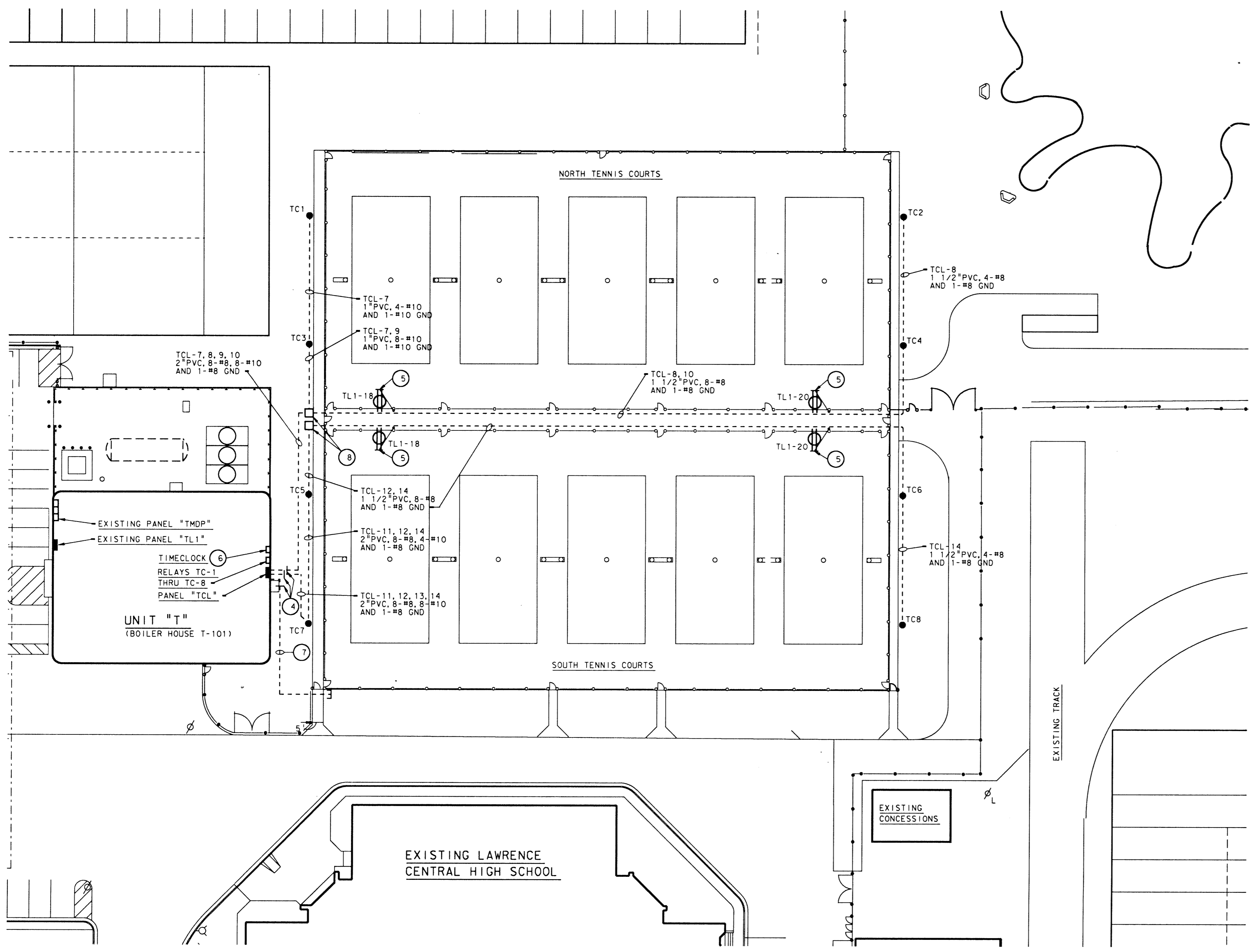
TYPE	MANUFACTURER'S CATALOG NO.	DESCRIPTION
TCK-1	AMERICAN ELECTRIC 183486-SHROUD DAYBRITE SFG1500MH-277 LITHONIA TV1500-HD-XK-277-SF	1500 WATT METAL HALIDE LIGHT FIXTURE WITH 277 VOLT HIGH POWER FACTOR BALLAST, SPUN ALUMINUM OUTER SHROUD, TEMPERED GLASS LENS AND BEAM SPREAD TO BE DETERMINED BY MANUFACTURER.

**PANEL SCHEDULE**

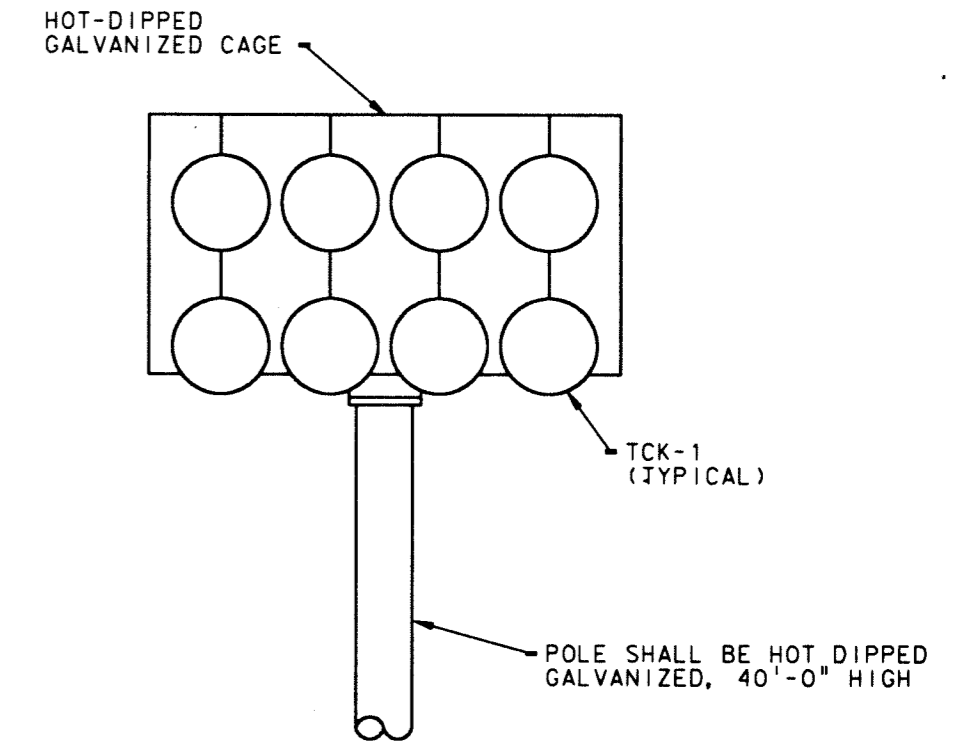
MARK & TYPE	CKTS	BREAKER OR SWITCH	FRAME OR FUSE	REMARKS
TCL CDP7/AE/NEHS 277/480V. 3P. 4W 225 AMP MAIN LUGS SURFACE MOUNTED	1-6 7-14	3P-20 3P-30	EHB EHB	CIRCUIT BREAKERS SHALL HAVE A MINIMUM 14,000 AMP INTERRUPTING CAPACITY.
TMDP EXISTING ITE 277/480V. 3P. 4W 1600 AMP MAIN BUS FREE STANDING FRONT ACCESSIBLE	14	3P-200	200	PROVIDE 3P-200 AMP SWITCH FUSED AT 200 AMPERES IN EXISTING 3P-200 SPACE. (CIRCUIT TMDP-14)

**PLAN NOTES:**

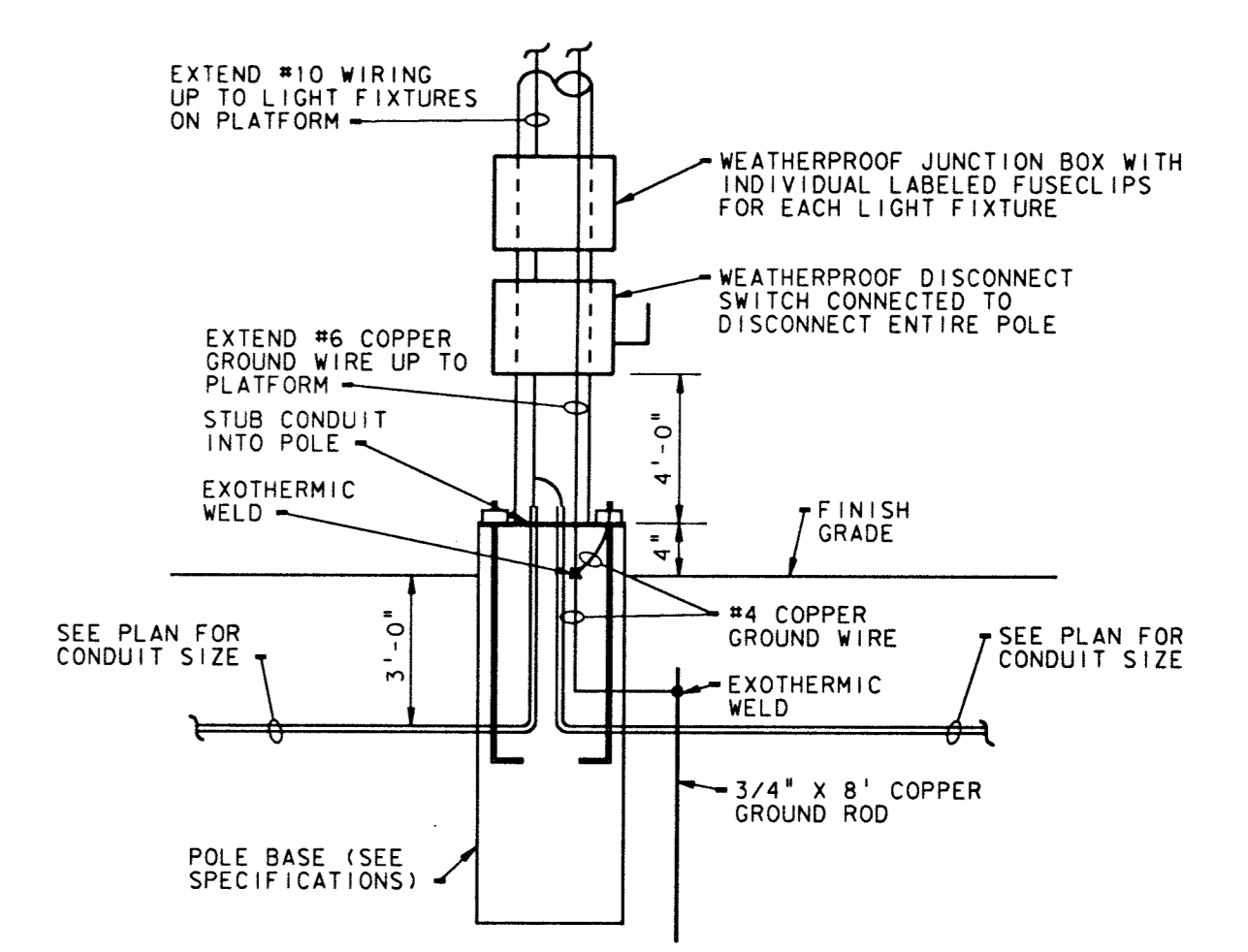
- ELECTRICAL CONTRACTOR SHALL RELOCATE OR REMOVE ANY OR ALL EXISTING SERVICES, POLES, ETC., AS MAY BE REQUIRED TO ACCOMMODATE ANY NEW CONSTRUCTION, UNLESS OTHERWISE NOTED.
- ELECTRICAL CONTRACTOR SHALL BACKFILL THE EXCAVATION FOR ALL CONDUIT RUNS UNDER SIDEWALKS AND PAVED AREAS WITH BANK RUN GRAVEL OR SAND.
- ALL WORK SHOWN ON THIS SHEET IS NEW AND BY THE ELECTRICAL TRADES, UNLESS OTHERWISE NOTED.
- PVC TO CONDUIT ADAPTER.
- FENCE POST MOUNTED 15 AMPERE, WEATHERPROOF, GF1 DUPLEX RECEPTACLE (4"X8"), CONNECT TO CIRCUIT SHOWN WITH 3/4" PVC, 2"-Ø.
- PROVIDE PARAGON ECT4 TIMECLOCK TO CONTROL TENNIS COURT LIGHTING. CONNECT THE NORTH FIVE TENNIS COURTS (TC1, TC2, TC3, TC4) TO ONE CHANNEL FOR PHOTOCELL ON/TIMECLOCK OFF. CONNECT THE SOUTH FIVE TENNIS COURTS (TC5, TC6, TC7, TC8) TO A SECOND CHANNEL FOR PHOTOCELL ON/TIMECLOCK OFF. LOCATE PHOTOCELL ON NORTH EXTERIOR WALL OF BOILER PLANT AT +16'-0". VERIFY THE EXACT LOCATION WITH ARCHITECT.
- STUB, CAP, AND MARK 1-4" PVC AND 1-2" PVC FROM WALL ADJACENT TO PANEL "TCL" TO ADJACENT TO FENCE FOR FUTURE TENNIS HOUSE.
- 8"X8"X8" PULLBOX (APPLETON #SW080808).



**PARTIAL SITE PLAN**  
SCALE: 1" = 30'



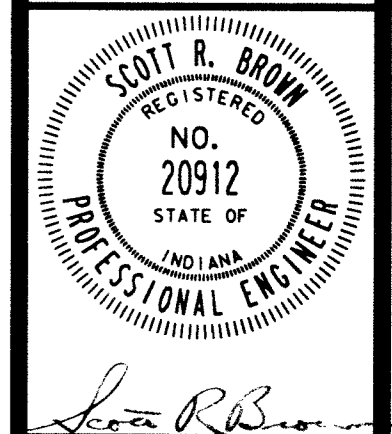
**POLES TC1, TC2, TC3, TC4, TC5, TC6, TC7 & TC8**  
NOT TO SCALE



**SPORTS LIGHTING POLE BASE DETAIL**  
NOT TO SCALE

**CONTINUING ADDITION TO AND RENOVATION OF  
LAWRENCE CENTRAL HIGH SCHOOL**  
 for the METROPOLITAN SCHOOL DISTRICT of LAWRENCE TOWNSHIP  
 MARION COUNTY, INDIANA

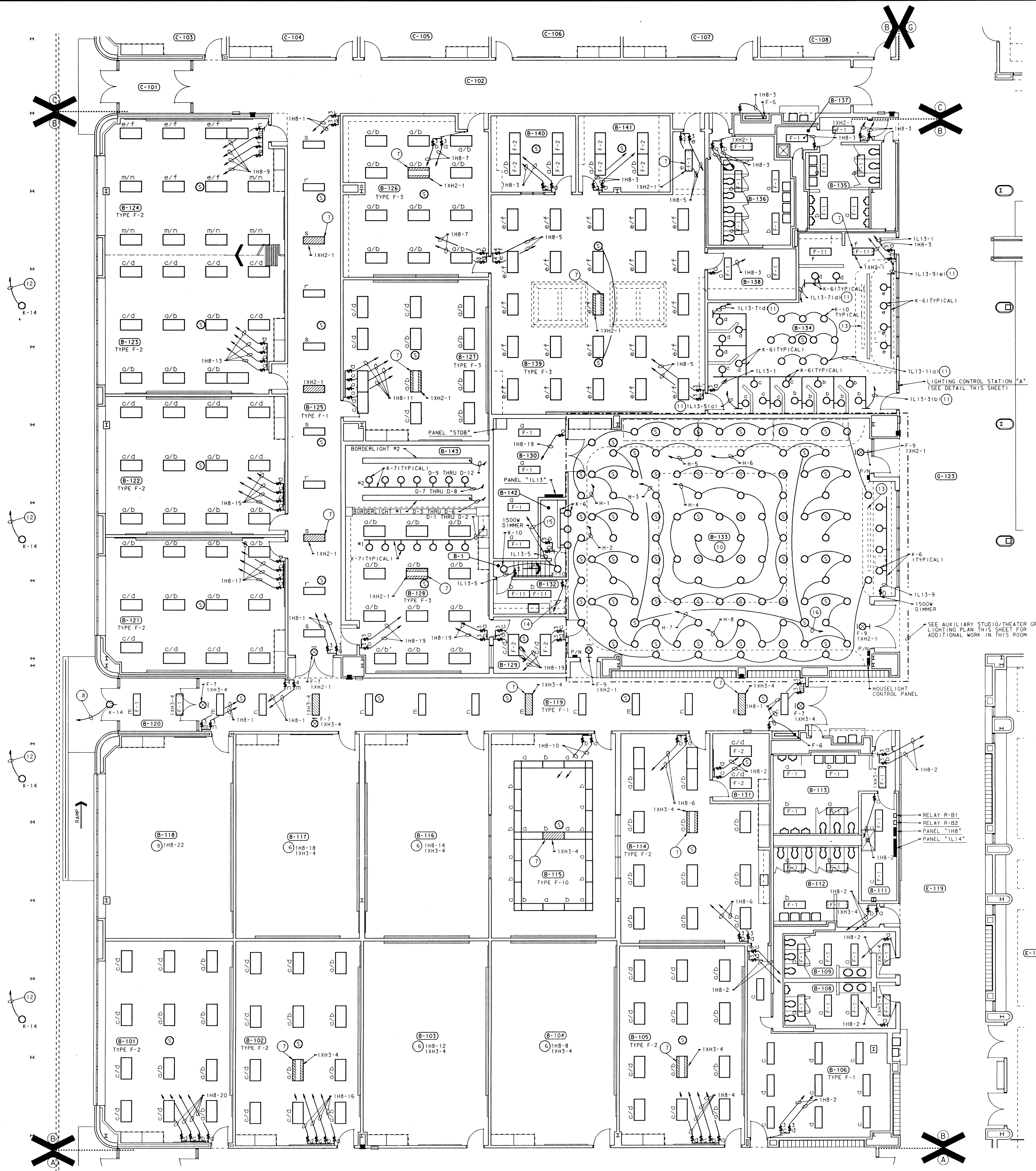
**EVERETT L. BROWN Company**  
**Architects & Engineers**  
 950 NORTH MERIDIAN STREET  
 INDIANAPOLIS, INDIANA 46204  
 (317) 237-7000



PROJECT  
871-110

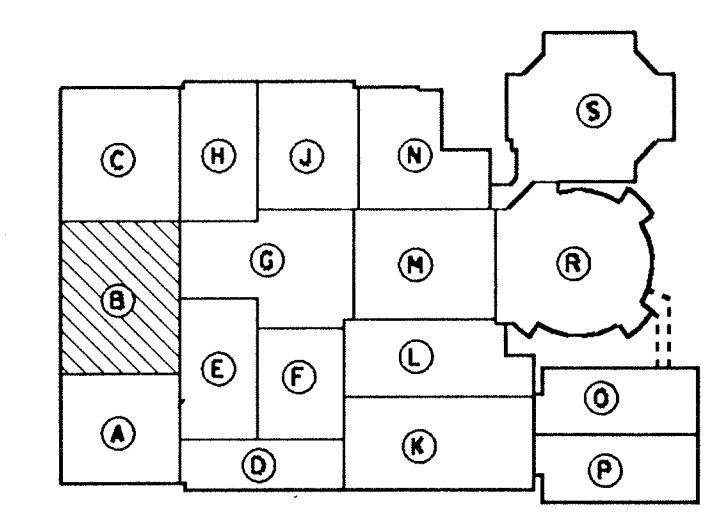
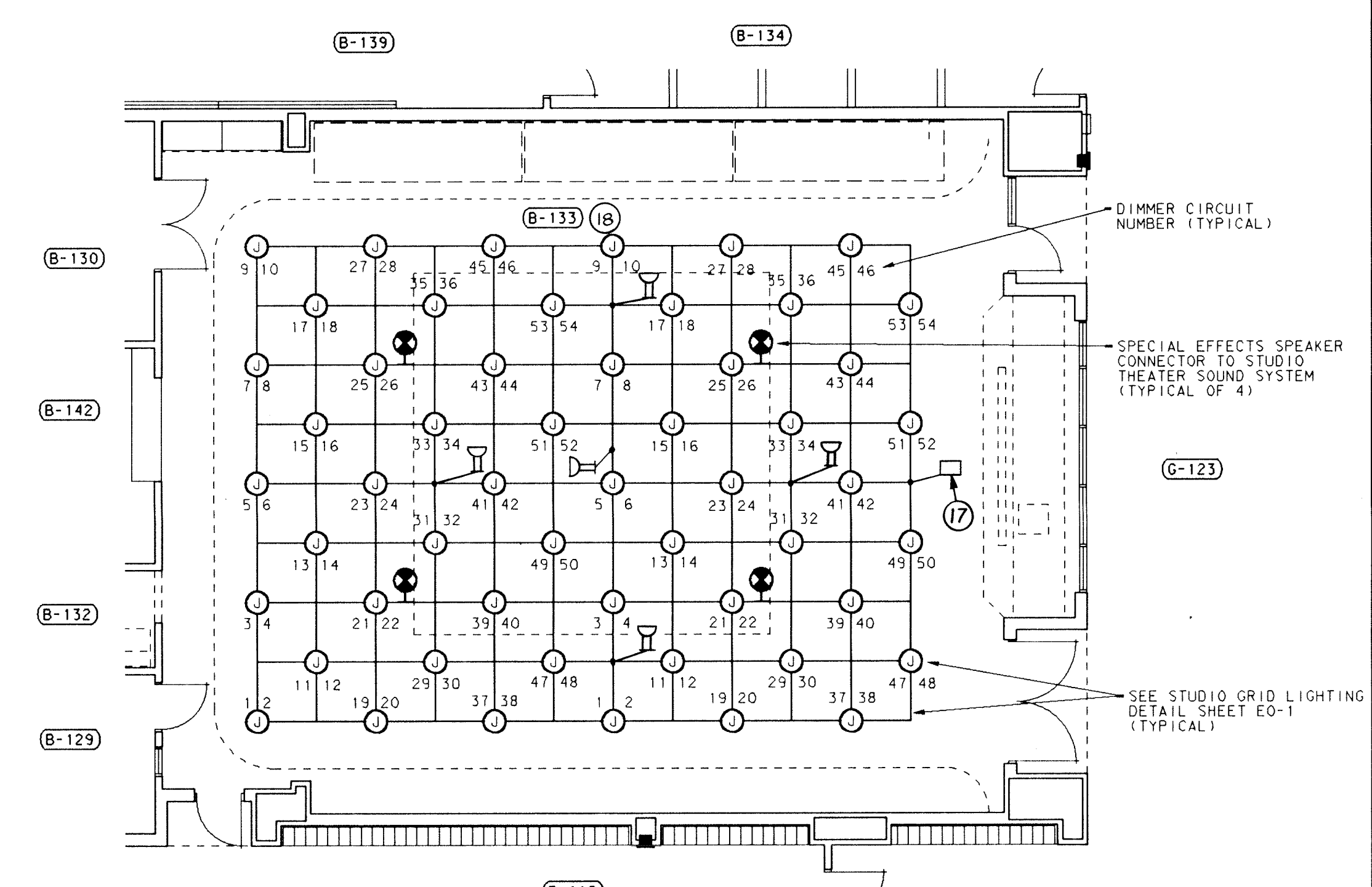
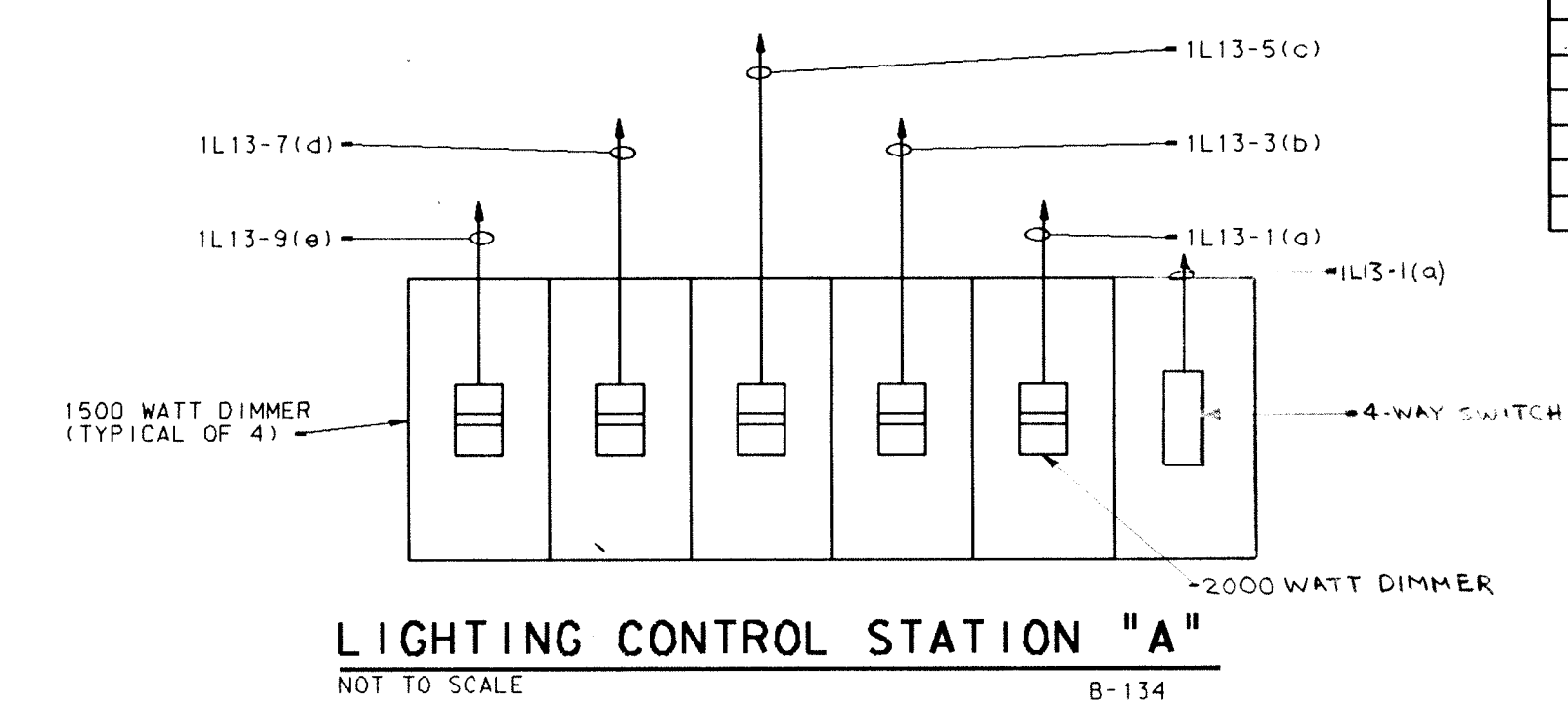
DATE  
NOV. 21, 1991

REVISED



**UNIT "B" LIGHTING PLAN**  
SCALE: 1/8" = 1'-0"

- PLAN NOTES:**  
(THESE NOTES APPLY TO THIS SHEET ONLY)
- SEE SHEETS E0-1 AND E0-2 FOR ELECTRICAL SYMBOLS, SCHEDULES, DETAILS AND NOTES.
  - SEE SHEET E2-1 AND E2-2 FOR ELECTRICAL SITE PLAN.
  - SEE SHEET E8-1 THRU E8-6 FOR COMMUNICATIONS COMPOSITE PLANS, DISTRIBUTION DIAGRAMS AND DETAILS.
  - SEE SHEET E6-1 AND E6-2 FOR POWER DISTRIBUTION DIAGRAMS.
  - MULTI-SWITCHED LIGHT FIXTURES SHALL HAVE THE MIDDLE LAMP(S) CONTROLLED BY THE SWITCH(ES) CLOSEST TO THE DOOR OPENING AND THE OUTSIDE LAMP(S) CONTROLLED BY THE OTHER SWITCH(ES).
  - FIRST CIRCUIT INDICATES NORMAL LIGHTING CIRCUIT FOR THIS ROOM AND SECOND CIRCUIT INDICATES EMERGENCY LIGHTING CIRCUIT - SEE ROOM B-102 FOR TYPICAL CLASSROOM LAYOUT SHOWING LOCATION OF LIGHTS, SWITCHES, AND SPEAKERS.
  - PROVIDE WITH EMERGENCY LIGHTING TRANSFER RELAY. SEE WIRING DIAGRAM SHEET E0-1.
  - IHB-23 TO PHOTOCELL/TIMELOCK CONTROLLED RELAY R-B1.
  - INDICATES LIGHTING CIRCUIT FOR THIS ROOM - SEE ROOM B-101 FOR TYPICAL CLASSROOM LAYOUT SHOWING LOCATION OF LIGHTS, SWITCHES AND SPEAKERS.
  - ALL LIGHT FIXTURES IN THIS ROOM SHALL BE TYPE K-8 UNLESS OTHERWISE NOTED. CONNECT ALL SPEAKERS IN THIS ROOM TO STUDIO THEATER SOUND SYSTEM UNLESS OTHERWISE NOTED.
  - TO LIGHTING CONTROL STATION "A" SEE DETAIL THIS SHEET.
  - IHB-25 TO PHOTOCELL/TIMELOCK CONTROLLED RELAY R-B2.
  - OUTLINE OF MOTORIZED PROJECTION SCREEN.
  - IHB-19 UP TO SWITCH IN B-142.
  - IHB-19 DOWN TO SWITCH IN B-132.
  - CONNECT FOUR INDICATED SPEAKERS TO ALL CALL PAGING SOUND SYSTEM. CONNECT THROUGH WALL MOUNTED ON/OFF SWITCH. PROVIDE ON/OFF SWITCH ADJACENT TO STUDIO THEATER SOUND SYSTEM REMOTE STATION IN SOUTHEAST CORNER OF ROOM TO CONTROL THESE FOUR SPEAKERS.
  - INFRARED EMITTER FOR IMPAIRED HEARING SYSTEM. PROVIDE 120 VAC POWER FOR EMITTER.
  - MOUNT MICROPHONE INPUTS ON LIGHTING GRID.



ROOM NAME SCHEDULE	
NO	NAME
B-101	CLASSROOM
B-102	CLASSROOM
B-103	CLASSROOM
B-104	CLASSROOM
B-105	CLASSROOM
B-106	STORAGE
B-107	NOT USED
B-108	MEN
B-109	WOMEN
B-110	NOT USED
B-111	CUSTODIAN
B-112	GIRLS
B-113	BOYS
B-114	OFFICE
B-115	CLASSROOM
B-116	CLASSROOM
B-117	CLASSROOM
B-118	CLASSROOM
B-119	CORRIDOR
B-120	VESTIBULE
B-121	CLASSROOM
B-122	CLASSROOM
B-123	CLASSROOM
B-124	CLASSROOM
B-125	CORRIDOR
B-126	CLASSROOM
B-127	CLASSROOM
B-128	CLASSROOM
B-129	OFFICE
B-130	STORAGE
B-131	OFFICE
B-132	ALCOVE
B-133	STUDIO THEATER
B-134	ART GALLERY
B-135	BOYS
B-136	GIRLS
B-137	CUSTODIAN
B-138	STORAGE/KILN
B-139	ART PAINTING AND SCULPTURING
B-140	OFFICE
B-141	WORK ROOM
B-142	CONTROL BOOTH
B-143	STAGE
B-1	STAIR

**ADDITION TO and RENOVATION OF  
LAWRENCE CENTRAL HIGH SCHOOL**  
for the METROPOLITAN SCHOOL DISTRICT of LAWRENCE TOWNSHIP  
MARION COUNTY, INDIANA

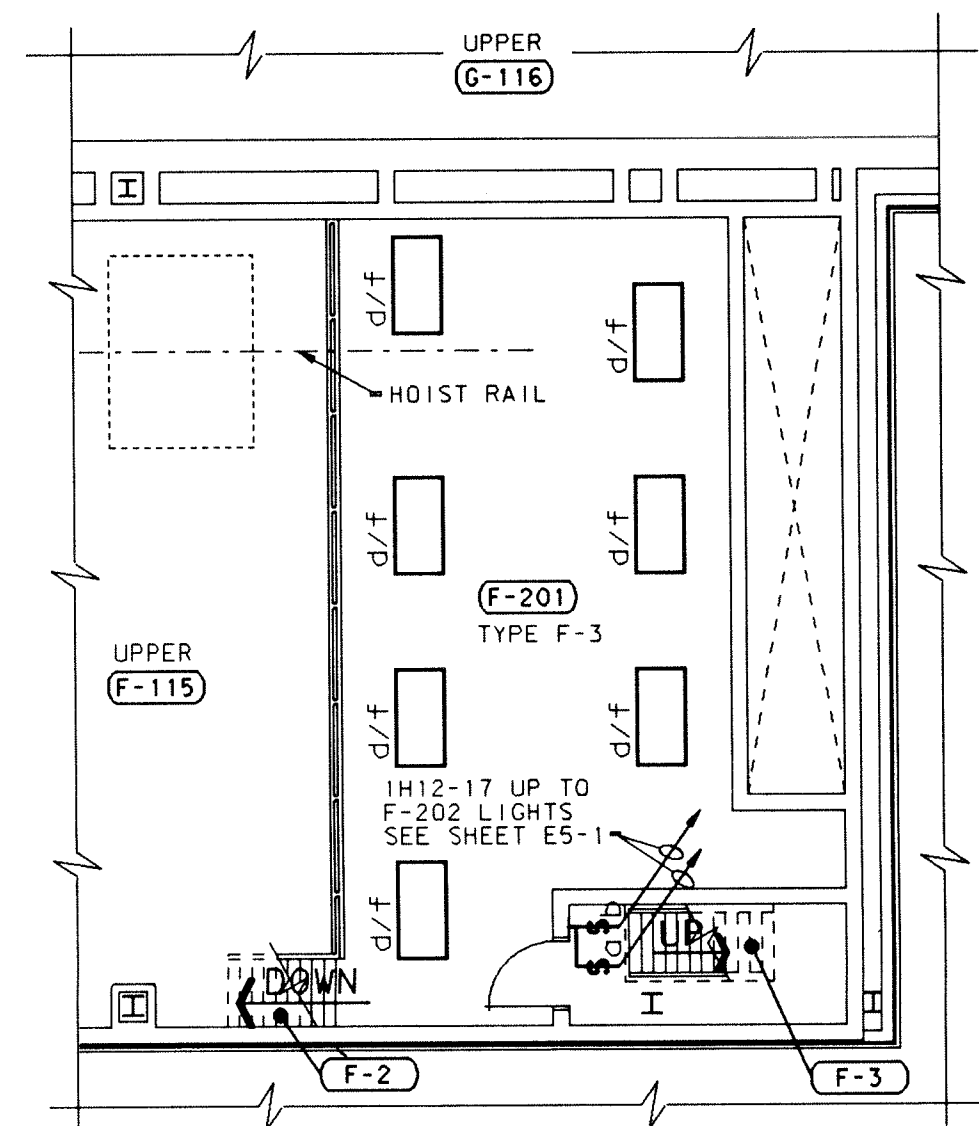
**VERETT, BROWN & COMPANY**  
Architects & Engineers  
950 NORTH MERIDIAN STREET  
INDIANAPOLIS, INDIANA 46204  
(317) 237-1000



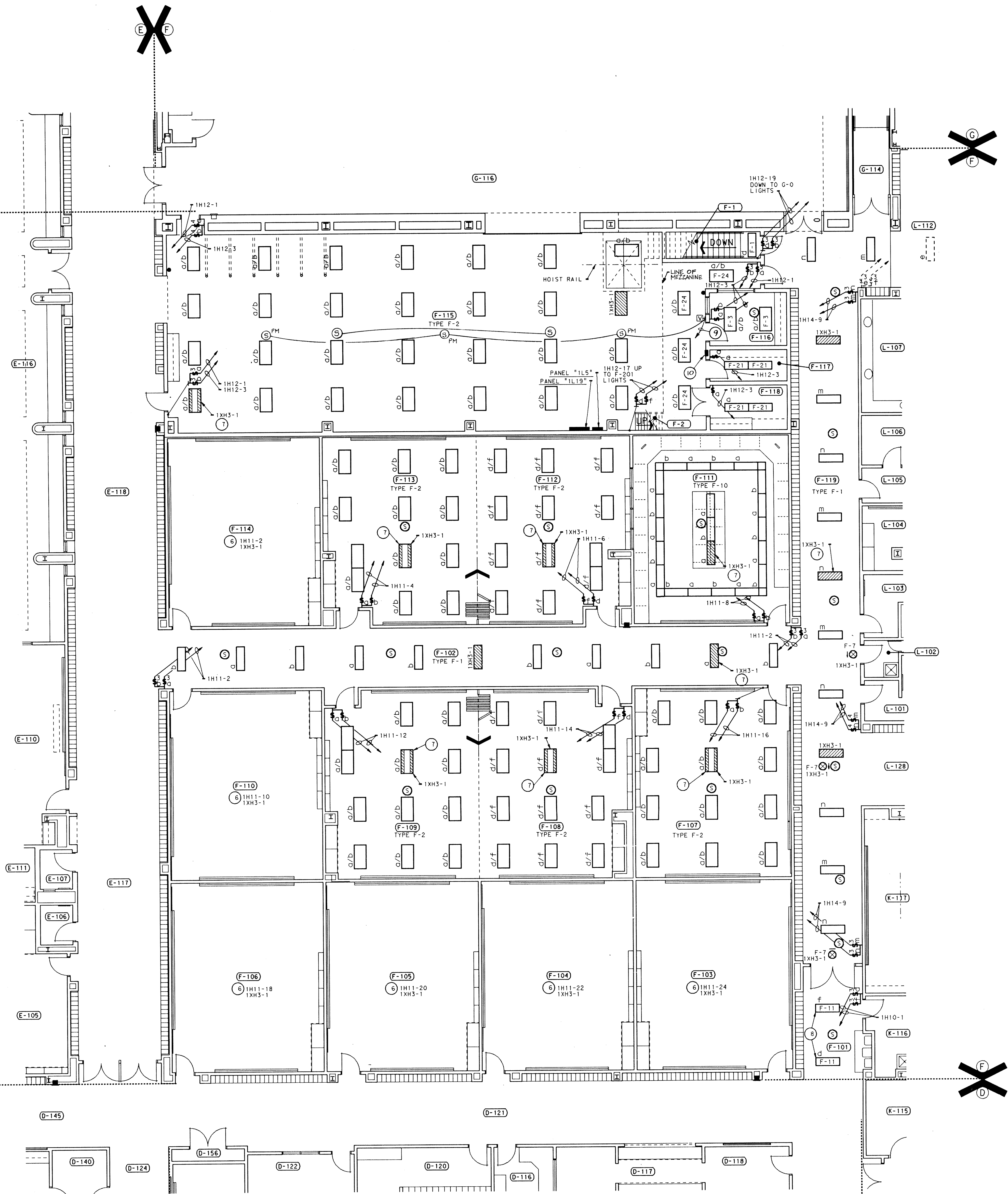
PROJECT 871-110  
DATE DEC. 18, 1989  
REVISED  
NOVEMBER 21, 1991  
FOR INFORMATION ONLY  
ONLY IN ORIGINAL CONTRACT DOCUMENTS ISSUED  
DECEMBER 18, 1989

ROOM NAME SCHEDULE	
NO	NAME
F-101	CORRIDOR
F-102	CORRIDOR
F-103	CLASSROOM
F-104	CLASSROOM
F-105	CLASSROOM
F-106	CLASSROOM
F-107	CLASSROOM
F-108	CLASSROOM
F-109	CLASSROOM
F-110	CLASSROOM
F-111	CLASSROOM
F-112	CLASSROOM
F-113	CLASSROOM
F-114	CLASSROOM
F-115	SCENE SHOP
F-116	OFFICE
F-117	TOOLS
F-118	PAINT STORAGE
F-119	CORRIDOR
F-201	MEZZANINE
F-1	STAIR
F-2	STAIR
F-3	STAIR

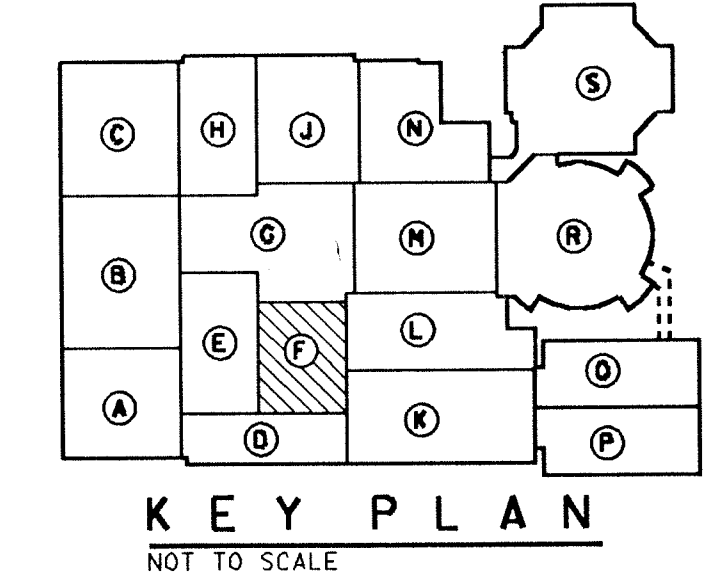
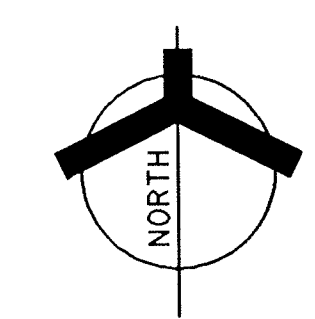
- PLAN NOTES:**  
(THESE NOTES APPLY TO THIS SHEET ONLY)
- SEE SHEETS E0-1 AND E0-2 FOR ELECTRICAL SYMBOLS, SCHEDULES, DETAILS AND NOTES.
  - SEE SHEET E2-1 AND E2-2 FOR ELECTRICAL SITE PLAN.
  - SEE SHEET E8-1 FOR COMMUNICATION COMPOSITE PLANS, DISTRIBUTION DIAGRAMS AND DETAILS.
  - SEE SHEETS E6-1 AND E6-2 FOR POWER DISTRIBUTION DIAGRAM.
  - MULTI-SWITCHED LIGHT FIXTURES SHALL HAVE THE MIDDLE LAMP(S) CONTROLLED BY THE SWITCH(ES) CLOSEST TO THE DOOR OPENING AND THE OUTSIDE LAMP(S) CONTROLLED BY THE OTHER SWITCH(ES).
  - FIRST CIRCUIT INDICATES NORMAL LIGHTING CIRCUIT FOR THIS ROOM AND SECOND CIRCUIT INDICATES EMERGENCY LIGHTING CIRCUIT. SEE CLASSROOM F-107 FOR TYPICAL CLASSROOM LAYOUT SHOWING LOCATION OF LIGHTS, SWITCHES AND SPEAKERS.
  - PROVIDE WITH EMERGENCY LIGHTING TRANSFER RELAY. SEE WIRING DIAGRAM SHEET E0-1.
  - SWITCH LIGHT FIXTURE WITH CORRIDOR D-155.
  - TO AUDITORIUM PROGRAM MONITOR SOUND SYSTEM.
  - AUDITORIUM CUE-INTERCOM SYSTEM WALL STATION.



**UNIT "F" MEZZANINE LIGHTING PLAN**  
SCALE: 1/8" = 1'-0"



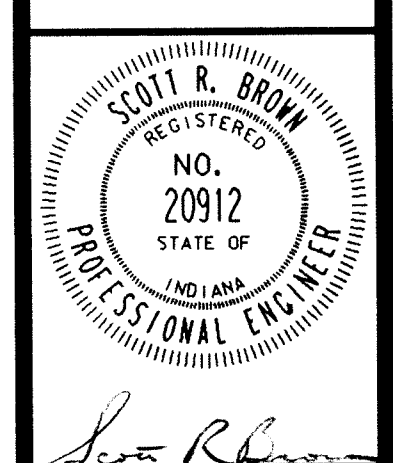
**UNIT "F" LIGHTING PLAN**  
SCALE: 1/8" = 1'-0"



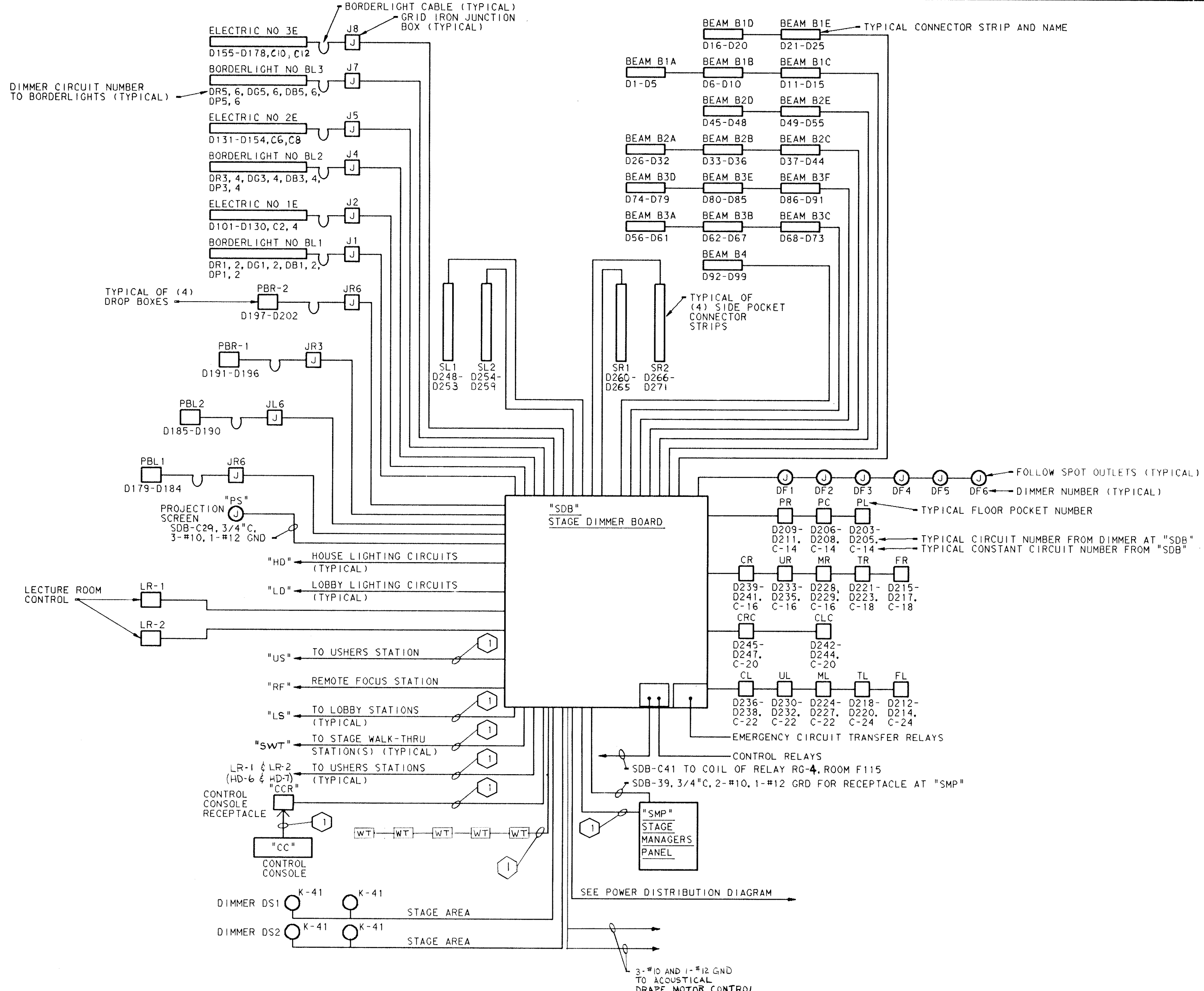
**KEY PLAN**  
NOT TO SCALE

**ADDITION TO AND RENOVATION OF LAWRENCE CENTRAL HIGH SCHOOL**  
 for the METROPOLITAN SCHOOL DISTRICT OF LAWRENCE TOWNSHIP  
 MARION COUNTY, INDIANA

**EVERETT L. BROWN Company**  
**Architects & Engineers**  
 950 NORTH MERIDIAN STREET  
 INDIANAPOLIS, INDIANA 46204  
 (317) 231-1000



PROJECT  
 871-110  
 DATE  
 DEC. 18, 1989  
 REVISED  
 NOVEMBER 21, 1991  
 FOR INFORMATION ONLY, PREVIOUSLY  
 BID IN ORIGINAL  
 CONTRACT DOCUMENTS ISSUED  
 DECEMBER 18, 1989



**AUDITORIUM DIMMING SYSTEM DIAGRAM**

NOT TO SCALE

NOTE: VERIFY WIRING IN CONDUIT REQUIRED WITH EQUIPMENT MANUFACTURER PRIOR TO INSTALLATION OF CONDUIT.

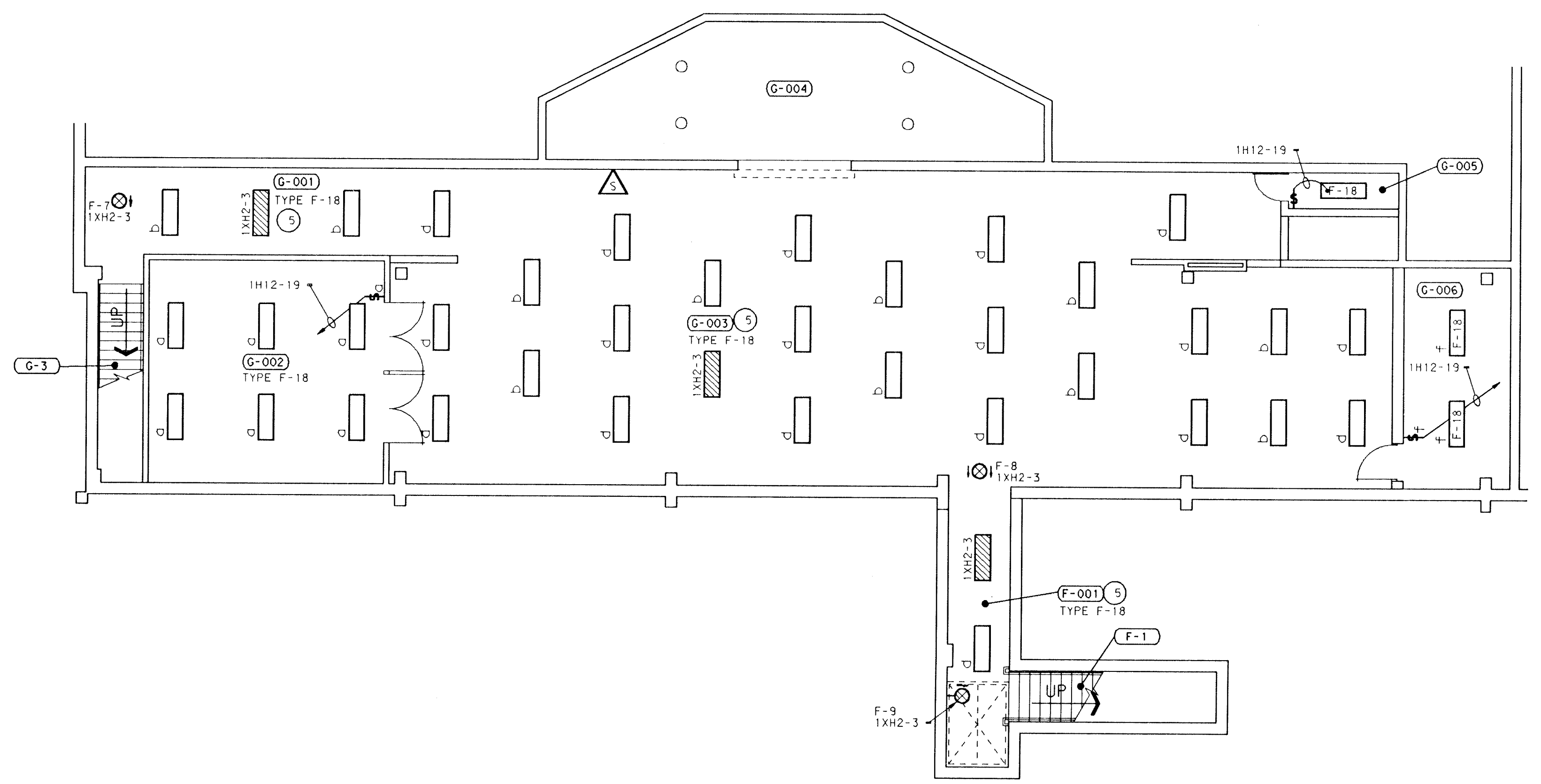
GENERAL NOTE: ALL CIRCUITS 2-#10, TYPE THW/THHN UNLESS OTHERWISE NOTED. ALL CONDUITS PER NEC. MAX CONDUIT SIZE IS 2" O AND MAX NUMBER OF CIRCUIT CONDUCTORS PER CONDUIT IS 40-#10. PROVIDE ONE (1) #10 EQUIPMENT GROUND CONDUCTOR PER CONDUIT.

Ⓢ CONTROL WIRING PER MANUFACTURER'S REQUIREMENTS.

- PLAN NOTES**  
(THESE NOTES APPLY TO THIS SHEET ONLY)
- SEE SHEETS EQ-1 AND EQ-2 FOR ELECTRICAL SYMBOLS, SCHEDULES DETAILS AND NOTES.
  - SEE SHEETS E2-1 AND E2-2 FOR ELECTRICAL SITE PLAN.
  - SEE SHEETS E8-1 THRU E8-6 FOR COMMUNICATION COMPOSITE PLANS, DISTRIBUTION DIAGRAMS AND DETAILS.
  - SEE SHEETS E6-1 AND E6-2 FOR POWER DISTRIBUTION DIAGRAM.
  - LIGHTS IN THIS ROOM CONTROLLED BY SWITCHES AT THE TOP OF STAIRS F-1 AND G-3.
  - PROVIDE WITH EMERGENCY LIGHTING TRANSFER RELAY. SEE WIRING DIAGRAM SHEET EQ-1.
  - 3/4" C, 2-#10
  - 60 AMP FUSIBLE DISCONNECT SWITCH FUSED AT 50 AMPERE FOR CONNECTION TO EXISTING ORCHESTRA LIFT MOTOR IN THIS ROOM. CONNECT TO CIRCUIT INDICATED WITH 1'C, 4-#8.
  - UP TO MIDGET SLAT SHUTTER MOTOR. MOTOR CONTROLLER BY GENERAL CONTRACTOR.

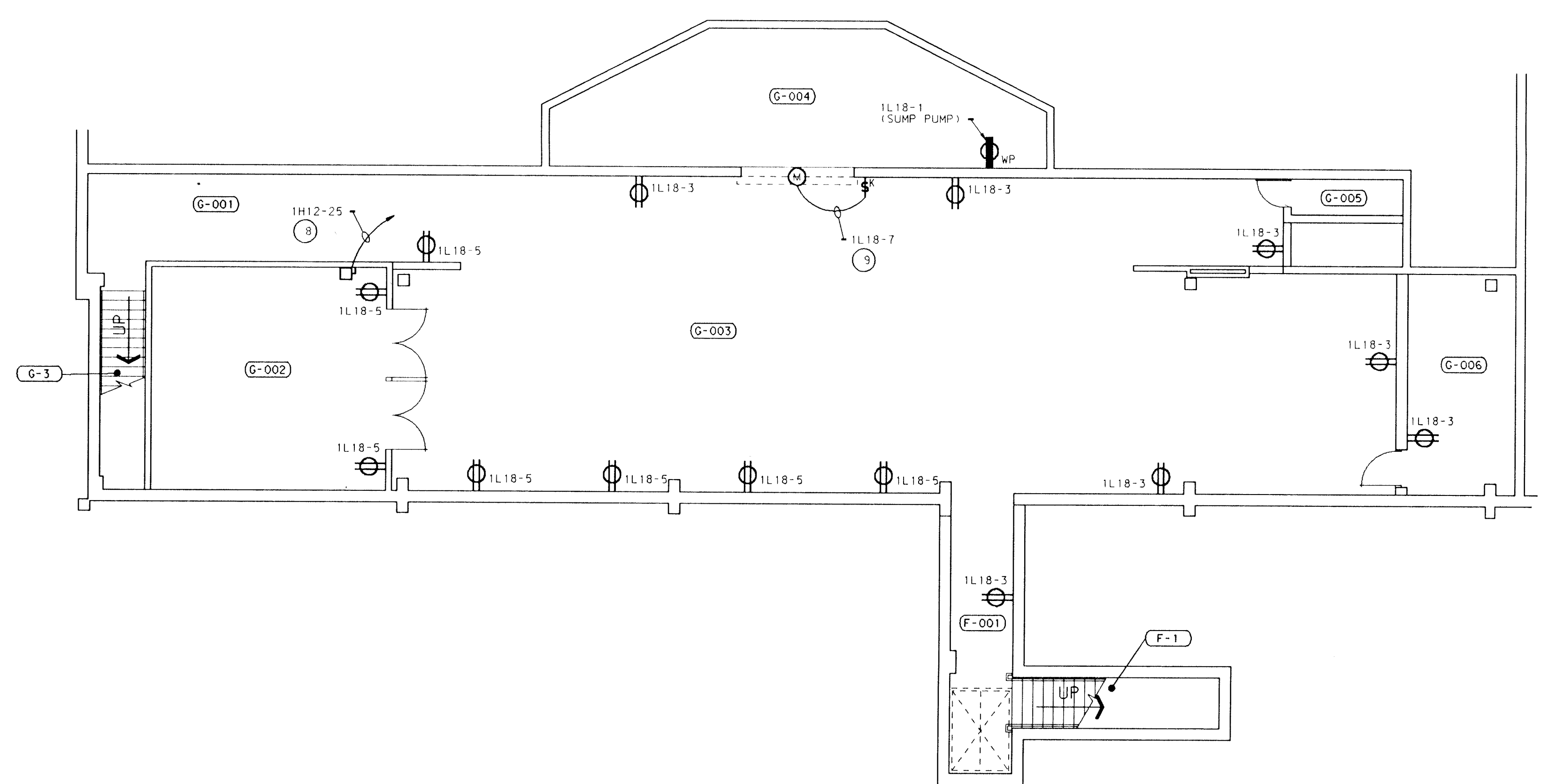
**ROOM NAME SCHEDULE**

NO	NAME
F-001	PASSAGE
F-1	STAIR
G-001	PASSAGE
G-002	EQUIPMENT
G-003	STORAGE
G-004	ORCHESTRA LIFT PIT
G-005	STORAGE
G-006	STORAGE
G-3	STAIR



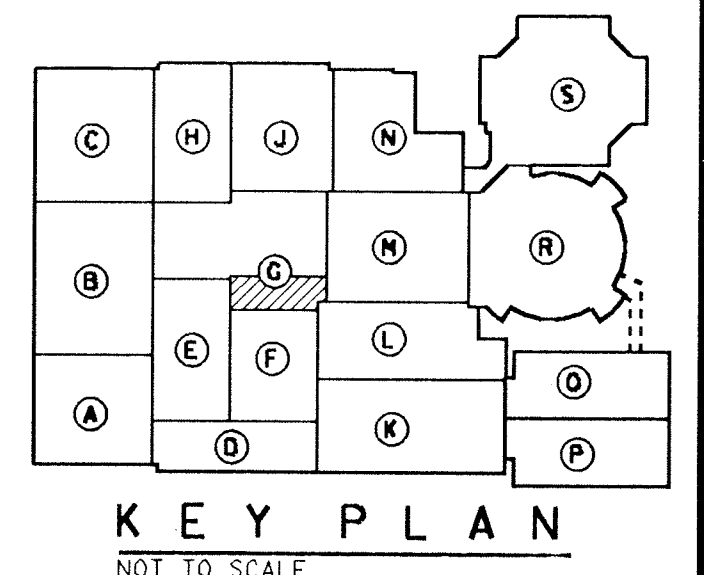
**UNIT "G" BASEMENT LIGHTING PLAN**

SCALE: 1/8" = 1'-0"



**UNIT "G" BASEMENT POWER PLAN**

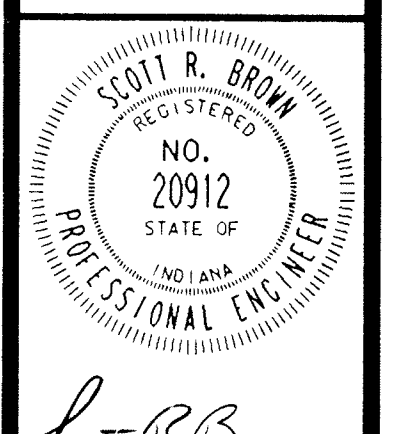
SCALE: 1/8" = 1'-0"



KEY PLAN  
NOT TO SCALE

**ADDITION TO and RENOVATION OF  
LAWRENCE CENTRAL HIGH SCHOOL**  
 for the METROPOLITAN SCHOOL DISTRICT of LAWRENCE TOWNSHIP  
 MARION COUNTY, INDIANA

**EVERETT I. BROWN Company**  
**Architects & Engineers**  
 950 NORTH MERIDIAN STREET  
 INDIANAPOLIS, INDIANA 46204  
 (317) 631-7000



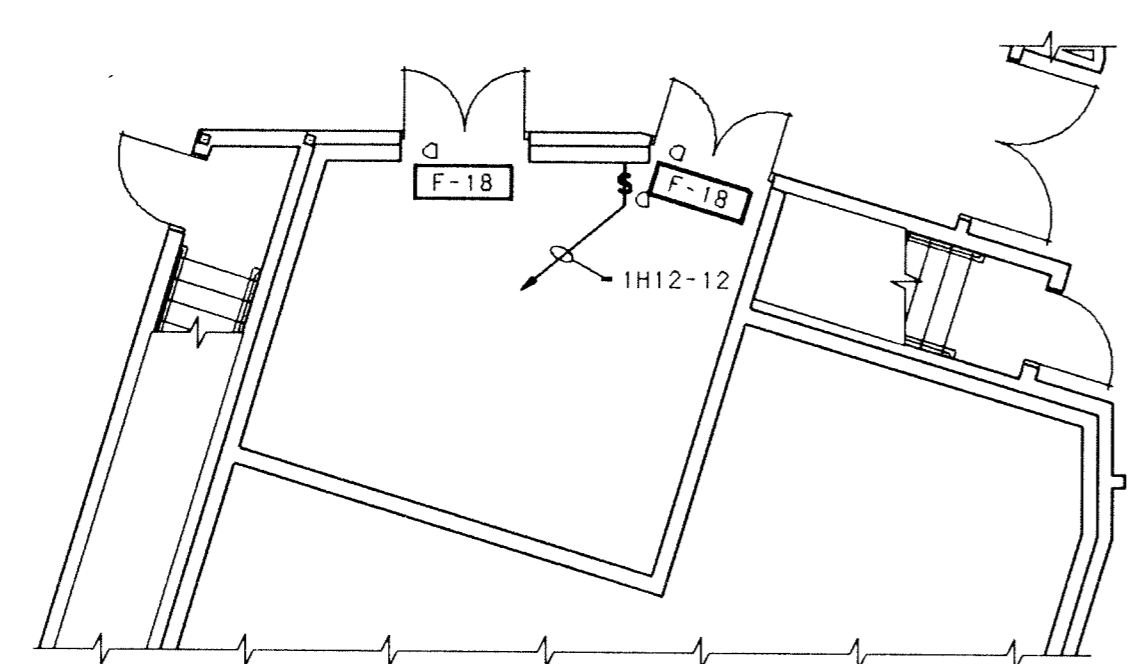
PROJECT  
871-110

DATE  
DEC. 18, 1989

REVISED  
ISSUED:  
MARCH 9, 1990  
ADDENDUM #2

NOVEMBER 21, 1991  
FOR INFORMATION  
ONLY. PREVIOUSLY  
BID IN ORIGINAL  
CONTRACT DOCUMENTS  
ISSUED DECEMBER 18, 1989

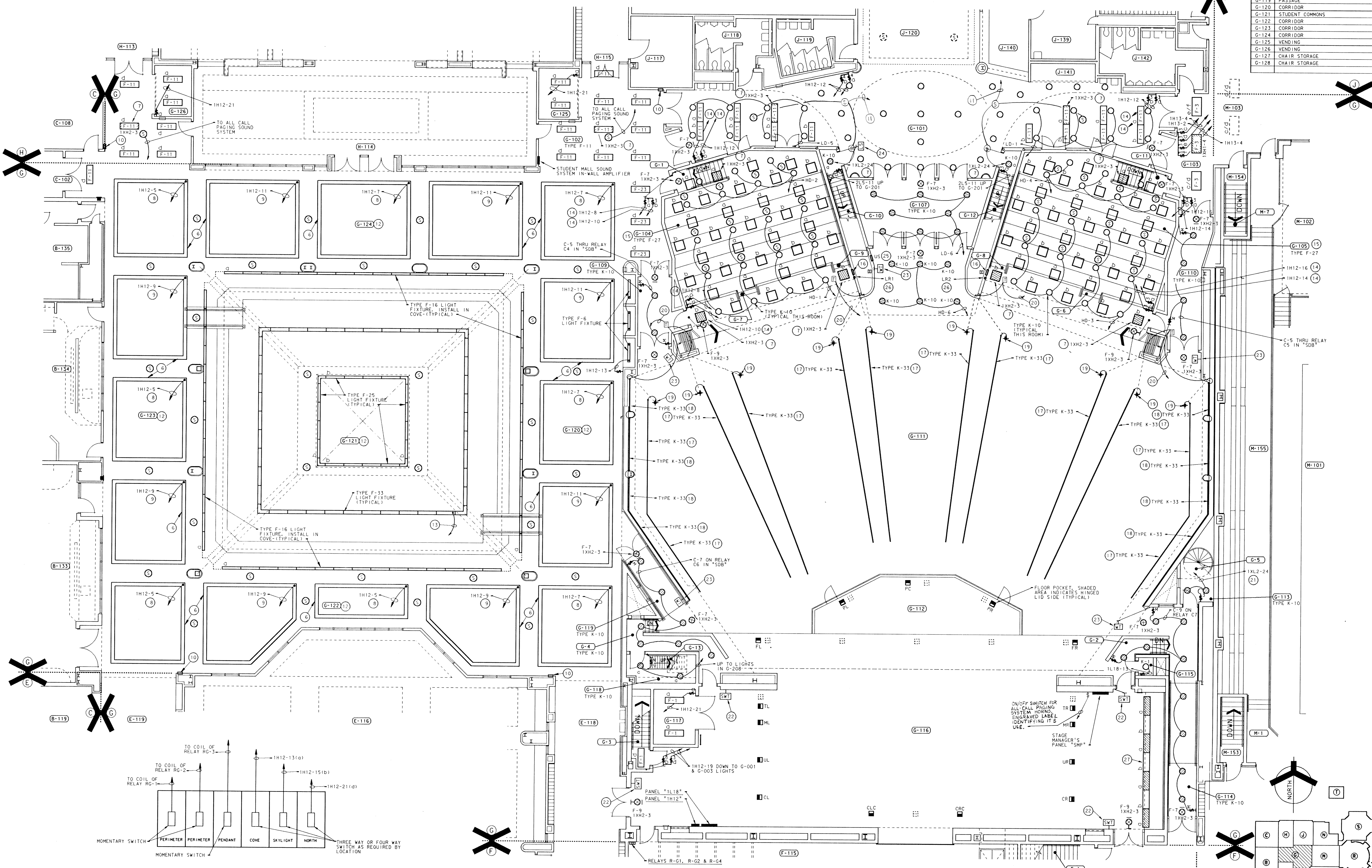
**LIGHTING PLAN OF CHAIR STORAGE G-128**  
SCALE: 1/8" = 1'-0" (CHAIR STORAGE G-127 IS OPPOSITE HAND)



- PLAN NOTES**  
(THESE NOTES APPLY TO THIS SHEET ONLY)
- SEE SHEETS E0-1 AND E0-2 FOR ELECTRICAL SYMBOLS, SCHEDULES, DETAILS AND NOTES.
  - SEE SHEET E2-1 AND E2-2 FOR ELECTRICAL SITE PLAN.
  - SEE SHEET E8-1 THRU E8-6 FOR COMMUNICATION COMPOSITE PLANS, DISTRIBUTION DIAGRAMS AND DETAILS.
  - SEE SHEET E6-1 AND E6-2 FOR POWER DISTRIBUTION DIAGRAM.
  - MULTI-SWITCHED LIGHT FIXTURES SHALL HAVE THE MIDDLE LAMP(S) CONTROLLED BY THE SWITCHES CLOSEST TO THE DOOR OPENING AND THE OUTSIDE LAMP(S) CONTROLLED BY THE OTHER SWITCHES.
  - TYPE F-17 LIGHT FIXTURE SYSTEM
  - PROVIDE WITH EMERGENCY LIGHTING TRANSFER RELAY. SEE WIRING DIAGRAM SHEET E0-1.
  - TO RELAY R-G1, CONNECT TO CIRCUIT INDICATED.
  - TO RELAY R-G2, CONNECT TO CIRCUIT INDICATED.
  - MALL LIGHTING CONTROL STATION. SEE DETAIL THIS SHEET.
  - TO HALL OF FAME J-120 SOUND SYSTEM.
- UP TO LIGHT FIXTURE AT TOP OF STAIR IN ROOM G-209. SEE UNIT "G" SECOND FLOOR ELECTRICAL PLAN.
  - \*SWT\* STAGE WALK-THRU STATION. SEE DIMMER SYSTEM DIAGRAM ON SHEET E3-7.
  - \*WT\* AUDITORIUM WALK-THRU STATION. SEE DIMMER SYSTEM DIAGRAM ON SHEET E3-7.
  - \*LS\* LOBBY STATION. SEE DIMMER SYSTEM DIAGRAM ON SHEET E3-7.
  - \*US\* USHER STATION. SEE DIMMER SYSTEM DIAGRAM ON SHEET E3-7.
  - \*LR1\* AND \*LR2\* LECTURE ROOM STATIONS. SEE DIMMER SYSTEM DIAGRAM ON SHEET E3-7.
  - SEVEN TYPE F-36 LIGHT FIXTURES. CONNECT "a" LEG FIXTURES TO CIRCUIT C-26 THROUGH RELAY C16 IN "SDB". CONNECT "b" LEG FIXTURES TO CIRCUIT C-23 THROUGH RELAY C17 IN "SDB". PROVIDE FA0LB TYPE LAMPS IN ALL "a" LEG FIXTURES. INSTALL FIXTURES ON STRUCTURAL CHANNEL BRACKETS MOUNTED TO EAST WALL OF STAGE AND AT A HEIGHT OF 8'-0".
  - CONNECT SPEAKERS IN THIS ROOM TO STUDENT MALL SOUND SYSTEM IN-WALL AMPLIFIER UNLESS OTHERWISE NOTED.
  - 1H12-2, 4 & 6 TO RELAY R-G3. USE CIRCUIT 1H12-2 FOR THE UP LAMPS 1H12-4 FOR THE NORTH AND EAST DOWN LAMPS AND 1H12-6 FOR THE SOUTH AND WEST DOWN LAMPS.
  - TO RELAY R-G4 IN ROOM F-115.
  - CONNECT ALL SPEAKERS IN THIS ROOM TO THE IN-WALL AMPLIFIER LOCATED IN THIS ROOM.
  - IN-WALL AMPLIFIER FOR LECTURE ROOM.
  - FIXTURE TYPE K-33 SHALL BE MOUNTED WITH CARPET TO BARE FLOOR NATURAL ALUMINUM EXTRUSIONS. STAIRFIRE "CE-NA." (SEE SHEET A2-24 FOR EXACT LOCATION.)
  - FIXTURE TYPE K-33 SHALL BE MOUNTED WITH CARPET TO WALL NATURAL ALUMINUM EXTRUSIONS. STAIRFIRE "CE-NA." (SEE SHEET A2-24 FOR EXACT LOCATION.)
  - STUB UP CONDUIT UNDERNEATH AUDITORIUM SEAT AND TRENCH CONCRETE SLAB FOR ROUTING OF CONDUIT.
  - 120V/12X, 250 WATT TRANSFORMER (STAIRFIRE \*TR500) LOCATED ABOVE THE CEILING SHALL BE CIRCUITED TO THE DIMMER LOCATED IN THE UPPER BOOTH G-202.

**ROOM NAME SCHEDULE**

NO	NAME	NO	NAME
G-1	STAIR	G-101	LOBBY
G-2	STAIR	G-102	WEST LOBBY
G-3	STAIR	G-103	EAST LOBBY
G-4	STAIR	G-104	LECTURE
G-5	STAIR	G-105	LECTURE
G-6	STAIR	G-106	NOT USED
G-7	STAIR	G-107	VOMITORY
G-8	STAIR	G-108	NOT USED
G-9	STAIR	G-109	VOMITORY
G-10	STAIR	G-110	VOMITORY
G-11	STAIR	G-111	AUDITORIUM
G-12	STAIR	G-112	ORCHESTRA LIFT
G-13	STAIR	G-113	CATWALK ACCESS
		G-114	CORRIDOR
		G-115	STORAGE
		G-116	STAGE
		G-117	PIANO STORAGE
		G-118	STORAGE
		G-119	PASSAGE
		G-120	CORRIDOR
		G-121	STUDENT COMMONS
		G-122	CORRIDOR
		G-123	CORRIDOR
		G-124	CORRIDOR
		G-125	VENDING
		G-126	VENDING
		G-127	CHAIR STORAGE
		G-128	CHAIR STORAGE



**MALL LIGHTING CONTROL STATION**  
NOT TO SCALE

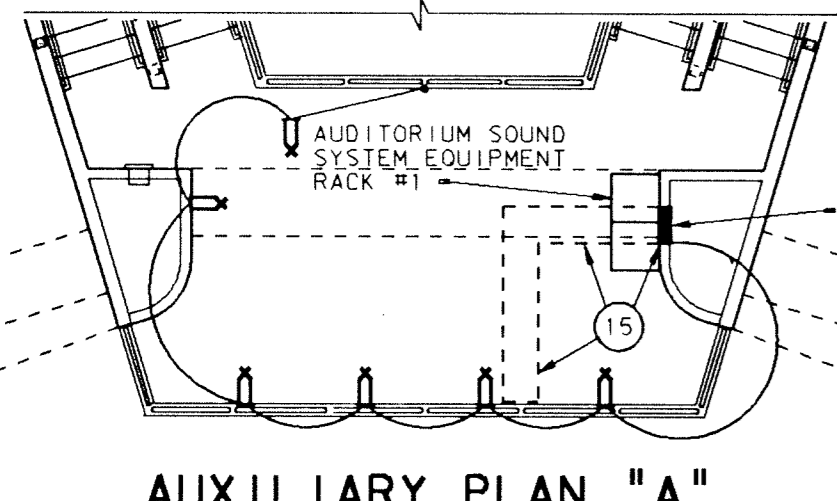
**UNIT "G" LIGHTING PLAN**  
SCALE: 1/8" = 1'-0"

**ADDITION TO and RENOVATION OF LAWRENCE CENTRAL HIGH SCHOOL**  
 for the METROPOLITAN SCHOOL DISTRICT of LAWRENCE TOWNSHIP  
 MARION COUNTY, INDIANA

**EVERETT I. Company**  
**BROWN**  
 Architects & Engineers  
 950 NORTH MERIDIAN STREET  
 INDIANAPOLIS, INDIANA 46204  
 (317) 631-7880

SCOTT R. BROWN  
 REGISTERED  
 NO. 20912  
 STATE OF INDIANA  
 PROFESSIONAL ENGINEER

PROJECT 871-110  
 DATE DEC. 18, 1989  
 REVISED  
 ISSUED: MARCH 9, 1990  
 ADDENDUM #2  
 NOVEMBER 21, 1991  
 FOR INFORMATION ONLY. PREVIOUSLY  
 BID IN ORIGINAL CONTRACT DOCUMENTS ISSUED  
 DECEMBER 18, 1989

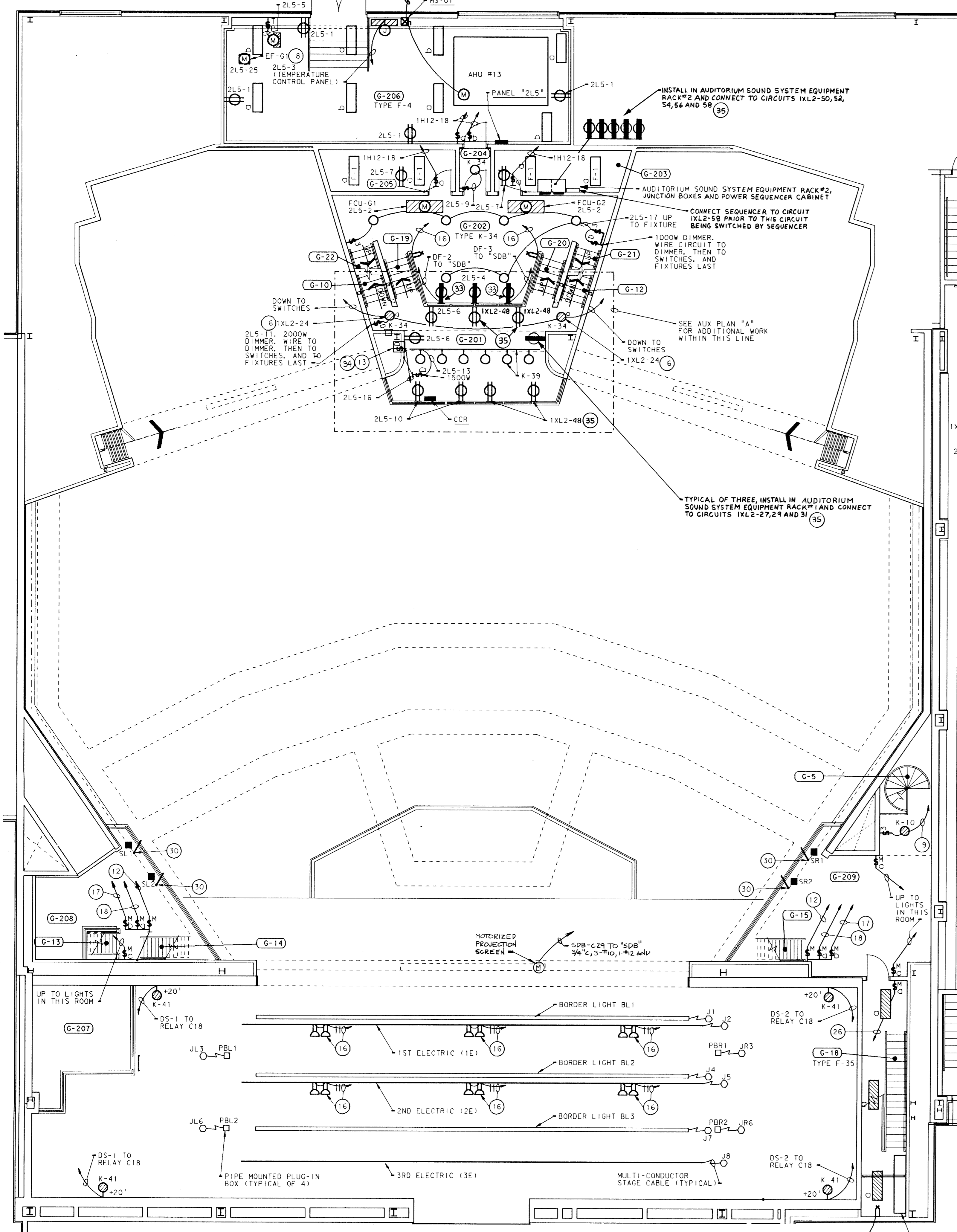


**AUXILIARY PLAN "A"**  
SCALE: 1/8" = 1'-0"

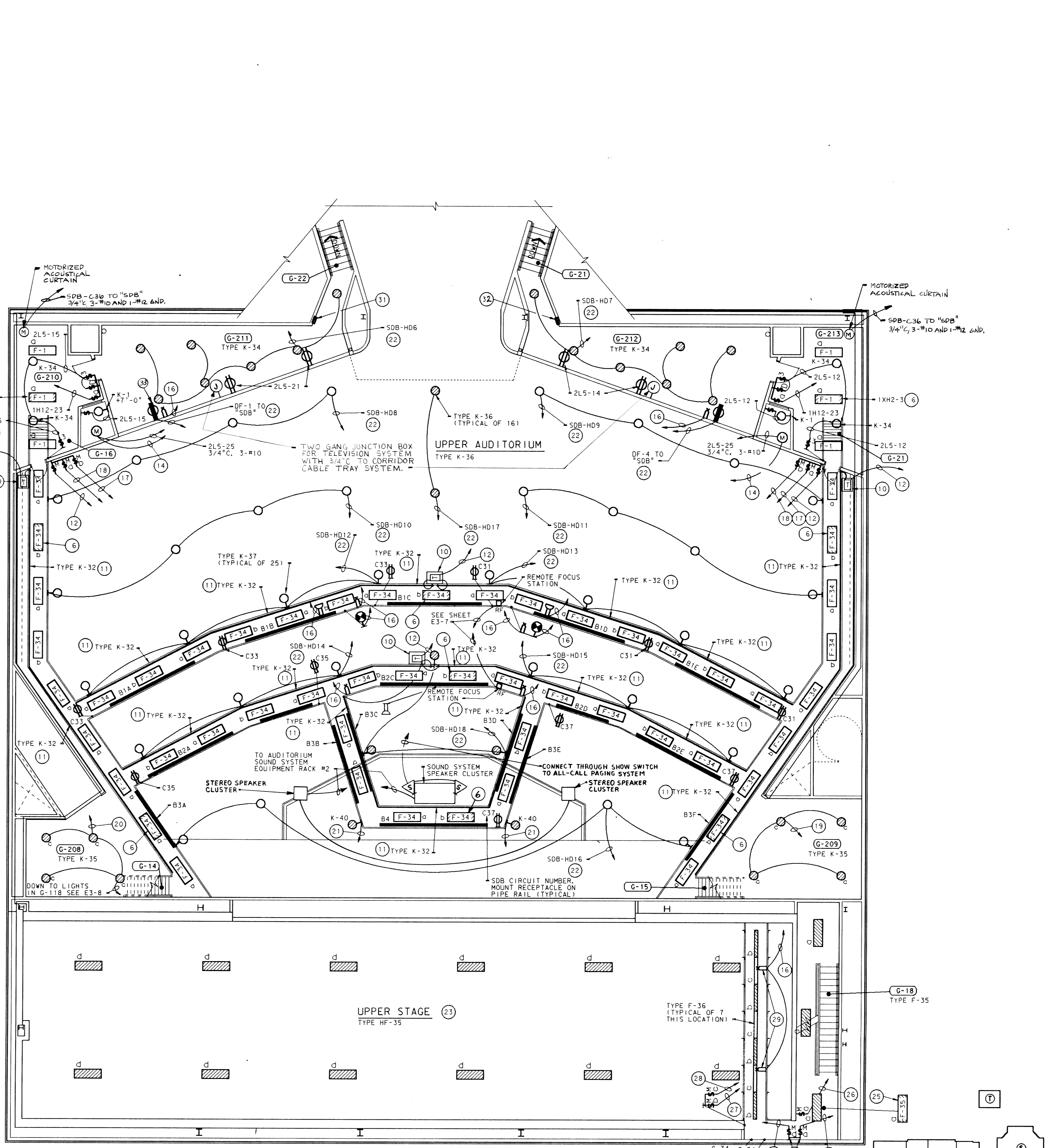
- 28 CONNECT LIGHTS TO CIRCUIT C-21 CONTROLLED BY RELAY C15. FIXTURE TYPE F-36 WITH 4x8 BLACK LIGHT BLUE LAMPS.
- 29 MOUNT ON PIPE RAILING.
- 30 1 1/2" BLACK PIPE LADDER CONSISTING OF ONE VERTICAL PIPE SPANNING FROM THE FLOOR TO THE CATWALK AND THREE 1/2" LONG HORIZONTAL PIPES. CONNECT VERTICAL PIPE TO FLOOR WITH PIPE SLEEVE IN FLOOR WITH TWO KEYS TO PREVENT PIPE ROTATION. AND TO CATWALK ABOVE WITH CLAMPS TO FACILITATE EASY REMOVAL. CONNECT HORIZONTAL PIPES TO VERTICAL PIPE AT 10'-0", 8'-0", AND 6'-0" ABOVE THE FLOOR USING STANDARD "H" PIPE FITTINGS.
- 31 LOCAL CONTROL STATION FOR SDB-H06.
- 32 LOCAL CONTROL STATION FOR SDB-H07.
- 33 ENGRAVE COVER WITH 1/8" HIGH LETTERING TO READ "FOLLOW SPOT OUTLET" WITH CIRCUIT NUMBER.
- 34 ONE TELEVISION TRAP OFF AND ONE VIS BOX AT +20' BELOW THE DIMMER THAT CONTROLS THE TRACK LIGHTS FOR THIS ROOM.
- 35 CIRCUIT(S) CONTROLLED BY AUDITORIUM SOUND SYSTEM SEQUENCER.
- 17 SDB-C11 AND SDB-C13 TO RELAY C-8, 3/4"C, 2-#10, 1-#12 GRD. ALL LAMPS SWITCH "ON" SHALL BE F40BLB. CONNECT 12 FIXTURES PER CIRCUIT.
- 18 SDB-C26 AND SDB-C27 TO RELAY C-9, 3/4"C, 2-#10, 1-#12 GRD. CONNECT 13 FIXTURES TO C26 AND 14 FIXTURES TO C27.
- 19 SDB-C1 TO RELAY C-1, 3/4"C, 2-#10, 1-#12 GRD.
- 20 SDB-C3 TO RELAY C-1, 3/4"C, 2-#10, 1-#12 GRD.
- 21 SDB-C17 TO RELAY C-11, 3/4"C, 2-#10, 1-#12 GRD. (NIGHT LIGHT.)
- 22 3/4"C, 2-#10, 1-#12 GRD.
- 23 INSTALL THESE FIXTURES ABOVE STAGE GRIDIRON CLEAR OF RIGGING.
- 24 GRIDIRON LIGHT FIXTURES TO CIRCUIT C-19 CONTROLLED BY RELAY C12.
- 25 INSTALL AT GRIDIRON ACCESS LEVEL.
- 26 CONNECT LIGHTS TO CIRCUIT C-21 CONTROLLED BY RELAY C15.
- 27 CONNECT LIGHTS TO CIRCUIT C-21 CONTROLLED BY RELAY C14. FIXTURE TYPE 15 F-36.

- PLAN NOTES**  
(THESE NOTES APPLY TO THIS SHEET ONLY)
- 1 SEE SHEETS E0-1 AND E0-2 FOR ELECTRICAL SYMBOLS, SCHEDULES DETAILS AND NOTES.
  - 2 SEE SHEET E2-1 AND E2-2 FOR ELECTRICAL SITE PLAN.
  - 3 SEE SHEET E8-1 THRU E8-6 COMMUNICATIONS COMPOSITE PLANS, DISTRIBUTION DIAGRAMS AND DETAILS.
  - 4 SEE SHEET E6-1 AND E6-2 FOR POWER DISTRIBUTION DIAGRAM.
  - 5 MULTI-SWITCHED LIGHT FIXTURES SHALL HAVE THE MIDDLE LAMP(S) CONTROLLED BY THE SWITCHES CLOSEST TO THE DOOR OPENING AND THE OUTSIDE LAMP(S) CONTROLLED BY THE OTHER SWITCHES.
  - 6 PROVIDE WITH EMERGENCY LIGHTING TRANSFER RELAY. SEE WIRING DIAGRAM SHEET E0-1.
  - 7 3/4"C, 2-#10 AND 1-#12 GRD.
  - 8 SEE AUTOMATIC EXHAUST FAN SCHEDULE SHEET E0-2 FOR CONTROL.
  - 9 DOWN TO LIGHT FIXTURES IN ROOM G-113. SEE UNIT "G" FIRST FLOOR LIGHTING ELECTRICAL PLAN ON SHEET E3-8.

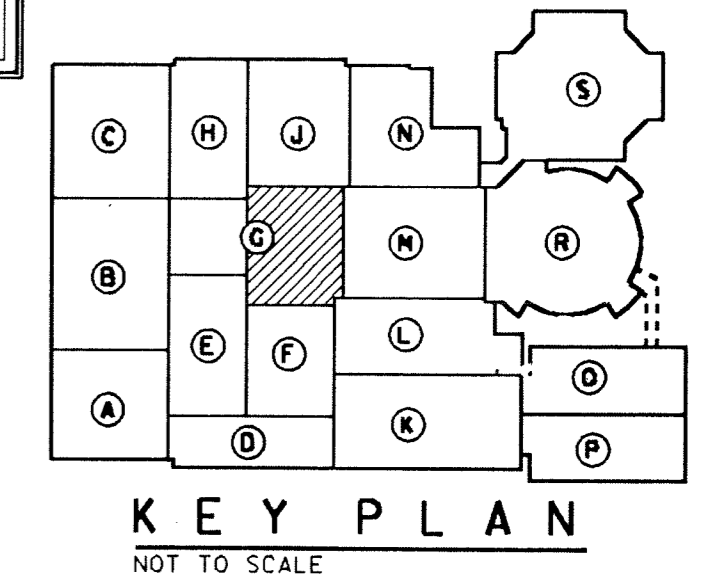
ROOM NAME SCHEDULE			
NO	NAME	NO	NAME
G-5	STAIR	G-201	LOWER BOOTH
G-13	STAIR	G-202	UPPER BOOTH
G-13	STAIR	G-203	STORAGE
G-14	STAIR	G-204	VESTIBULE
G-15	STAIR	G-205	STORAGE
G-16	STAIR	G-206	MECHANICAL EQUIPMENT
G-17	STAIR	G-207	MEZZANINE
G-18	STAIR	G-208	WEST SPOTLIGHT
G-19	STAIR	G-209	EAST SPOTLIGHT
G-20	STAIR	G-210	STORAGE
G-21	STAIR	G-211	WEST GALLERY
G-22	STAIR	G-212	EAST GALLERY
		G-213	STORAGE



**UNIT "G" SECOND FLOOR ELECTRICAL PLAN**  
SCALE: 1/8" = 1'-0"



**UNIT "G" MEZZANINE ELECTRICAL PLAN**  
SCALE: 1/8" = 1'-0"



**ADDITION TO AND RENOVATION OF LAWRENCE CENTRAL HIGH SCHOOL**  
 for the METROPOLITAN SCHOOL DISTRICT of LAWRENCE TOWNSHIP  
 MARION COUNTY, INDIANA

**EVERETT L. BROWN Company**  
 Architects & Engineers  
 905 NORTH MERIDIAN STREET  
 INDIANAPOLIS, INDIANA 46204  
 (317) 237-7000

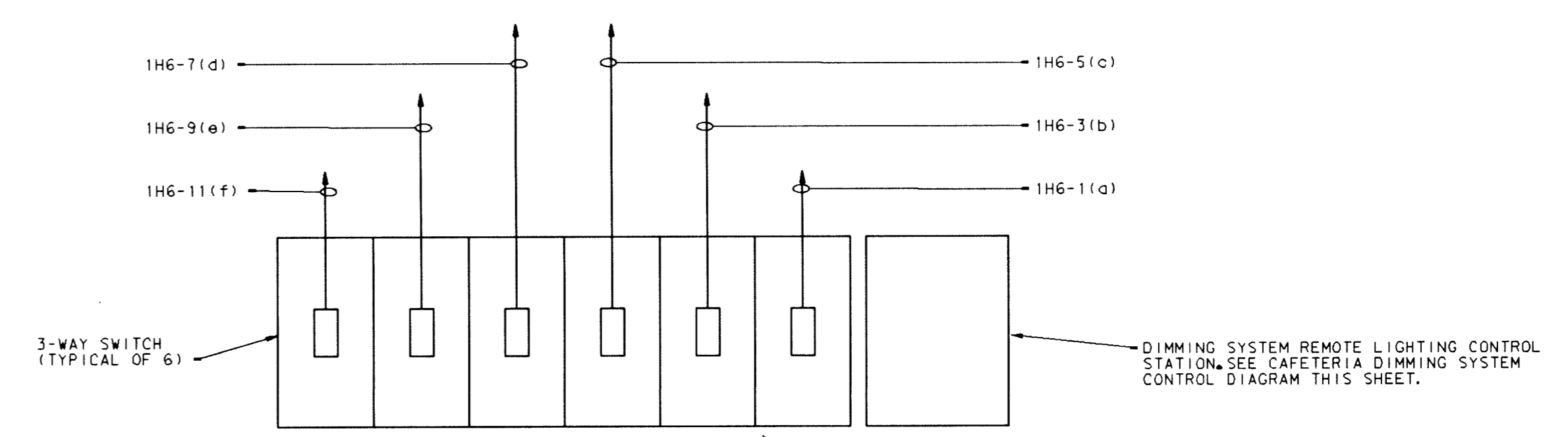
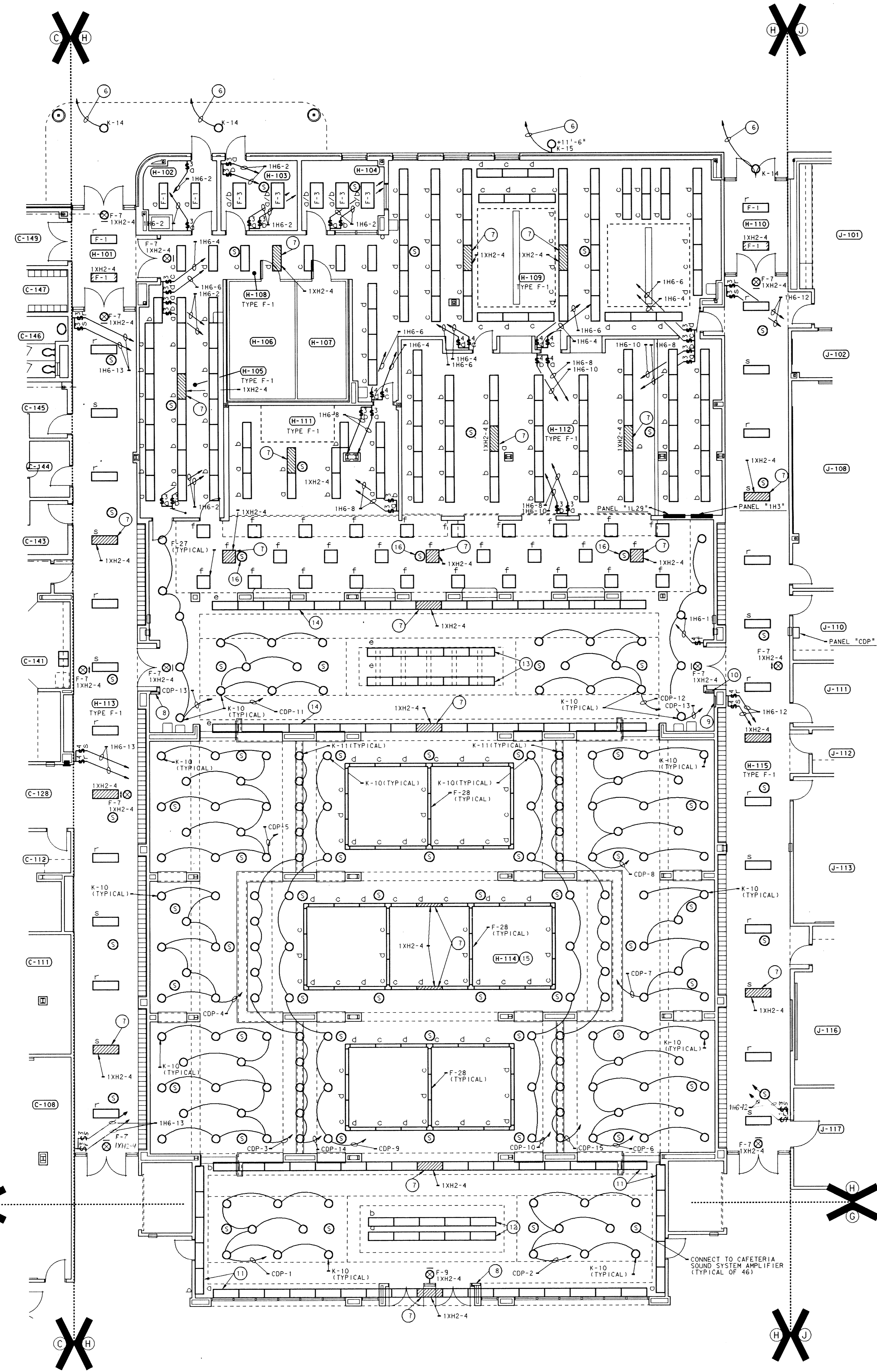
REGISTERED PROFESSIONAL ENGINEER  
 NO. 20912  
 STATE OF INDIANA

PROJECT 871-110  
 DATE DEC. 18, 1989  
 REVISED  
 ISSUED: MARCH 9, 1990 ADDENDUM #2  
 - RE ISSUED: MARCH 15, 1990 ADDENDUM #3  
 NOVEMBER 21, 1991 FOR INFORMATION ONLY PREVIOUSLY BLD IN ORIGINAL CONTRACT DOCUMENTS ISSUED DECEMBER 18, 1989

NO. E3-9  
 OF 20

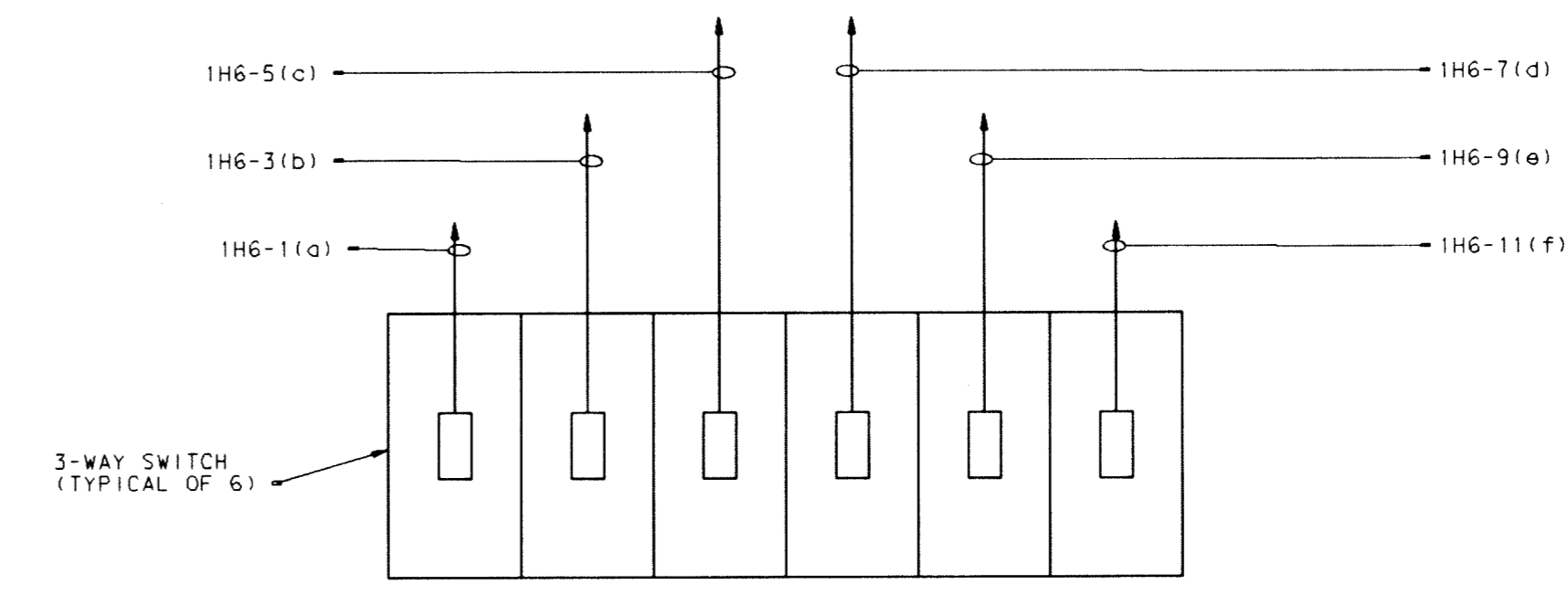
ROOM NAME SCHEDULE	
NO	NAME
H-101	VESTIBULE
H-102	TRASH
H-103	RECEIVING
H-104	OFFICE
H-105	WAREWASHING
H-106	FREEZER
H-107	COOLER
H-108	PASSAGE
H-109	KITCHEN
H-110	VESTIBULE
H-111	FAST FOODS
H-112	SERVING
H-113	CORRIDOR
H-114	CAFETERIA
H-115	CORRIDOR

- PLAN NOTES:**  
(THESE NOTES APPLY TO THIS SHEET ONLY)
- SEE SHEETS E0-1 AND E0-1 FOR ELECTRICAL SYMBOLS, SCHEDULES, DETAILS AND NOTES.
  - SEE SHEET E2-1 AND E2-2 FOR ELECTRICAL SITE PLAN.
  - SEE SHEET E8-1 THRU E8-6 FOR COMMUNICATIONS COMPOSITE PLANS, DISTRIBUTION DIAGRAMS AND DETAILS.
  - SEE SHEET E6-1 AND E6-2 FOR POWER DISTRIBUTION DIAGRAMS.
  - MULTI-SWITCHED LIGHT FIXTURES SHALL HAVE THE MIDDLE LAMP(S) CONTROLLED BY THE SWITCH(S) CLOSEST TO THE DOOR OPENING AND THE OUTSIDE LAMP(S) CONTROLLED BY THE OTHER SWITCHES.
  - 1H5-15 TO PHOTOCELL/TIMECLOCK CONTROLLED RELAY R-2.
  - PROVIDE WITH EMERGENCY LIGHTING TRANSFER RELAY- SEE WIRING DIAGRAM SHEET ED-1.
  - LIGHTING CONTROL STATION "A". SEE DETAIL THIS SHEET.
  - CAFETERIA DIMMING SYSTEM MASTER CONTROL STATION. SEE CAFETERIA DIMMING SYSTEM CONTROL DIAGRAM THIS SHEET.
  - LIGHTING CONTROL STATION "B" SEE DETAIL THIS SHEET.
  - TYPE F-16 LIGHT FIXTURES INSTALLED IN COVE. SEE DETAIL 2 SHEET A7-20.
  - TYPE F-19 LIGHT FIXTURES INSTALLED IN ARTIFICIAL SKYLIGHT. SEE DETAIL 2 SHEET A7-20.
  - TYPE F-29 LIGHT FIXTURES. SEE DETAIL 5 SHEET A7-20 FOR MOUNTING HEIGHT.
  - TYPE F-16 LIGHT FIXTURES INSTALLED IN COVE. SEE DETAIL 5 SHEET A7-20.
  - FOR EXACT LOCATION OF LIGHT FIXTURES IN THIS ROOM SEE REFLECTED CEILING PLAN SHEET A6-3.
  - CONNECT SPEAKER TO ALL CALL PAGING SYSTEM.

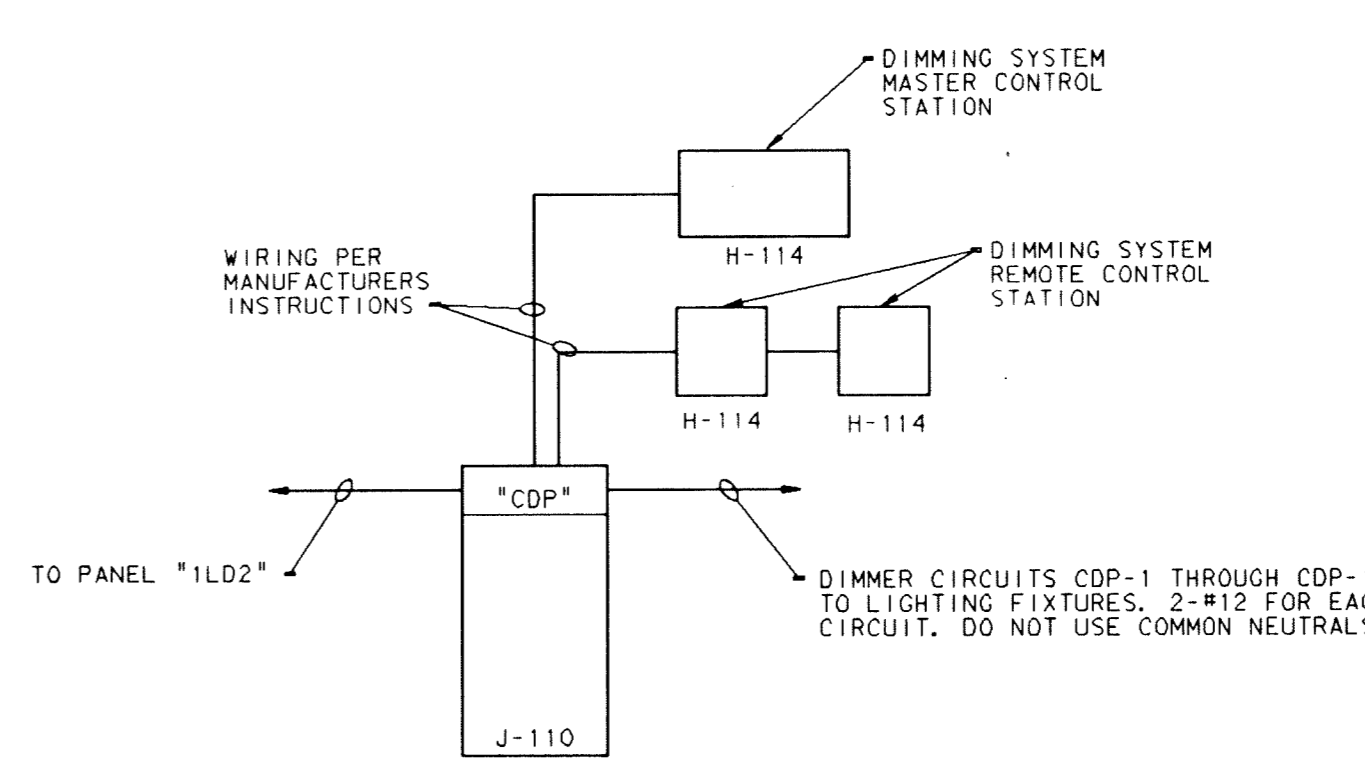


**LIGHTING CONTROL STATION "A"**  
NOT TO SCALE

**NOTE:**  
TWO(2) REQUIRED IN H-114, ONE AT NORTHWEST ENTRANCE AND ANOTHER AT SOUTH ENTRANCE

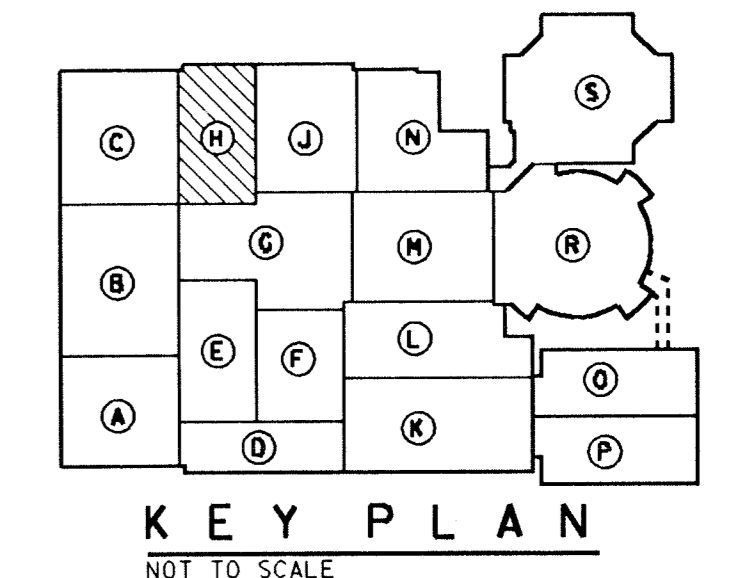
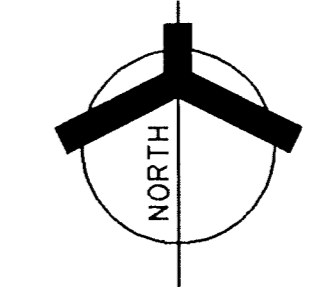


**LIGHTING CONTROL STATION "B"**  
NOT TO SCALE



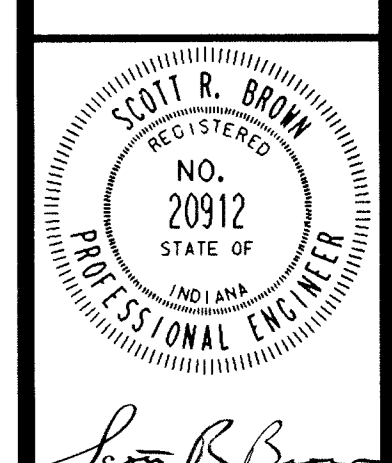
**CAFETERIA DIMMING SYSTEM CONTROL DIAGRAM**  
NOT TO SCALE

**UNIT "H" LIGHTING PLAN**  
SCALE: 1/8" = 1'-0"



**ADDITION TO and RENOVATION OF**  
**LAWRENCE CENTRAL HIGH SCHOOL**  
 for the METROPOLITAN SCHOOL DISTRICT of LAWRENCE TOWNSHIP  
 MARION COUNTY, INDIANA

**EVERETT I. BROWN** Company  
 Architects & Engineers  
 950 NORTH MERIDIAN STREET  
 INDIANAPOLIS, INDIANA 46204  
 (317) 237-7000



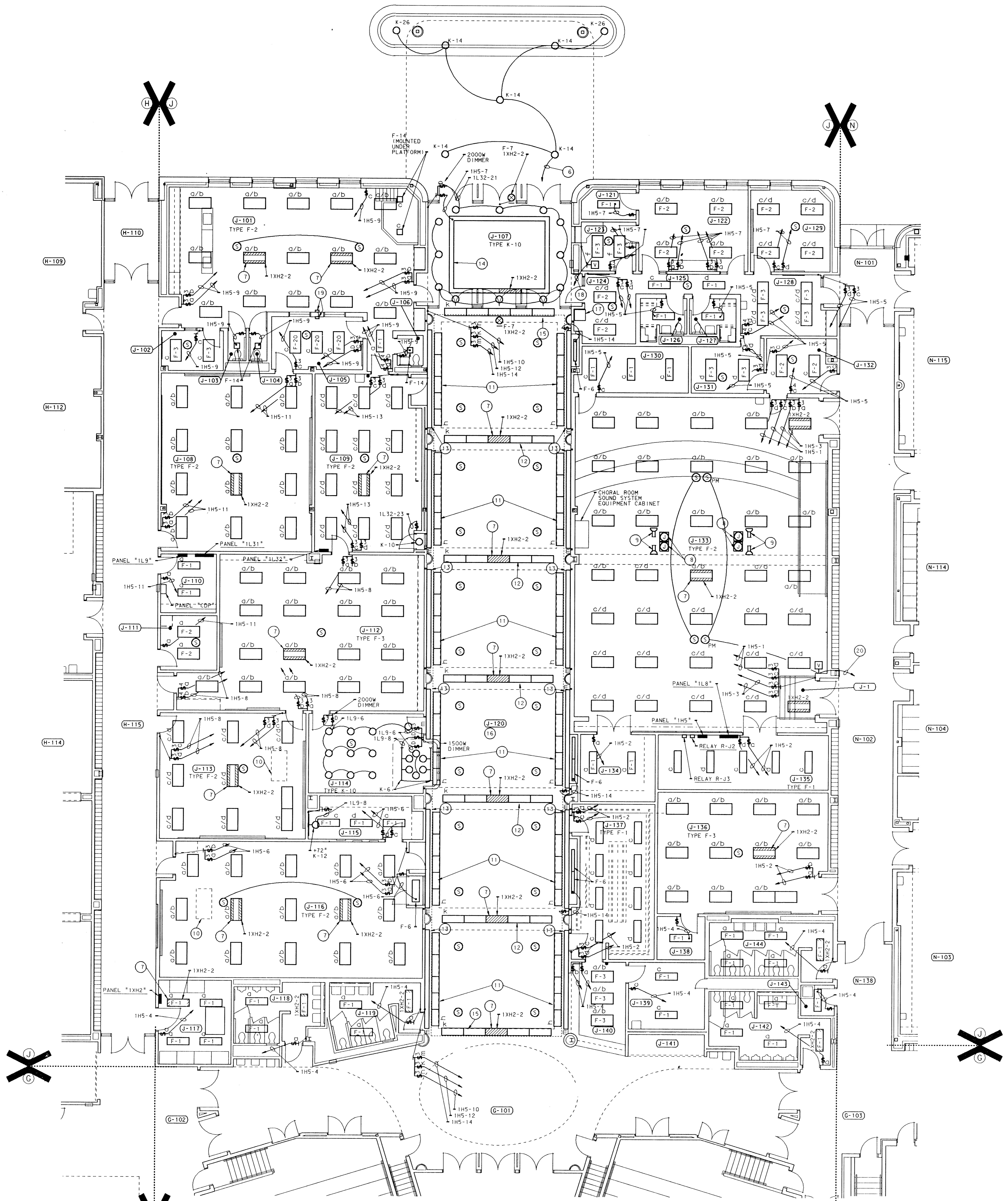
PROJECT  
 871-110  
 DATE  
 DEC. 18, 1989  
 REVISED  
 NOVEMBER 21, 1991  
 FOR INFORMATION  
 ONLY PREVIOUSLY  
 BID IN ORIGINAL  
 CONTRACT DOCUMENTS  
 ISSUED  
 DECEMBER 18, 1989

ROOM NAME SCHEDULE

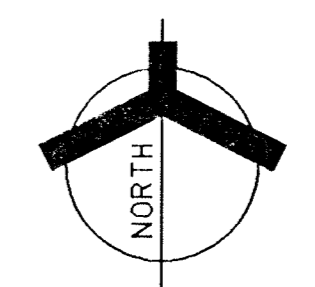
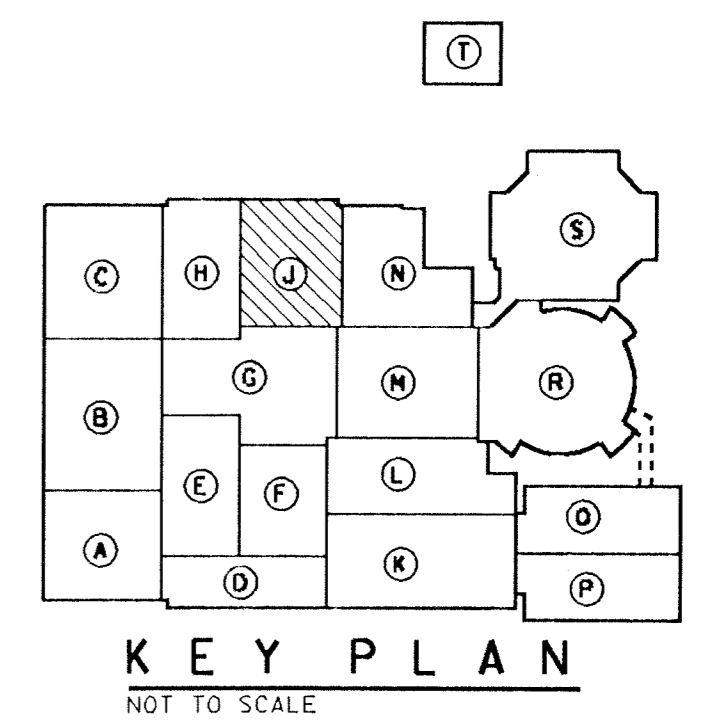
NO	NAME
J-101	HOME ECONOMICS
J-102	OFFICE
J-103	TOILET
J-104	TOILET
J-105	OFFICE
J-106	TOILET
J-107	VESTIBULE
J-108	RECITATION
J-109	CATERING
J-110	STORAGE
J-111	OFFICE
J-112	FOODS LABORATORY
J-113	RECITATION
J-114	LIVING DINING
J-115	DRESSING
J-116	SEWING LABORATORY
J-117	ELECTRICAL
J-118	MEN
J-119	WOMEN
J-120	HALL OF FAME
J-121	STORAGE
J-122	PERFORMING ARTS OFFICE
J-123	BOX OFFICE
J-124	SECRETARY
J-125	PASSAGE
J-126	TOILET
J-127	TOILET
J-128	WORKROOM
J-129	CONFERENCE
J-130	COSTUMES
J-131	MUSIC LIBRARY
J-132	OFFICE
J-133	CHORAL
J-134	PROPS
J-135	PLATFORM STORAGE
J-136	ELECTRONIC MUSIC
J-137	COATS
J-138	STORAGE
J-139	STORAGE
J-140	CONCESSIONS
J-141	VENDING
J-142	BOYS
J-143	CUSTODIAN
J-144	GIRLS
G-1	STAIR

PLAN NOTES:

- (THESE NOTES APPLY TO THIS SHEET ONLY)
- SEE SHEETS E0-1 AND E0-2 FOR ELECTRICAL SYMBOLS, SCHEDULES, DETAILS AND NOTES.
- SEE SHEET E2-1 AND E2-2 FOR ELECTRICAL SITE PLAN.
- SEE SHEET E8-1 THRU E8-6 FOR COMMUNICATIONS COMPOSITE PLANS, DISTRIBUTION DIAGRAMS AND DETAILS.
- SEE SHEET E6-1 AND E6-2 FOR POWER DISTRIBUTION DIAGRAMS.
- MULTI-SWITCHED LIGHT FIXTURES SHALL HAVE THE MIDDLE LAMP(S) CONTROLLED BY THE SWITCHES CLOSEST TO THE DOOR OPENING AND THE OUTSIDE LAMP(S) CONTROLLED BY THE OTHER SWITCHES.
- IHS-17 TO PHOTOCELL/TIMELOCK CONTROLLED RELAY R-J3.
- PROVIDE WITH EMERGENCY LIGHTING TRANSFER RELAY. SEE WIRING DIAGRAM SHEET E0-1.
- CEILING MOUNTED STEREO SPEAKER. CONNECT TO CHORAL ROOM SOUND SYSTEM JUNCTION BOX. MOUNT 12" BELOW CEILING. SEE DETAIL SHEET E3-15.
- CEILING MOUNTED MICROPHONE INPUT. CONNECT TO CHORAL ROOM SOUND SYSTEM JUNCTION BOX.
- OUTLINE OF OVERHEAD DEMONSTRATION MIRROR.
- TYPE F-16 LIGHT FIXTURE INSTALLED IN COVE. SEE DETAIL 4 SHEET A7-21.
- TYPE F-18 LIGHT FIXTURE INSTALLED IN COVE. SEE DETAIL 5 SHEET A7-21.
- TYPE F-17 LIGHT FIXTURE SYSTEM. SEE DETAIL 4 SHEET A7-21.
- TYPE F-17 LIGHT FIXTURE SYSTEM. SEE DETAIL 5 SHEET A7-6.
- TYPE F-16 LIGHT FIXTURE INSTALLED IN COVE. SEE DETAIL 5 SHEET A7-6.
- CONNECT ALL SPEAKERS IN THIS ROOM TO HALL OF FAME SOUND SYSTEM.
- HALL OF FAME SOUND SYSTEM EQUIPMENT RACK.
- TO HALL OF FAME SOUND SYSTEM.
- HOME ECONOMICS INTERCOM SYSTEM. PROVIDE STATIONS IN J-101 AND J-105. CONNECT TO CIRCUIT 1L32-4.
- TO AUDITORIUM PROGRAM MONITOR SOUND SYSTEM.

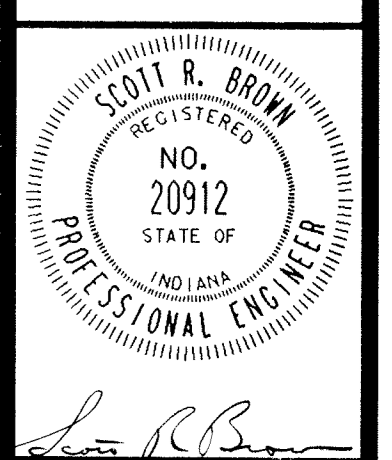


UNIT "J" LIGHTING PLAN  
SCALE: 1/8" = 1'-0"

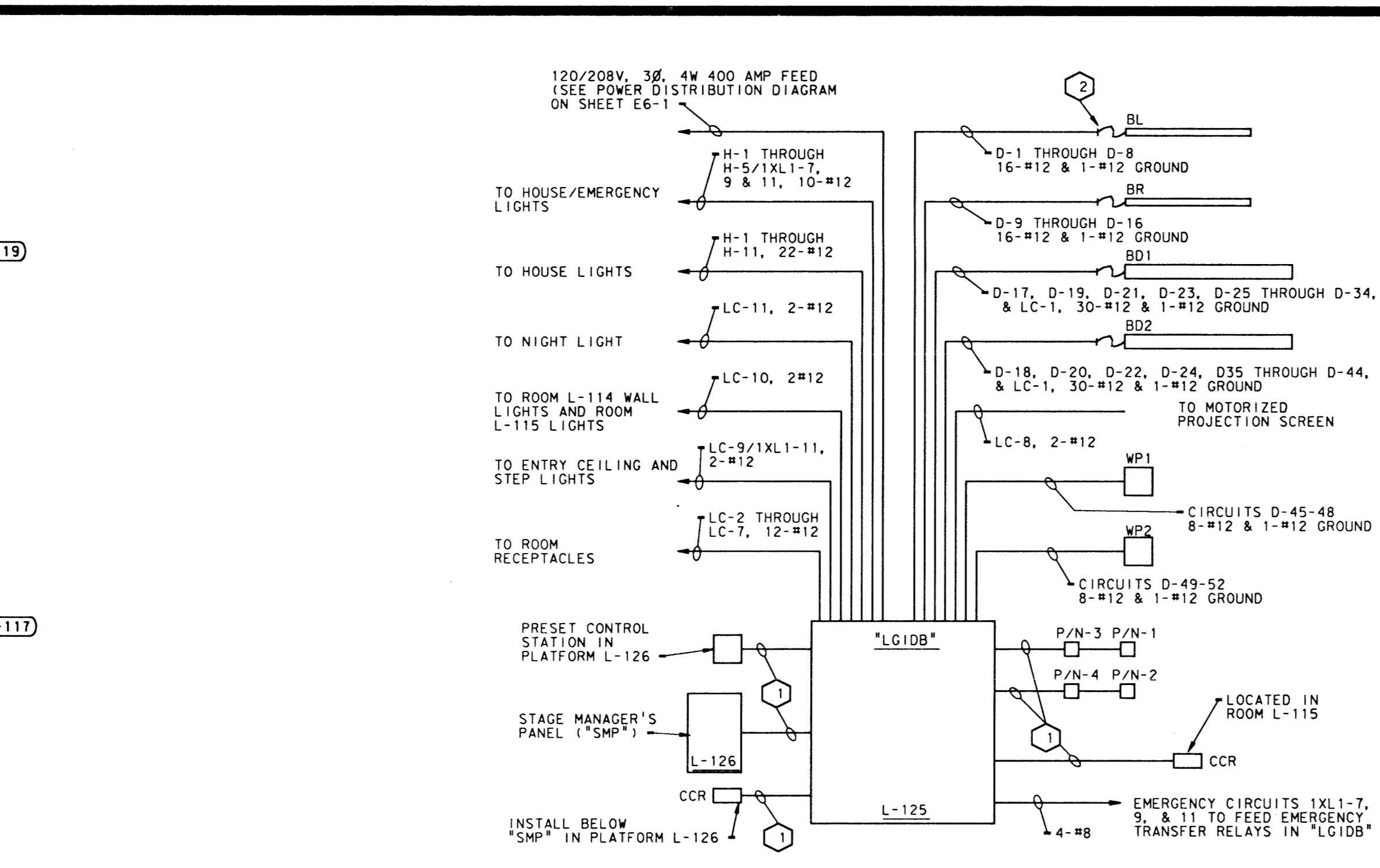
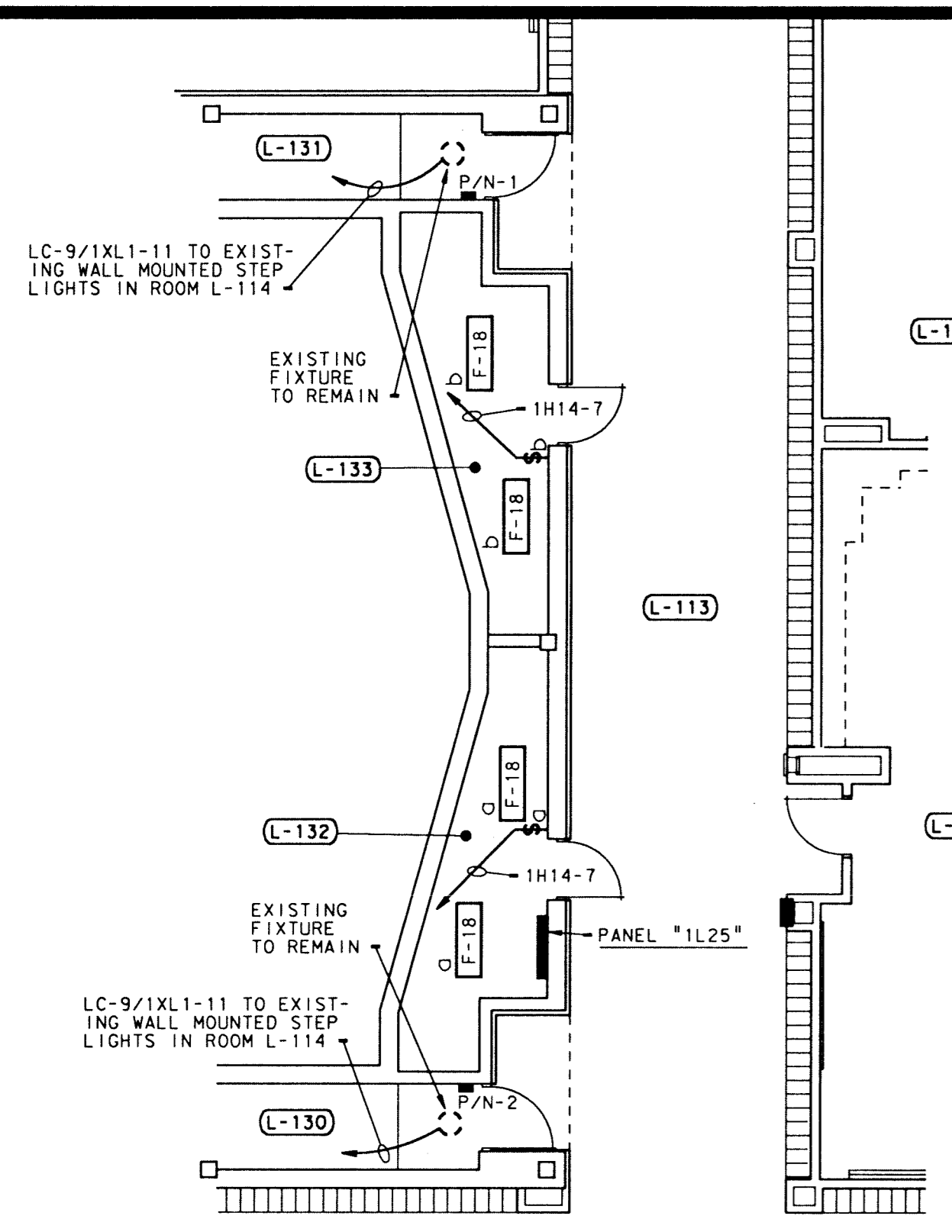


ADDITION TO AND RENOVATION OF  
**LAWRENCE CENTRAL HIGH SCHOOL**  
 for the METROPOLITAN SCHOOL DISTRICT OF LAWRENCE TOWNSHIP  
 MARION COUNTY, INDIANA

**EVERETT I. BROWN**  
 Company  
**Architects & Engineers**  
 950 NORTH MERIDIAN STREET  
 INDIANAPOLIS, INDIANA 46204  
 (317) 231-1000



PROJECT:  
 871-110  
 DATE:  
 DEC. 18, 1989  
 REVISED  
 NOVEMBER 21, 1991  
 FOR INFORMATION  
 ONLY. PREVIOUSLY  
 BID IN ORIGINAL  
 CONTRACT DOCU-  
 MENTS ISSUED  
 DECEMBER 18, 1989



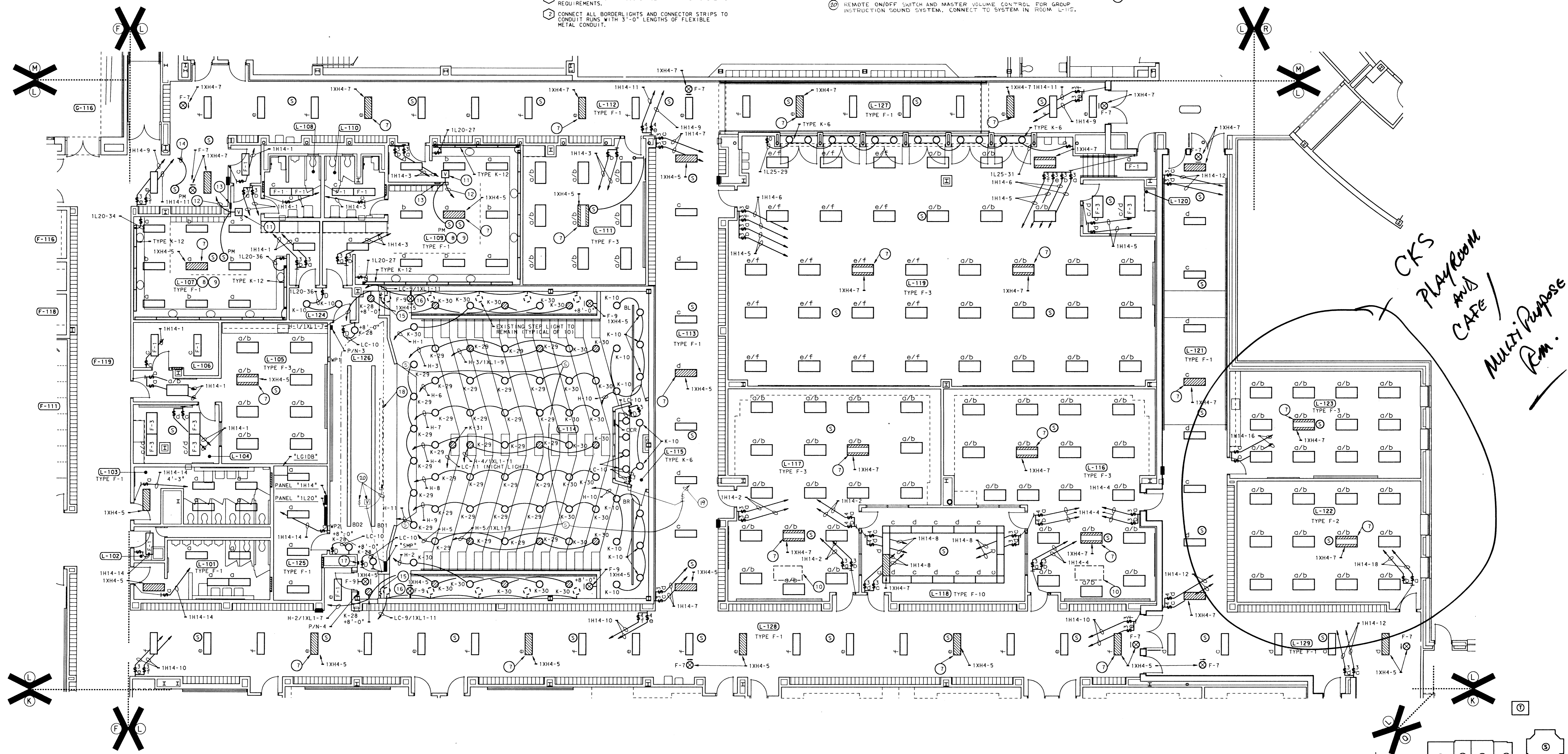
- PLAN NOTES:**  
(THESE NOTES APPLY TO THIS SHEET ONLY)
- SEE SHEETS E0-1 AND E0-2 FOR ELECTRICAL SYMBOLS, SCHEDULES, DETAILS AND NOTES.
  - SEE SHEET E2-1 AND E2-2 FOR ELECTRICAL SITE PLAN.
  - SEE SHEET E8-1 THRU E8-6 FOR COMMUNICATION COMPOSITE PLANS, DISTRIBUTION DIAGRAMS AND DETAILS.
  - SEE SHEET E6-1 AND E6-2 FOR POWER DISTRIBUTION DIAGRAM.
  - MULTI-SWITCHED LIGHT FIXTURES SHALL HAVE THE MIDDLE LAMP(S) CONTROLLED BY THE SWITCHES CLOSEST TO THE DOOR OPENING AND THE OUTSIDE LAMP(S) CONTROLLED BY THE OTHER SWITCHES.
  - NOT USED.
  - PROVIDE WITH EMERGENCY LIGHTING TRANSFER RELAY. SEE WIRING DIAGRAM SHEET E-01.
  - ALL TYPE F-3 LIGHT FIXTURES IN THIS ROOM SHALL BE PROVIDED WITH WARM WHITE DELUXE 3000K IN LIEU OF COOL WHITE LAMPS.
  - ALL TYPE K-12 LIGHT FIXTURES SHALL BE MOUNTED ABOVE MIRRORS.
  - OUTLINE OF OVERHEAD DEMONSTRATION MIRROR.
  - VOLUME CONTROL IN SINGLE GANG OUTLET BOX WITH ADJACENT SELECTOR SWITCH IN SINGLE GANG OUTLET BOX.
  - TWO SEPARATE WIRING RUNS FROM THE VOLUME CONTROL SELECTOR SWITCH: ONE TO THE AUDITORIUM PROGRAM MONITOR SOUND SYSTEM AND ONE TO THE GROUP INSTRUCTION ROOM PROGRAM MONITOR SOUND SYSTEM.
  - TWO SEPARATE CUE-INTERCOM SYSTEM WALL STATIONS. CONNECT ONE TO THE AUDITORIUM CUE-INTERCOM SYSTEM AND ONE TO THE GROUP INSTRUCTION ROOM CUE-INTERCOM SYSTEM.
  - CONNECT TO AUDITORIUM PROGRAM MONITOR SOUND SYSTEM.
  - DISCONNECT AND REMOVE EXISTING ELECTRICAL DEVICE AND PROVIDE BLANK COVERPLATE.
  - REPLACE EXISTING EXIT SIGN WITH NEW EXIT SIGN IN EXISTING LOCATION.
  - PRESET CONTROL STATION.
  - OUTLINE OF PROJECTION SCREEN.

**GROUP INSTRUCTION ROOM L-114 DIMMER SYSTEM DISTRIBUTION DIAGRAM**  
NOT TO SCALE  
NOTE: VERIFY WIRING IN CONDUIT REQUIRED WITH EQUIPMENT MANUFACTURER PRIOR TO INSTALLATION OF CONDUIT.

- CONTROL WIRING IN ACCORDANCE WITH MANUFACTURER'S REQUIREMENTS.
- CONNECT ALL BORDER LIGHTS AND CONNECTOR STRIPS TO CONDUIT RUNS WITH 3'-0" LENGTHS OF FLEXIBLE METAL CONDUIT.
- CONNECT TO THE ALL-CALL PAGING SOUND SYSTEM.
- REMOTE ON/OFF SWITCH AND MASTER VOLUME CONTROL FOR GROUP INSTRUCTION ROOM SOUND SYSTEM. CONNECT TO SYSTEM IN ROOM L-112.

**L-114 LOWER LEVEL LIGHTING PLAN**  
SCALE: 1/8" = 1'-0"

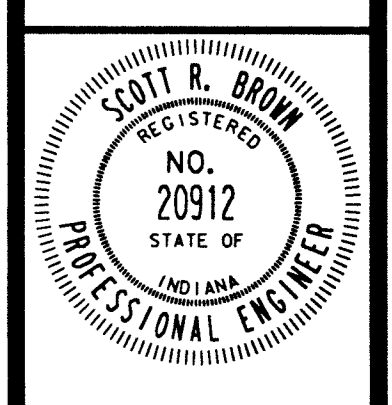
**UNIT "L" LIGHTING PLAN**  
SCALE: 1/8" = 1'-0"



*CKS  
PlayRoom  
and  
CAFE /  
Multi Purpose  
Rm.*

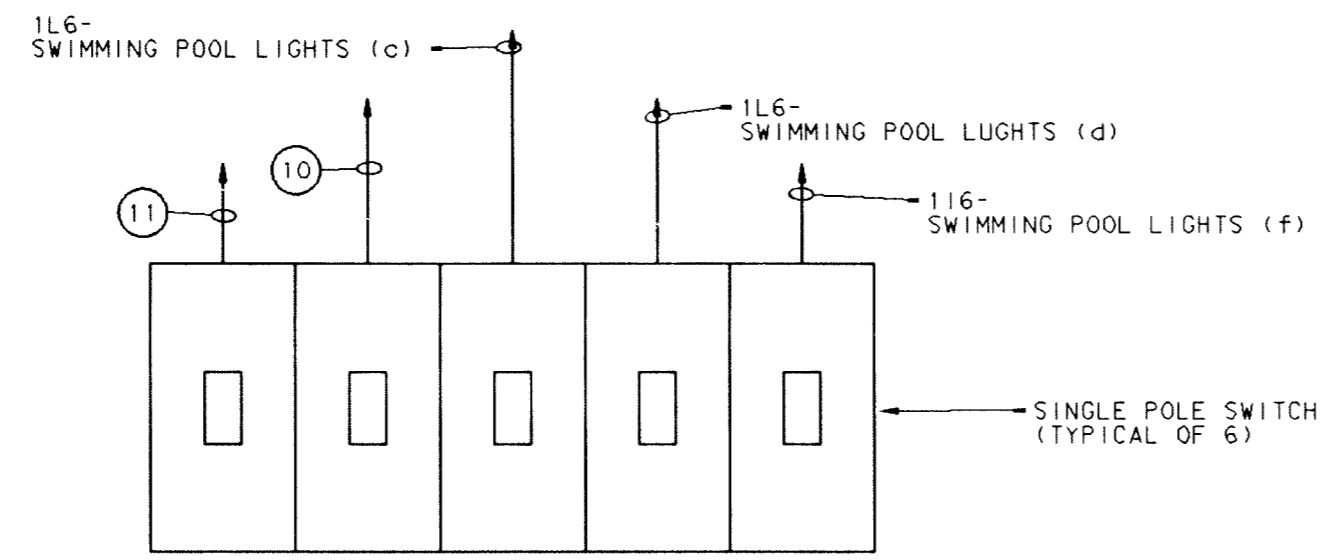
CONTINUING ADDITION TO and RENOVATION OF  
**LAWRENCE CENTRAL HIGH SCHOOL**  
 for the METROPOLITAN SCHOOL DISTRICT of LAWRENCE TOWNSHIP  
 MARION COUNTY, INDIANA

**EVERETT L. BROWN Company**  
**EBROWN**  
 Architects & Engineers  
 950 NORTH MERIDIAN STREET  
 INDIANAPOLIS, INDIANA 46204  
 (317) 231-1000



PROJECT 871-110  
 DATE DEC. 18, 1989  
 REVISED

MAR. 21, 1991  
 NOVEMBER 21, 1991  
 FOR INFORMATION ONLY. PREVIOUSLY  
 BID IN ORIGINAL CONTRACT DOCUMENTS ISSUED  
 DECEMBER 18, 1989



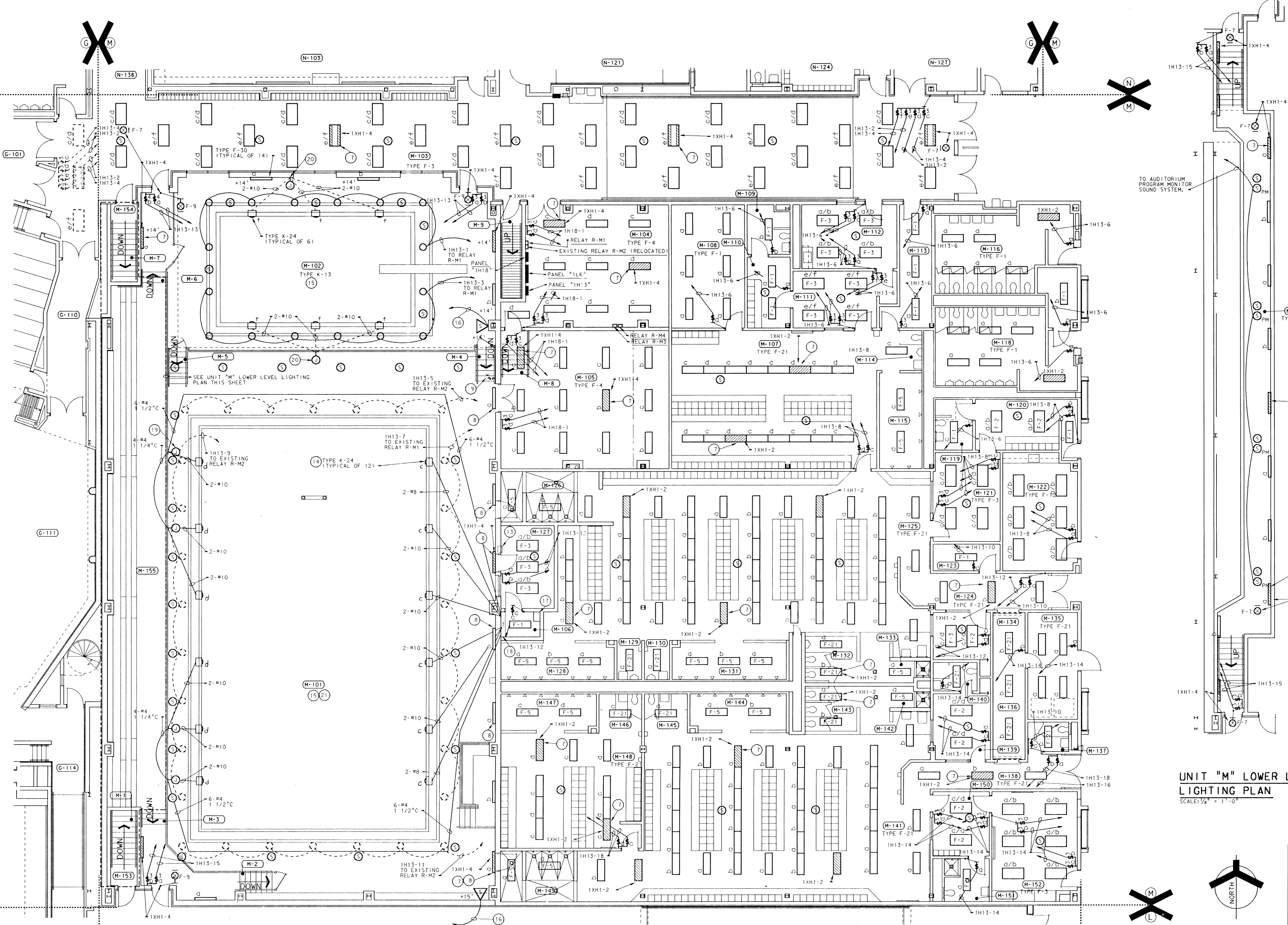
**LIGHTING CONTROL STATION "A"**  
NOT TO SCALE

- (12) ALL TYPE F-30 LIGHT FIXTURES SHALL BE MOUNTED AT 7' A.F.F. ALL SPEAKERS IN THIS ROOM ARE TO BE SURFACE MOUNTED.
- (13) LIGHTING CONTROL STATION "A". SEE DETAIL THIS SHEET.
- (14) FOR EXACT LOCATION OF FIXTURE TYPE K-24 SEE SHEET AB-6.
- (15) CONNECT ALL SPEAKERS IN THIS ROOM TO THE SWIMMING POOL SOUND SYSTEM UNLESS OTHERWISE NOTED.
- (16) TO ALL CALL PAGING SOUND SYSTEM.
- (17) SWIMMING POOL SOUND SYSTEM EQUIPMENT CABINET.
- (18) 12 300 WATT 120/12-13-14 VOLT TRANSFORMER TAPPED AT 14 VOLTS. ALL TRANSFORMER SHALL BE IN AN ENCLOSURE AND WALL MOUNTED.
- (19) DECK BOXES (HYDEAL MODEL #1717) MOUNTED A +30" A.F.F. TYPICAL OF 6.
- (20) BALLAST-TRANSFORMER BOX (HYDEAL MODEL #1726.B) MOUNTED AT +30" A.F.F.
- (21) REMOVE ALL EXISTING LIGHT FIXTURES LOCATED ON THE WEST WALL AND PROVIDE BLANK COVER PLATES.

- PLAN NOTES:**  
(THESE NOTES APPLY TO THIS SHEET ONLY)
- (1) SEE SHEETS E0-1 AND E0-2 FOR ELECTRICAL SYMBOLS, SCHEDULES, DETAILS AND NOTES.
  - (2) SEE SHEET E2-1 AND E2-2 FOR ELECTRICAL SITE PLAN.
  - (3) SEE SHEET E8-1 THRU E8-6 FOR COMMUNICATIONS COMPOSITE PLANS, DISTRIBUTION DIAGRAMS AND DETAILS.
  - (4) SEE SHEET E6-1 AND E6-2 FOR POWER DISTRIBUTION DIAGRAM.
  - (5) MULTI-SWITCHED LIGHT FIXTURES SHALL HAVE THE MIDDLE LAMP(S) CONTROLLED BY THE SWITCHES CLOSEST TO THE DOOR OPENING AND THE OUTSIDE LAMP(S) CONTROLLED BY THE OTHER SWITCHES.
  - (6) NOT USED
  - (7) PROVIDE WITH EMERGENCY LIGHTING TRANSFER RELAY. SEE WIRING DIAGRAM SHEET E0-1.
  - (8) REPLACE EXISTING LIGHT FIXTURE IN EXISTING LOCATION.
  - (9) REMOVE EXISTING KEY SWITCH AND PROVIDE A BLANK COVER PLATE.
  - (10) SWITCH TO COIL OF RELAY R-M1 TO CONTROL CIRCUITS IH13-1 AND 3.
  - (11) SWITCH TO COIL OF EXISTING RELAY R-M2 TO CONTROL CIRCUITS IH13-5, 7, 9 AND 11.

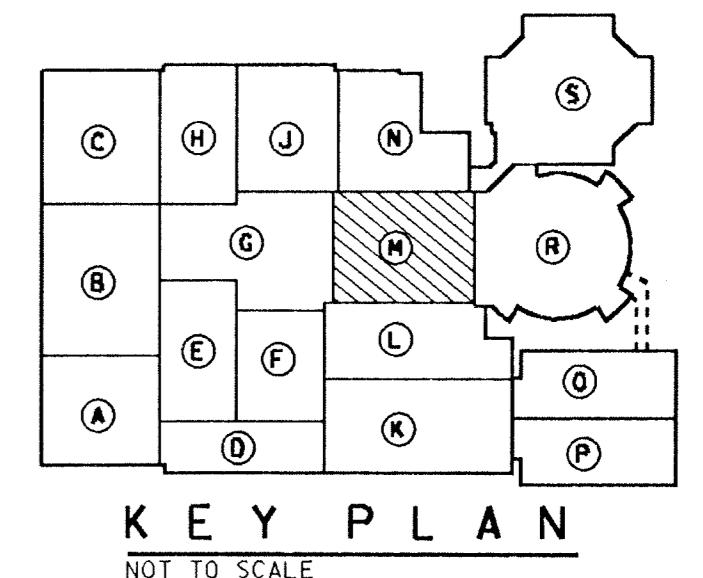
**ROOM NAME SCHEDULE**

NO	NAME
M-101	SWIMMING POOL
M-102	DIVING POOL
M-103	CORRIDOR
M-104	MECHANICAL EQUIPMENT
M-105	MECHANICAL EQUIPMENT
M-106	STORAGE
M-107	LOCKER ROOM
M-108	STORAGE
M-109	TOILET
M-110	COACHES LOCKER ROOM
M-111	COACHES
M-112	COACHES LOUNGE
M-113	PASSAGE
M-114	TOILET
M-115	SHOWER
M-116	GIRLS
M-117	CUSTODIAN
M-118	BOYS
M-119	TOILET
M-120	OFFICIALS
M-121	OFFICE
M-122	CONFERENCE
M-123	STORAGE
M-124	PASSAGE
M-125	BOYS LOCKER ROOM
M-126	SHOWER
M-127	OFFICE
M-128	SHOWER
M-129	TOILET
M-130	TOILET
M-131	SHOWER
M-132	TOILET
M-133	SHOWER
M-134	OFFICE
M-135	LAUNDRY
M-136	TOWELS
M-137	TOILET
M-138	PASSAGE
M-139	GIRLS COACHES OFFICE
M-140	TOILET
M-141	GIRLS LOCKER ROOM
M-142	SHOWER
M-143	TOILET
M-144	SHOWER
M-145	TOILET
M-146	TOILET
M-147	SHOWER
M-148	VARSITY LOCKERS
M-149	SHOWER
M-150	GIRLS P.E. OFFICE
M-151	TOILET
M-152	P.E. OFFICE
M-153	PASSAGE
M-154	PASSAGE
M-155	SPECTATOR
M-156	NOT USED
M-1	STAIR
M-2	STAIR
M-3	STAIR
M-4	STAIR
M-5	STAIR
M-6	STAIR
M-7	STAIR
M-8	STAIR
M-9	STAIR



**UNIT "M" LIGHTING PLAN**  
SCALE: 1/8" = 1'-0"

**UNIT "M" LOWER LEVEL LIGHTING PLAN**  
SCALE: 1/8" = 1'-0"

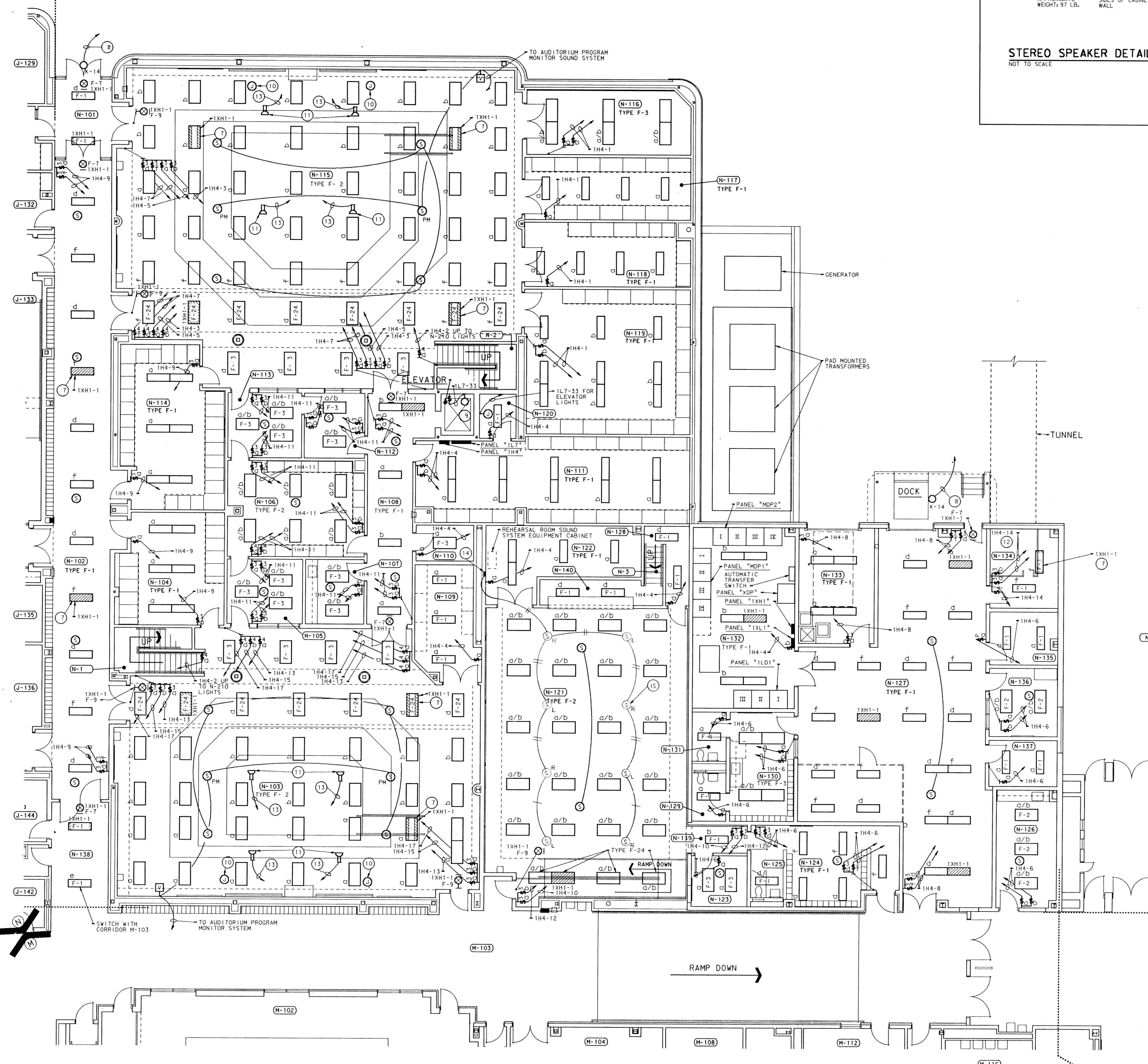
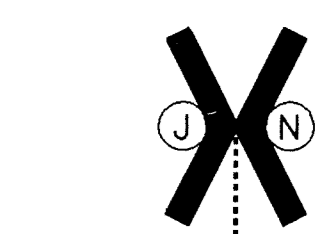


**ADDITION TO AND RENOVATION OF LAWRENCE CENTRAL HIGH SCHOOL**  
 for the METROPOLITAN SCHOOL DISTRICT of LAWRENCE TOWNSHIP  
 MARION COUNTY, INDIANA

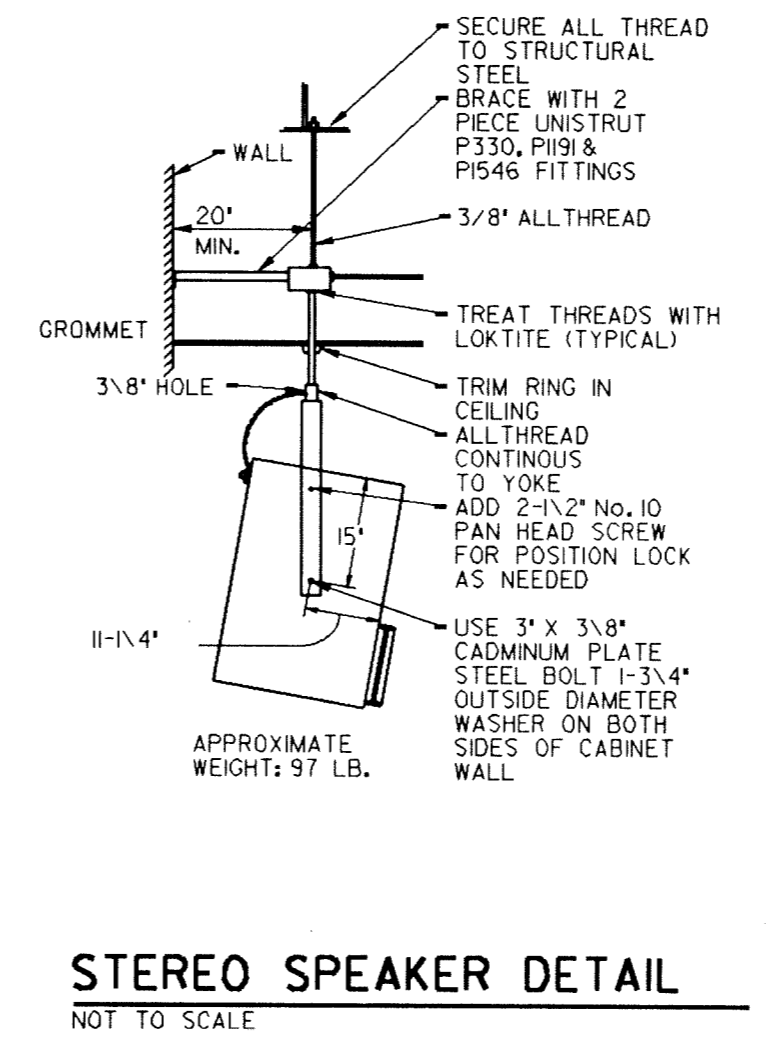
**EVERETT L. BROWN Company**  
**EDDOWNS & Engineers**  
 Architects & Engineers  
 950 NORTH WERDIAN STREET  
 INDIANAPOLIS, INDIANA 46204  
 (317) 237-7000

PROJECT  
 871-110  
 DATE  
 DEC. 18, 1989  
 REVISED

NOVEMBER 21, 1991  
 FOR INFORMATION ONLY. PREVIOUSLY  
 BID IN ORIGINAL CONTRACT DOCUMENTS ISSUED  
 DECEMBER 18, 1989



UNIT "N" FIRST FLOOR LIGHTING PLAN  
SCALE: 1/8" = 1'-0"

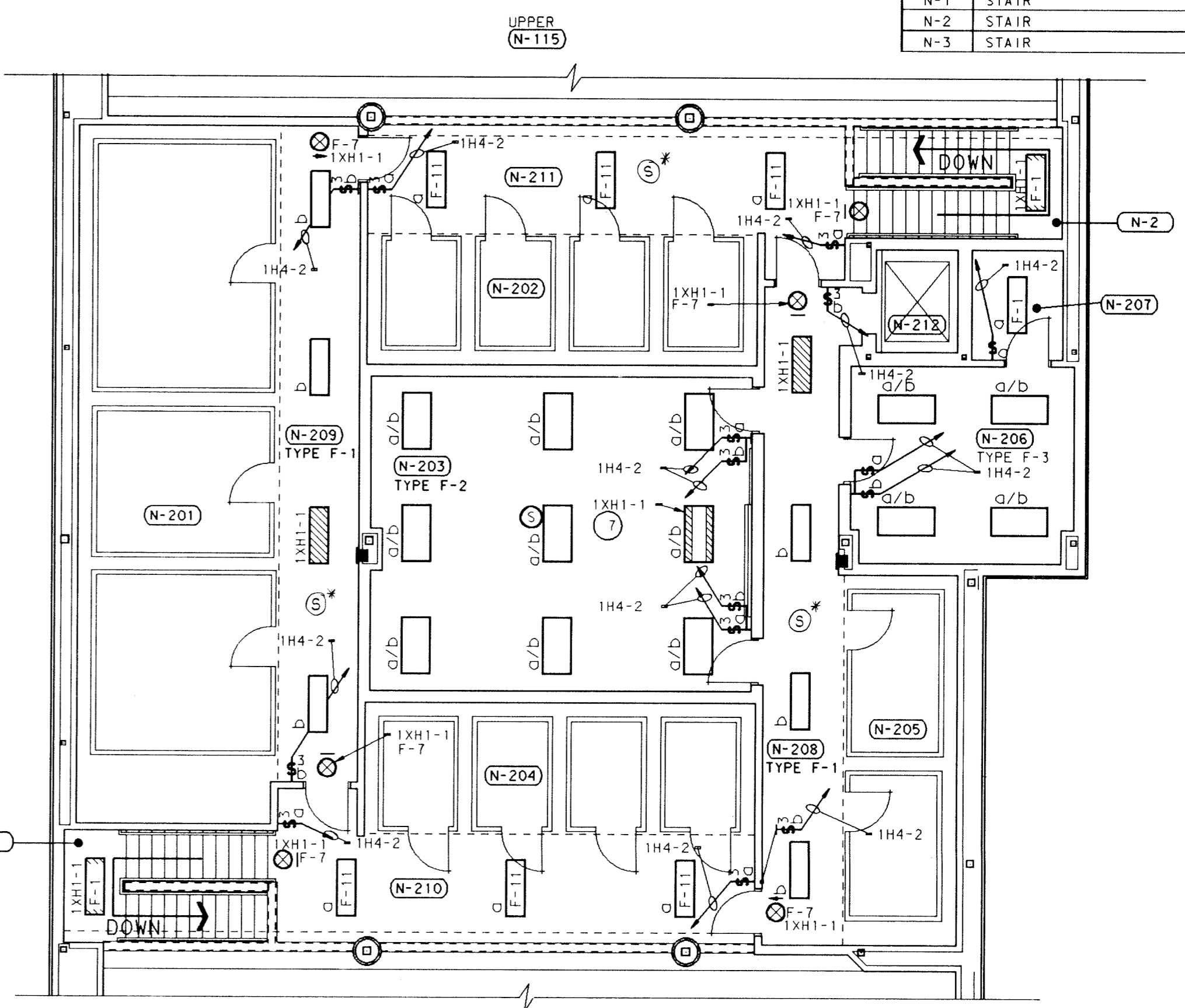


STEREO SPEAKER DETAIL  
NOT TO SCALE

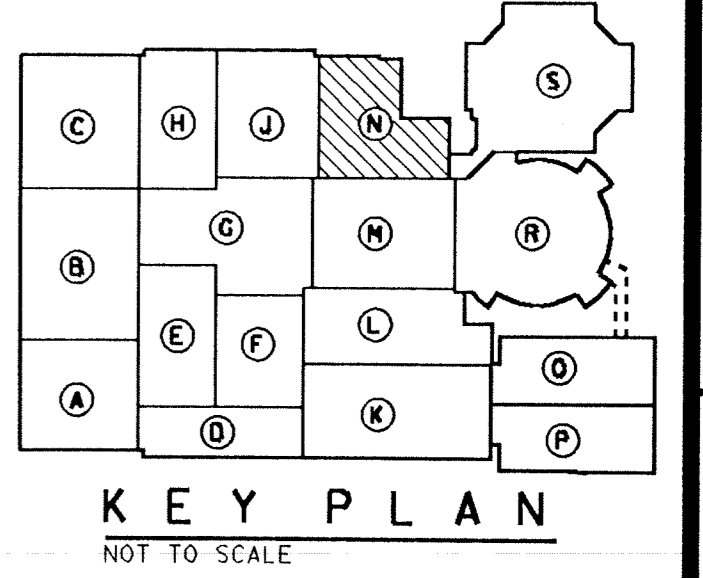
PLAN NOTES

- (THESE NOTES APPLY TO THIS SHEET ONLY)
- SEE SHEETS E0-1 AND E0-2 FOR ELECTRICAL SYMBOLS, SCHEDULES, DETAILS AND NOTES.
  - SEE SHEET E2-1 AND E2-2 FOR ELECTRICAL SITE PLAN.
  - SEE SHEETS E0-1 THRU E0-8 FOR COMMUNICATION COMPOSITE PLANS, DISTRIBUTION DIAGRAMS AND DETAILS.
  - SEE SHEET E6-1 AND E6-2 FOR POWER DISTRIBUTION DIAGRAM.
  - MULTI-SWITCHED LIGHT FIXTURES SHALL HAVE THE MIDDLE LAMP(S) CONTROLLED BY THE SWITCHES CLOSEST TO THE DOOR OPENING AND THE OUTSIDE LAMP(S) CONTROLLED BY THE OTHER SWITCHES.
  - NOT USED
  - PROVIDE WITH EMERGENCY LIGHTING TRANSFER RELAY. SEE WIRING DIAGRAM SHEET E0-1.
  - IHS-15 TO PHOTOCELL/TIMELOCK CONTROLLED RELAY R-J2.
  - INSTALL TYPE K-1 LIGHT FIXTURE AND SWITCH IN ELEVATOR PIT.
  - STEREO SPEAKER. SEE DETAIL THIS SHEET.
  - CEILING MOUNTED MICROPHONE FOR ROOM SOUND SYSTEM.
  - TO TUNNEL LIGHTS. SEE SHEET E2-2 FOR TUNNEL ELECTRICAL PLAN. SEE SHEET E3-20 FOR OTHER SET OF SWITCHES.
  - TO ROOM SOUND SYSTEM EQUIPMENT CABINET.
  - REHEARSAL ROOM SOUND SYSTEM SPEAKER CONNECTOR JACKS IN SINGLE GANG BOX. INSTALL AT +20'.
  - REHEARSAL ROOM SOUND SYSTEM SPEAKER. (TYPICAL OF SPEAKERS DESIGNATED WITH L AND R IN THIS ROOM.)

ROOM NAME SCHEDULE	
NO	NAME
N-101	VESTIBULE
N-102	CORRIDOR
N-103	ORCHESTRA
N-104	INSTRUMENTS STORAGE
N-105	OFFICE
N-106	MUSIC LIBRARY
N-107	INSTRUMENT REPAIR
N-108	CORRIDOR
N-109	CELLO
N-110	PRACTICE
N-111	UNIFORMS
N-112	OFFICE
N-113	OFFICE
N-114	INSTRUMENTS STORAGE
N-115	BAND
N-116	ENSEMBLE
N-117	LARGE INSTRUMENTS
N-118	PERCUSSION
N-119	UNIFORMS
N-120	ELEVATOR EQUIPMENT
N-121	REHEARSAL
N-122	STORAGE
N-123	OFFICE
N-124	DRESSING
N-125	TOILET
N-126	LOUNGE
N-127	RECEIVING
N-128	PASSAGE
N-129	TOILET
N-130	LOUNGE
N-131	TOILET
N-132	ELECTRICAL
N-133	COMPACTOR
N-134	SPRINKLER ROOM
N-135	TOXIC
N-136	OFFICE
N-137	TELECOMMUNICATIONS
N-138	CORRIDOR
N-139	PASSAGE
N-140	PLATFORM
N-201	ENSEMBLE
N-202	PRACTICE
N-203	KEYBOARD
N-204	PRACTICE
N-205	ENSEMBLE
N-206	ENSEMBLE
N-207	STORAGE
N-208	PASSAGE
N-209	PASSAGE
N-210	PASSAGE
N-211	PASSAGE
N-212	ELEVATOR
N-1	STAIR
N-2	STAIR
N-3	STAIR



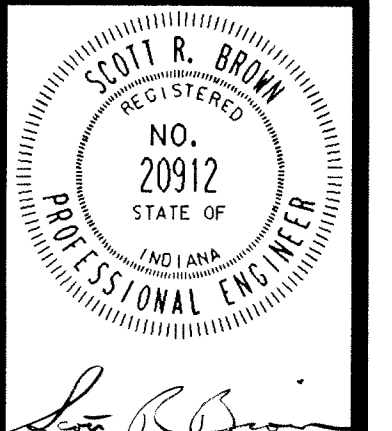
UNIT "N" SECOND FLOOR LIGHTING PLAN  
SCALE: 1/8" = 1'-0"



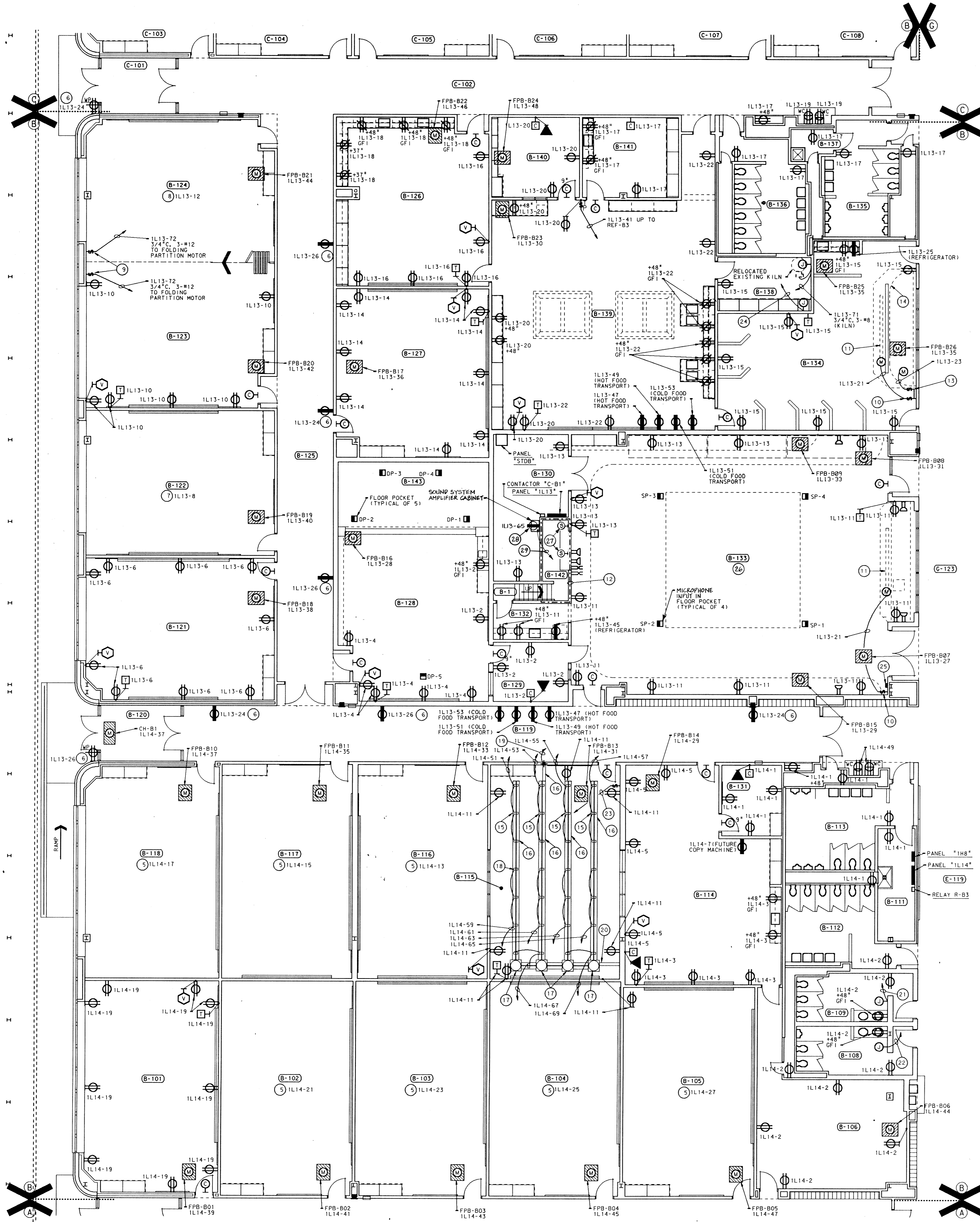
KEY PLAN  
NOT TO SCALE

ADDITION TO and RENOVATION OF  
**LAWRENCE CENTRAL HIGH SCHOOL**  
 for the METROPOLITAN SCHOOL DISTRICT of LAWRENCE TOWNSHIP  
 MARION COUNTY, INDIANA

**EVERETT I. BROWN Company**  
 Architects & Engineers  
 950 NORTH WHELAN STREET  
 INDIANA 46204  
 (317) 237-7000

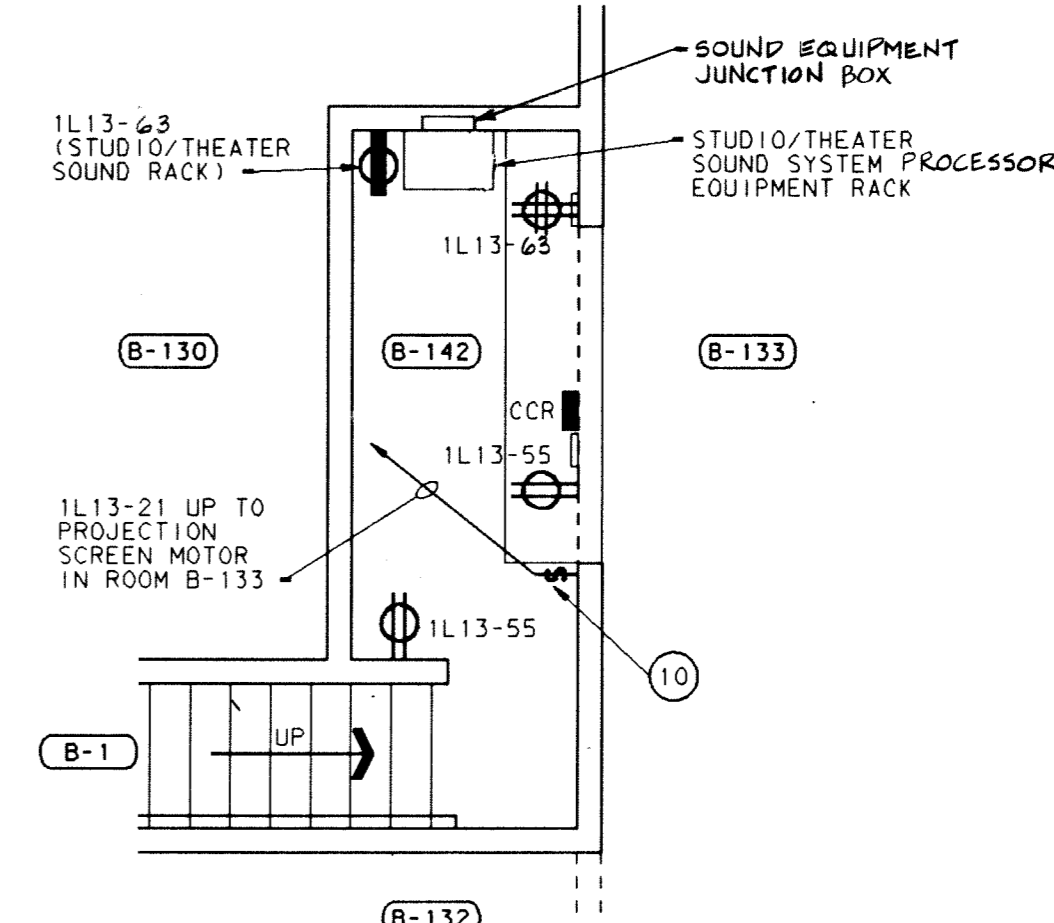


PROJECT  
 871-110  
 DATE  
 DEC. 18, 1989  
 REVISED  
 NOVEMBER 21, 1991  
 FOR INFORMATION ONLY. PREVIOUSLY  
 BID IN ORIGINAL CONTRACT DOCUMENTS ISSUED  
 DECEMBER 18, 1989



**PLAN NOTES:**

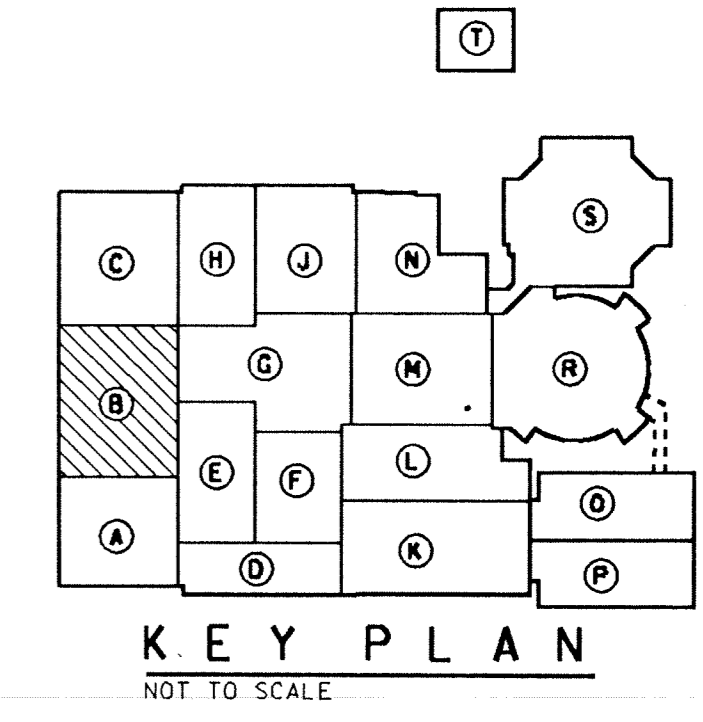
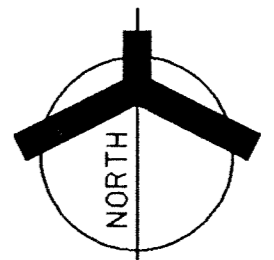
- (1) SEE SHEETS E0-1 AND E0-2 FOR ELECTRICAL SYMBOLS, SCHEDULES, DETAILS AND NOTES.
- (2) SEE SHEET E2-1 AND E2-2 FOR ELECTRICAL SITE PLAN.
- (3) SEE SHEET E8-1 THRU E8-6 FOR COMMUNICATIONS COMPOSITE PLANS, DISTRIBUTION DIAGRAMS AND DETAILS.
- (4) SEE SHEET E6-1 AND E6-2 FOR POWER DISTRIBUTION DIAGRAMS.
- (5) CIRCUIT INDICATES GENERAL RECEPTACLE CIRCUIT - SEE CLASSROOM B-101 FOR TYPICAL CLASSROOM LAYOUT SHOWING LOCATION OF RECEPTABLES, TELEVISION TAP-OFF, VIS BOX AND CLOCK.
- (6) 3/4" C, 2-WIRE
- (7) CIRCUIT INDICATES GENERAL RECEPTACLE CIRCUIT - SEE CLASSROOM B-121 FOR TYPICAL CLASSROOM LAYOUT SHOWING LOCATION OF RECEPTABLES, TELEVISION TAP-OFF, VIS BOX AND CLOCK.
- (8) CIRCUIT INDICATES GENERAL RECEPTACLE CIRCUIT - SEE CLASSROOM B-123 FOR TYPICAL CLASSROOM LAYOUT SHOWING LOCATION OF RECEPTABLES, TELEVISION TAP-OFF, VIS BOX AND CLOCK.
- (9) FOLDING PANEL PARTITION CONTROLLER FURNISHED BY FOLDING DOORS AND PARTITIONS CONTRACTOR INSTALLED BY ELECTRICAL CONTRACTOR.
- (10) PROJECTION SCREEN CONTROLLER BY GENERAL CONTRACTOR, INSTALLED BY ELECTRICAL CONTRACTOR.
- (11) MOTORIZED PROJECTION SCREEN BY GENERAL CONTRACTOR.
- (12) SEE AUXILIARY PLAN OF CONTROL BOOTH B-142 FOR ADDITIONAL WORK IN THIS ROOM.
- (13) MOTORIZED CURTAIN CONTROLLER BY STAGE RIGGING CONTRACTOR, INSTALLED BY ELECTRICAL CONTRACTOR.
- (14) MOTORIZED CURTAIN BY STAGE RIGGING CONTRACTOR.
- (15) UNDERFLOOR DUCT NO. 4 (UTILIZE FOR ROUTING OF ELECTRICAL CONDUCTORS).
- (16) UNDERFLOOR DUCT NO. 4 (UTILIZE FOR ROUTING OF TELE/DATA LINES).
- (17) UNDERFLOOR JUNCTION BOX (TYPICAL).
- (18) RECEPTACLE SHALL BE ISOLATED GROUND TYPE (PASS & SEYMOUR 106200 TYPICAL).
- (19) 1/4" C TO CORRIDOR CABLE TRAY. TERMINATE AT CABLE TRAY WITH BUSHING.
- (20) 2" C (UTILIZE FOR ROUTING OF ELECTRICAL CONDUCTORS).
- (21) 1/4" C, 3/4" C, 2-WIRE (HAND DRYER).
- (22) 1/4" C, 3/4" C, 2-WIRE (HAND DRYER).
- (23) KEYED MOMENTARY SWITCH WITH PILOT TO CONTROL CIRCUITS 1/4-51, 53, 55, 57, 59, 61, 63, 65, 67 AND 69.
- (24) 1/3-59 (SPRAY PAINT BOOTH). VERIFY EXACT LOCATION WITH OWNER/ARCHITECT.
- (25) STUDIO THEATER SOUND SYSTEM REMOTE ON/OFF AND MASTER VOLUME CONTROL STATION.
- (26) CONNECT THE MICROPHONE AND AUXILIARY JACKS IN THE ROOM TO STUDIO THEATER SOUND SYSTEM CONTROL EQUIPMENT IN CONTROL BOOTH B-142.
- (27) WALL MOUNT CONTROL CONSOLE MONITOR SPEAKERS AT +7'-0".
- (28) INSTALL RECEPTACLE INSIDE SOUND EQUIPMENT CABINET.
- (29) TO SOUND EQUIPMENT RACK IN CONTROL BOOTH B-142.



**AUXILIARY PLAN OF CONTROL BOOTH B-142**  
SCALE: 1/4" = 1'-0"

**ROOM NAME SCHEDULE**

NO	NAME
B-101	CLASSROOM
B-102	CLASSROOM
B-103	CLASSROOM
B-104	CLASSROOM
B-105	CLASSROOM
B-106	STORAGE
B-107	NOT USED
B-108	MEN
B-109	WOMEN
B-110	NOT USED
B-111	CUSTODIAN
B-112	GIRLS
B-113	BOYS
B-114	OFFICE
B-115	CLASSROOM
B-116	CLASSROOM
B-117	CLASSROOM
B-118	CLASSROOM
B-119	CORRIDOR
B-120	VESTIBULE
B-121	CLASSROOM
B-122	CLASSROOM
B-123	CLASSROOM
B-124	CLASSROOM
B-125	CORRIDOR
B-126	CLASSROOM
B-127	CLASSROOM
B-128	CLASSROOM
B-129	OFFICE
B-130	STORAGE
B-131	OFFICE
B-132	ALCOVE
B-133	STUDIO THEATER
B-134	ART GALLERY
B-135	BOYS
B-136	GIRLS
B-137	CUSTODIAN
B-138	STORAGE/KILN
B-139	ART PAINTING AND SCULPTURING
B-140	OFFICE
B-141	WORK ROOM
B-142	CONTROL BOOTH
B-143	STAGE
B-1	STAIR

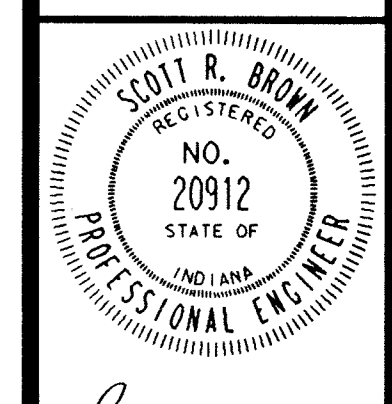


**KEY PLAN**  
NOT TO SCALE

**UNIT "B" POWER PLAN**  
SCALE: 1/8" = 1'-0"

**ADDITION TO AND RENOVATION OF LAWRENCE CENTRAL HIGH SCHOOL**  
 for the METROPOLITAN SCHOOL DISTRICT of LAWRENCE TOWNSHIP  
 MARION COUNTY, INDIANA

**EVERETT L. BROWN Company**  
**Architects & Engineers**  
 950 NORTH MERIDIAN STREET  
 INDIANAPOLIS, INDIANA 46204  
 (317) 237-7000



PROJECT 871-110  
 DATE DEC. 18, 1989  
 REVISED NOVEMBER 21, 1991  
 FOR INFORMATION ONLY, PREVIOUSLY BID IN ORIGINAL CONTRACT DOCUMENTS ISSUED DECEMBER 18, 1989



ROOM NAME SCHEDULE

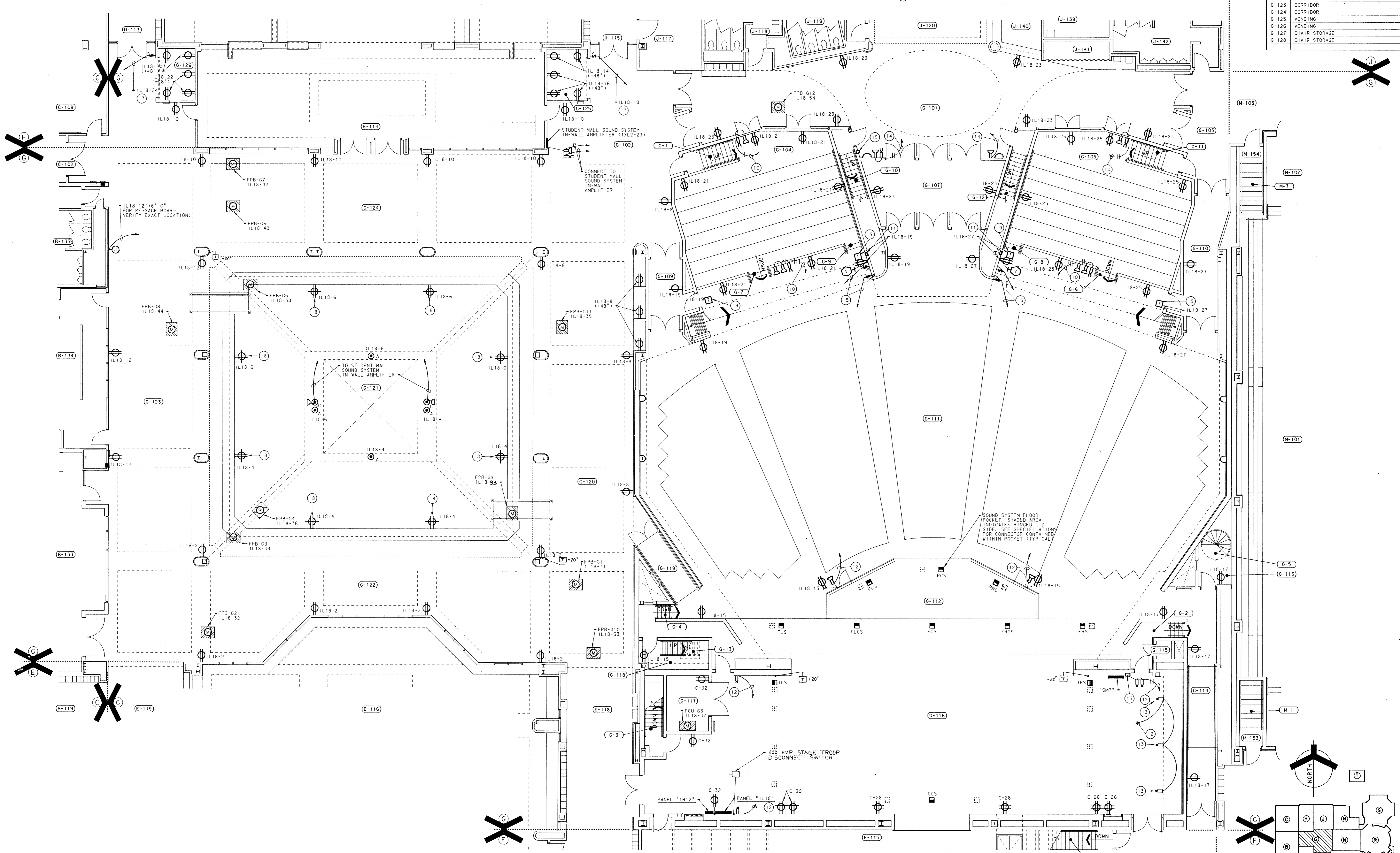
NO	NAME	NO	NAME
G-1	STAIR	G-101	LOBBY
G-2	STAIR	G-102	WEST LOBBY
G-3	STAIR	G-103	EAST LOBBY
G-4	STAIR	G-104	LECTURE
G-5	STAIR	G-105	LECTURE
G-6	STAIR	G-106	NOT USED
G-7	STAIR	G-107	VOMITORY
G-8	STAIR	G-108	NOT USED
G-9	STAIR	G-109	VOMITORY
G-10	STAIR	G-110	VOMITORY
G-11	STAIR	G-111	AUDITORIUM
G-12	STAIR	G-112	ORCHESTRA LIFT
G-13	STAIR	G-113	CATWALK ACCESS
		G-114	CORRIDOR
		G-115	STORAGE
		G-116	STAGE
		G-117	PIANO STORAGE
		G-118	STORAGE
		G-119	PASSAGE
		G-120	CORRIDOR
		G-121	STUDENT COMMONS
		G-122	CORRIDOR
		G-123	CORRIDOR
		G-124	CORRIDOR
		G-125	VENDING
		G-126	VENDING
		G-127	CHAIR STORAGE
		G-128	CHAIR STORAGE

PLAN NOTES

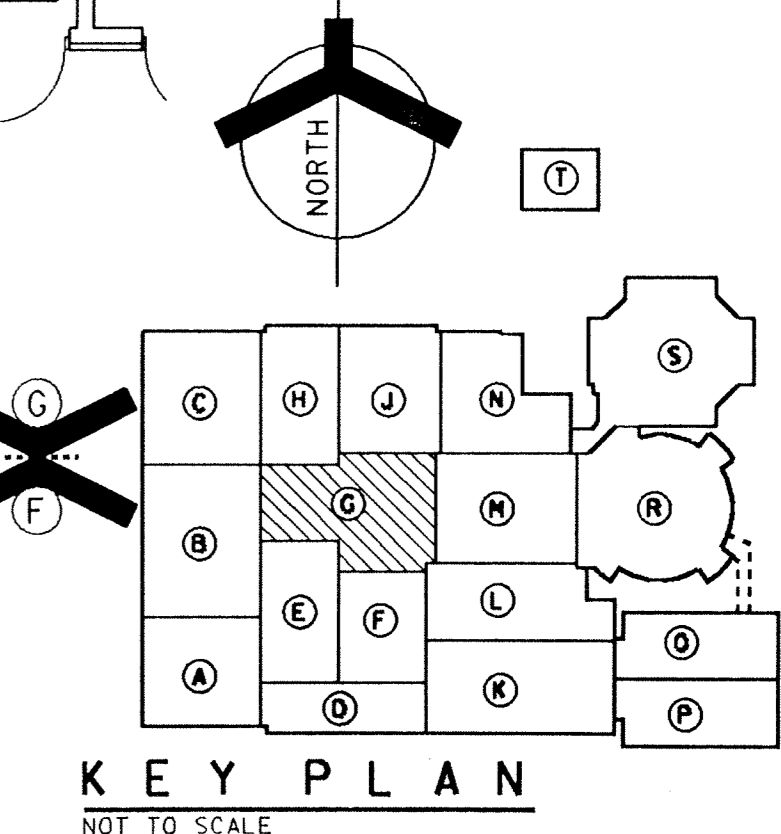
(THESE NOTES APPLY TO THIS SHEET ONLY)

- SEE SHEETS E0-1 AND E0-2 FOR ELECTRICAL SYMBOLS, SCHEDULES, DETAILS AND NOTES.
- SEE SHEET E2-1 AND E2-2 FOR ELECTRICAL SITE PLAN.
- SEE SHEET E8-1 THRU E8-2 FOR COMMUNICATIONS COMPOSITE PLANS, DISTRIBUTION DIAGRAMS AND DETAILS.
- SEE SHEET E6-1 AND E6-2 FOR POWER DISTRIBUTION DIAGRAM.
- UP TO FOLDING PARTITION MOTOR. MOTOR CONTROLLER BY GENERAL CONTRACTOR.
- 3/4" C, 2 #10
- UP TO MIDGET SLAT SHUTTER MOTOR. MOTOR CONTROLLER BY GENERAL CONTRACTOR.
- INSTALL RECEPTACLE HORIZONTALLY IN RISER.
- PROVIDE CEILING MOUNTED TELEVISION TAP-OFF.
- CONNECT TO IN-WALL AMPLIFIER IN THIS LECTURE ROOM.
- IN-WALL AMPLIFIER FOR LECTURE ROOM. CONNECT TO POWER CIRCUIT 1XL2-25.
- TO AUDITORIUM SOUND SYSTEM EQUIPMENT RACK #1.
- MOUNT AT FRONT OF LOCKING RAIL.

- TO HALL OF FAME J#20 SOUND SYSTEM.
- PROGRAM MONITOR PAGING MICROPHONE IN CABINET. CONNECT TO AUDITORIUM SOUND RACK #1.



UNIT "G" POWER PLAN  
SCALE: 1/8" = 1'-0"

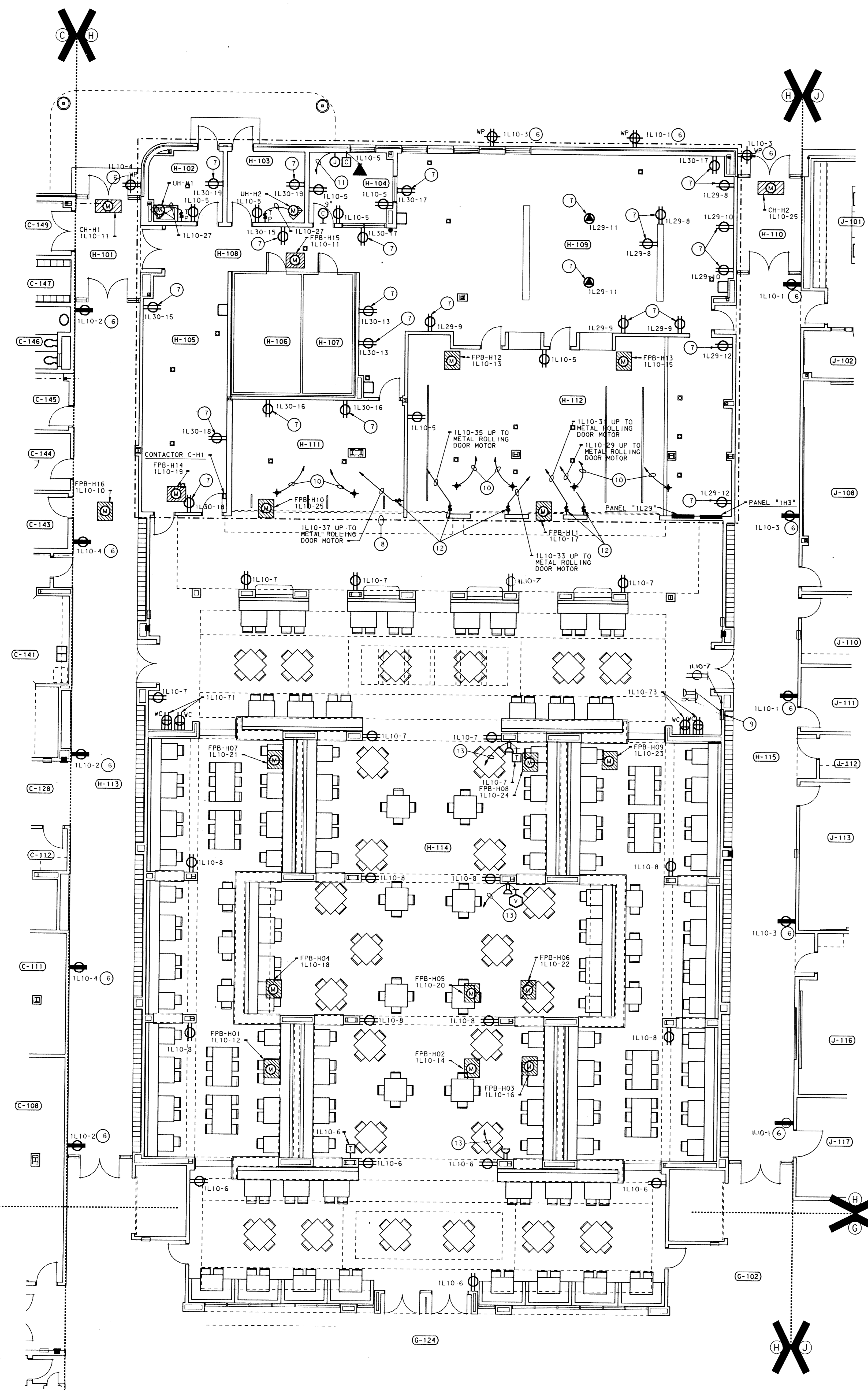


ADDITION TO and RENOVATION OF  
**LAWRENCE CENTRAL HIGH SCHOOL**  
 for the METROPOLITAN SCHOOL DISTRICT OF LAWRENCE TOWNSHIP  
 MARION COUNTY, INDIANA

**EVERETT I. BROWN Company**  
 Architects & Engineers  
 950 NORTH WELSHIAN STREET  
 INDIANA 46204  
 (317) 237-7000



PROJECT  
 871-110  
 DATE  
 DEC. 18, 1989  
 REVISED  
 ISSUED  
 MARCH 9, 1990  
 ADDENDUM #2  
 NOVEMBER 21, 1991  
 FOR INFORMATION  
 ONLY. PREVIOUSLY  
 BID IN ORIGINAL  
 CONTRACT DOCU-  
 MENTS ISSUED  
 DECEMBER 18, 1989



UNIT "H" POWER PLAN  
SCALE: 1/8" = 1'-0"

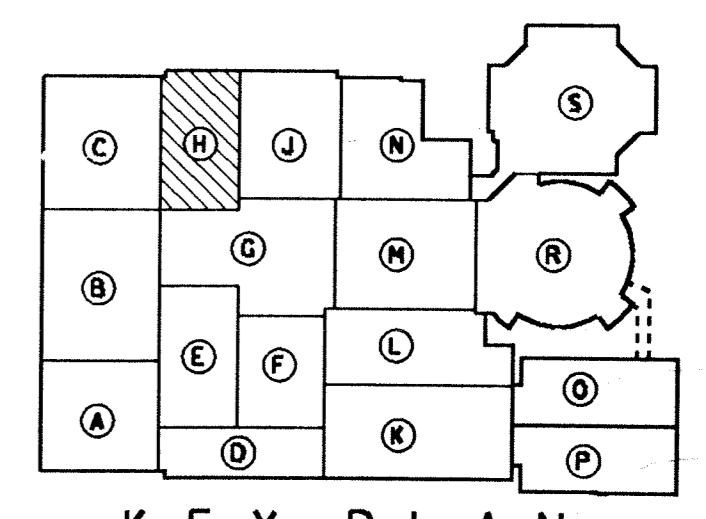
ELECTRICAL KITCHEN EQUIPMENT SCHEDULE

ITEM #	DESCRIPTION	#REQ	CIRCUIT	WIRE SIZE	GRND SIZE	CONDUIT SIZE	NOTES
4	CLOTHES WASHER	1	1L30-25	2-#12	1-#12	3/4"	
5	CLOTHES DRYER	1	1L30-41	3-#10	1-#10	3/4"	
10	AIR CURTAIN HEATED	2	1H17-9	4-#12	1-#12	3/4"	
11	CAN CRUSHER	1	1H17-7	4-#12	1-#12	3/4"	
21A	DISHWASHER	1	1H17-12	4-#12	1-#12	3/4"	
21B		1	1H17-16	4-#8	1-#10	1"	
21C		1	1H17-18	4-#8	1-#10	1"	
21D	BOOSTER HEATER	1	1H17-20	4-#3	1-#8	1 1/2"	
25	DISPOSER	1	1H17-10	4-#12	1-#12	3/4"	
27	SINK HEATER	2	1H17-14	4-#12	1-#12	3/4"	
29A	WALK IN COOLER/FREEZER COMBINATION UNIT	1	1H5-33	4-#12	1-#12	3/4"	
29B	WALK IN COOLER COIL	1	1L30-22	2-#12	1-#12	3/4"	
29C	WALK IN FREEZER COIL	1				REFER TO FREEZER COIL WIRING DIAGRAM SHEET A3-17	
29D	WALK IN COOLER COMPRESSOR	1	1L30-44	4-#12	1-#12	3/4"	
29E	WALK IN FREEZER COMPRESSOR	1	1L30-46	4-#12	1-#12	3/4"	
31	DISPOSER	1	1H17-5	4-#12	1-#12	3/4"	
33	FOOD PROCESSOR	1	1L30-45	3-#12	1-#12	3/4"	
35	REFRIGERATOR	2	1L30-33	2-#12	1-#12	3/4"	
36	FREEZER	1	1L30-35	2-#12	1-#12	3/4"	
37	MIXER	1	1H17-3	3-#12	1-#12	3/4"	
38	WORK TABLE	1	1L29-30	2-#12	1-#12	3/4"	
41	HOT AND COLD PASS THRU	1	1L29-42	3-#12	1-#12	3/4"	
43A	STEAMER	2	1H3-19	4-#8	1-#10	1"	
43B	STEAMER CONTROL	2	1H3-20	4-#8	1-#10	1"	
44	KETTLE	2	1L29-13	2-#12	1-#12	3/4"	
46	TILT SKILLET	2	1H3-8	4-#12	1-#12	3/4"	
47	TILT KETTLE	1	1H3-9	4-#12	1-#12	3/4"	
48A	FRYER WITH DUMP STATION	2	1H3-10	4-#10	1-#10	3/4"	
48B	DUPLEX RECEPTACLE	2	1H3-11	4-#10	1-#10	3/4"	
49A	CANOPY LIGHTS	1	1H3-17	4-#8	1-#10	1"	
49B	CANOPY EXHAUST/SUPPLY FAN	1	1H3-13	4-#10	1-#10	3/4"	
49C	CANOPY CONTROL	1	1H3-15	4-#10	1-#10	3/4"	
50A	FIRE CONTROL SYSTEM	1	1L29-27	2-#12	1-#12	3/4"	
52	SLICER	1	1L29-29	2-#12	1-#12	3/4"	
54	CONVECTION OVEN	3	1H17-19	4-#8	1-#10	1"	
55	HOT PLATE	1	1H3-16	4-#8	1-#10	1"	
56	DECK OVEN	2	1H3-18	4-#8	1-#10	1"	
57	MIXER	1	1L29-45	4-#8	1-#10	3/4"	
58	KETTLE	1	1H3-12	4-#10	1-#10	3/4"	
60A	CANOPY LIGHTS	1	1H3-14	4-#10	1-#10	3/4"	
60B	CANOPY EXHAUST/SUPPLY FAN	1	1L29-21	2-#12	1-#12	3/4"	
60C	CANOPY CONTROL	1	1L29-25	2-#12	1-#12	3/4"	
66	MIXER	1	1H3-4	3-#12	1-#12	3/4"	
71	HOT FOOD CABINET (MOBILE)	1	1L29-31	2-#12	1-#12	3/4"	
72	REFRIGERATOR/FREEZER	2	1H3-6	4-#12	1-#12	3/4"	
73	FRYER WITH FILTER	3	1L30-31	2-#12	1-#12	3/4"	
73A	BAGGING/SALT STATION	1	1L30-36	2-#10	1-#10	3/4"	
74A	CANOPY LIGHTS	1	1L32-27	2-#10	1-#10	3/4"	
74B	CANOPY EXHAUST/SUPPLY FAN	1	1H17-17	4-#10	1-#10	3/4"	
74C	CANOPY CONTROL	1	1H17-15	4-#10	1-#10	3/4"	
75A	FIRE CONTROL SYSTEM	1	1H17-13	4-#10	1-#10	3/4"	
78	SANDWICH REFRIGERATOR	1	1L30-30	2-#12	1-#12	3/4"	
81	BEVERAGE DISPENSER	2	1L30-20	2-#12	1-#12	3/4"	
83A	HOT FOOD COUNTER	1	1L30-28	2-#12	1-#12	3/4"	
83B	REFRIGERATED MODULE	1	1L29-36	2-#12	1-#12	3/4"	
83C	BEVERAGE DISPENSER	1	1L29-40	3-#12	1-#12	3/4"	
84A	REFRIGERATED MODULE	2	1L29-14	2-#12	1-#12	3/4"	
84B	ICE CREAM MODULE	1	1L29-16	2-#12	1-#12	3/4"	
85C	MILK DISPENSER	1	1L29-18	2-#12	1-#12	3/4"	
86A	HOT FOOD MODULE	1	1L29-20	2-#12	1-#12	3/4"	
86C	COLD FOOD MODULE	1	1L29-22	2-#12	1-#12	3/4"	
86D	BEVERAGE DISPENSER	1	1L29-24	2-#12	1-#12	3/4"	
86F	ICE CREAM MODULE	1	1L29-26	2-#12	1-#12	3/4"	
87	REFRIGERATOR	1	1L29-17	2-#12	1-#12	3/4"	
88	FOOD WARMER	1	1L29-19	2-#12	1-#12	3/4"	
89	YOGURT/SOFT ICE CREAM MACHINE	1	1L29-21	2-#12	1-#12	3/4"	
93	CASH REGISTER	6	1L29-35	2-#12	1-#12	3/4"	
100	DISPOSER	1	1L29-44	4-#12	1-#12	3/4"	
102	SANDWICH/FRENCH FRY WARMER	3	1L29-46	4-#12	1-#12	3/4"	
104	ICE MAKER W/BIN	1	1L30-26	2-#12	1-#12	3/4"	
105	ICE MAKER W/BIN	1	1L29-33	2-#12	1-#12	3/4"	
106	HOT FOOD TRANSPORT CABINET	2	1L29-34	2-#12	1-#12	3/4"	
107	COLD FOOD TRANSPORT CABINET	2	1L30-38	3-#12	1-#12	3/4"	
			1L30-40	3-#12	1-#12	3/4"	
			1L30-42	3-#12	1-#12	3/4"	
			1L29-26	2-#12	1-#12	3/4"	
			1L32-10	2-#12	1-#12	3/4"	
			1L32-12	2-#12	1-#12	3/4"	
			1L32-14	2-#12	1-#12	3/4"	
			1L32-16	2-#12	1-#12	3/4"	

ROOM NAME SCHEDULE

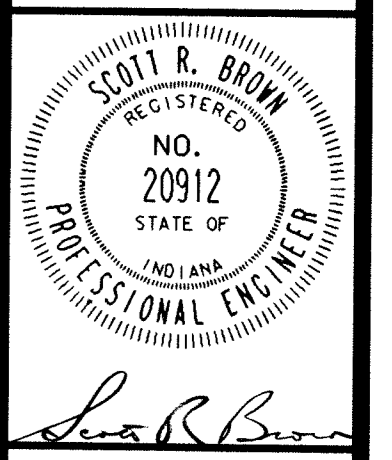
NO	NAME
H-101	VESTIBULE
H-102	TRASH
H-103	RECEIVING
H-104	OFFICE
H-105	WAREWASHING
H-106	FREEZER
H-107	COOLER
H-108	PASSAGE
H-109	KITCHEN
H-110	VESTIBULE
H-111	FAST FOODS
H-112	SERVING
H-113	CORRIDOR
H-114	CAFETERIA
H-115	CORRIDOR

- PLAN NOTES:
- (THESE NOTES APPLY TO THIS SHEET ONLY)
  - SEE SHEETS E0-1 AND E0-2 FOR ELECTRICAL SYMBOLS, SCHEDULES DETAILS AND NOTES
  - SEE SHEET E2-1 AND E2-2 FOR ELECTRICAL SITE PLAN.
  - SEE SHEET E8-1 THRU E8-6 FOR COMMUNICATIONS COMPOSITE PLANS, DISTRIBUTION DIAGRAMS AND DETAILS.
  - SEE SHEET E6-1 AND E6-2 FOR POWER DISTRIBUTION DIAGRAMS.
  - NOT USED
  - 3/4"C, 2-#10.
  - SEE SHEET A9-15 FOR EXACT LOCATION AND SHEET A9-16 FOR ELECTRICAL DEVICE DESCRIPTION.
  - SEE SHEET A9-15 FOR ELECTRICAL ROUGH-IN OF KITCHEN EQUIPMENT LOCATED WITHIN THIS LINE. SEE KITCHEN EQUIPMENT SCHEDULE THIS SHEET FOR KITCHEN EQUIPMENT CIRCUITS.
  - IN-WALL AMPLIFIER (XL2-19).
  - 3/4"C TO CASH REGISTER MICROPROCESSOR JUNCTION BOX LOCATED IN ROOM H-104.
  - TO CASH REGISTER MICROPROCESSOR.
  - METAL ROLLING DOOR CONTROLLER BY GENERAL CONTRACTOR INSTALLED BY ELECTRICAL CONTRACTOR.
  - TO CAFETERIA SOUND SYSTEM AMPLIFIER.

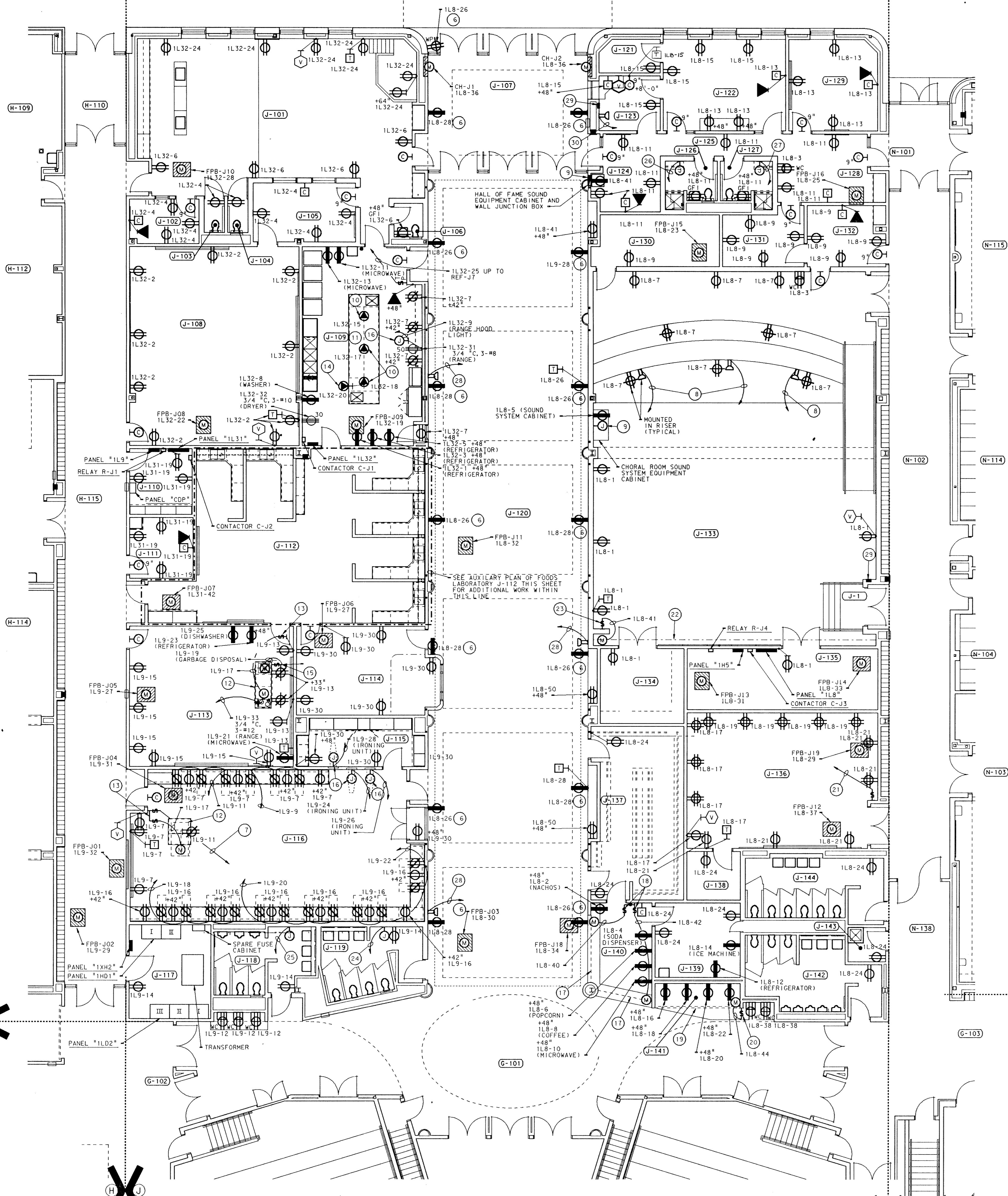


ADDITION TO and RENOVATION OF  
LAWRENCE CENTRAL HIGH SCHOOL  
for the METROPOLITAN SCHOOL DISTRICT of LAWRENCE TOWNSHIP  
MARION COUNTY, INDIANA

EVERETT I. BROWN Company  
Architects & Engineers  
950 NORTH MERIDIAN STREET  
INDIANAPOLIS, INDIANA 46204  
(317) 251-1000



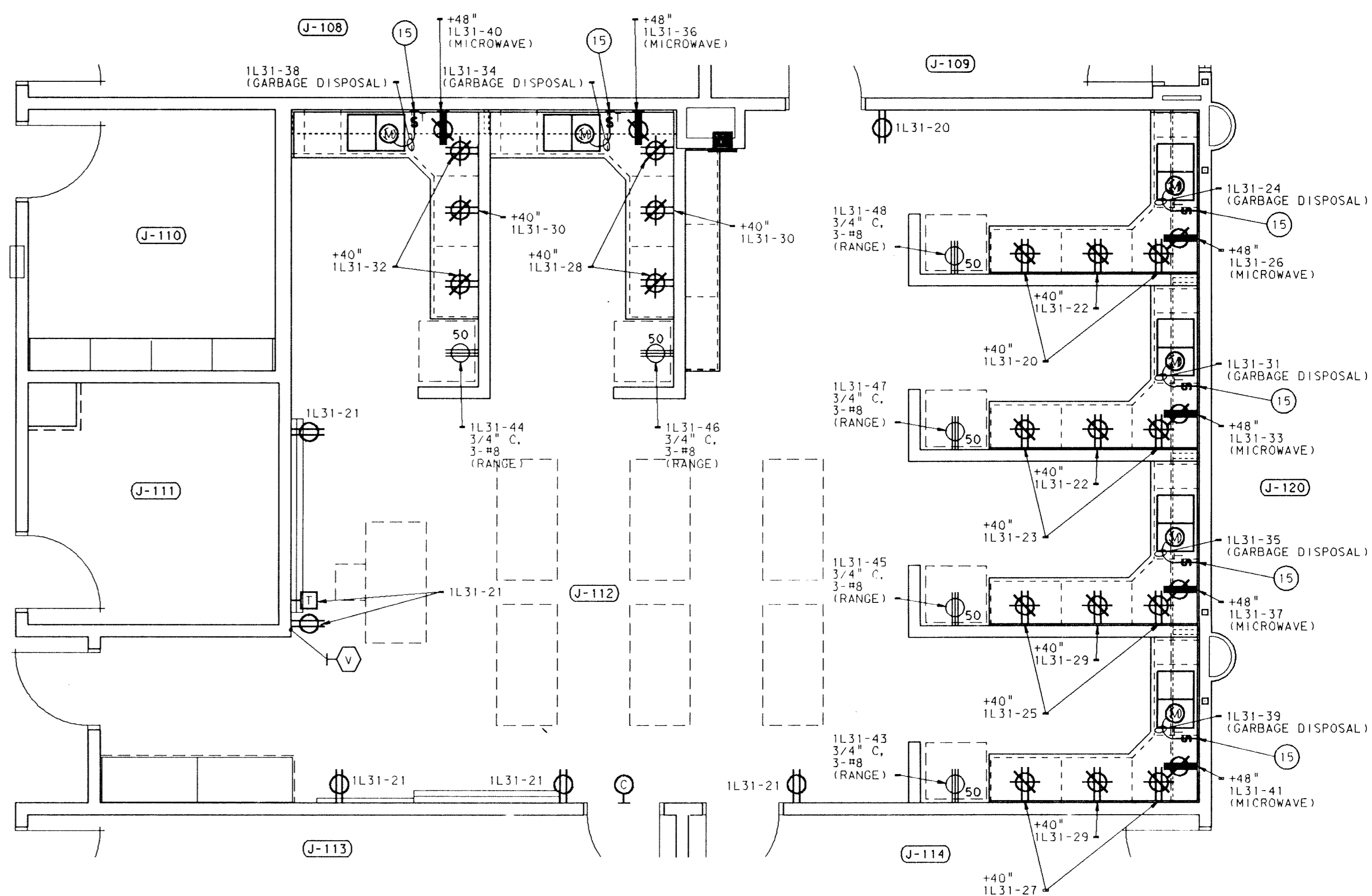
PROJECT 871-110  
DATE DEC. 18, 1989  
REVISED  
NOVEMBER 21, 1991 FOR INFORMATION ONLY. PREVIOUSLY BID IN ORIGINAL CONTRACT DOCUMENTS ISSUED DECEMBER 18, 1989



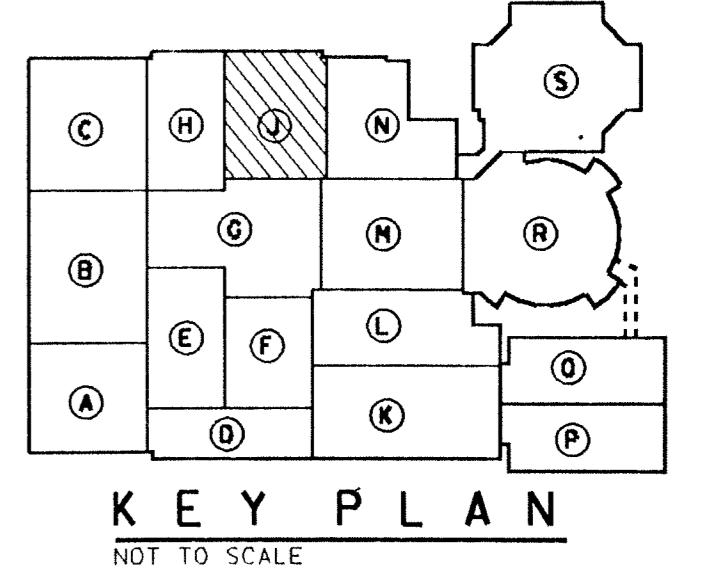
UNIT "J" POWER PLAN  
SCALE: 1/8" = 1'-0"

- PLAN NOTES:**  
(THESE NOTES APPLY TO THIS SHEET ONLY)
- SEE SHEETS E0-1 AND E0-2 FOR ELECTRICAL SYMBOLS, SCHEDULES, DETAILS AND NOTES.
  - SEE SHEETS E2-1 AND E2-2 FOR ELECTRICAL SITE PLAN.
  - SEE SHEETS E3-1 THRU E3-6 FOR COMMUNICATIONS COMPOSITE PLANS DISTRIBUTION DIAGRAMS AND DETAILS.
  - SEE SHEET E6-1 AND E6-2 FOR POWER DISTRIBUTION DIAGRAMS.
  - NOT USED.
  - 3/4" C, 2-#10.
  - MOMENTARY SWITCH WITH PILOT TO COIL OF RELAY R-J1 TO CONTROL CIRCUITS IL9-9, 11, 19, 20 AND 22.
  - TO CHORAL ROOM SOUND SYSTEM JUNCTION BOX LOCATED IN THIS ROOM.
  - 12"x12"x3" FLUSH MOUNTED SOUND SYSTEM JUNCTION BOX IN WALL BEHIND SOUND SYSTEM EQUIPMENT CABINET. INSTALL AT +24" TO TOP OF BOX.
  - SEE SHEET A9-15 FOR EXACT LOCATION AND SHEET A9-16 FOR ELECTRICAL DEVICE DESCRIPTION.
  - SEE SHEET A9-15 FOR ELECTRICAL ROUGH-IN OF KITCHEN EQUIPMENT LOCATED IN THIS ROOM. SEE KITCHEN EQUIPMENT SCHEDULE SHEET E4-1 FOR KITCHEN EQUIPMENT CIRCUITS.
  - OVERHEAD DEMONSTRATION MIRROR BY HOME ECONOMICS EQUIPMENT CONTRACTOR.
  - OVERHEAD DEMONSTRATION MIRROR CONTROLLER BY HOME ECONOMICS EQUIPMENT CONTRACTOR. INSTALLED BY ELECTRICAL CONTRACTOR.
  - 20 AMPERE RATED 3 WIRE 120V PEDASTAL TYPE FLOOR RECEPTACLE WITH GROUND 6" MAXIMUM OVERALL HEIGHT. (DISHWASHER)
  - GARBAGE DISPOSAL CONTROLLER BY HOME ECONOMICS EQUIPMENT CONTRACTOR. INSTALLED BY ELECTRICAL CONTRACTOR (MOUNT AT +42" A.F.F. UNLESS OTHERWISE NOTED).
  - FIELD VERIFY EXACT MOUNTING HEIGHT.
  - MIDGET SLAT SHUTTER BY GENERAL CONTRACTOR.
  - MIDGET SLAT SHUTTER CONTROLLER BY GENERAL CONTRACTOR. INSTALLED BY ELECTRICAL CONTRACTOR.
  - METAL ROLLING DOOR BY GENERAL CONTRACTOR.
  - METAL ROLLING DOOR CONTROLLER BY GENERAL CONTRACTOR. INSTALLED BY ELECTRICAL CONTRACTOR.
  - KEYED MOMENTARY SWITCH WITH PILOT TO COIL OF RELAY R-J4 TO CONTROL CIRCUITS IL8-17, 19 AND 21.
  - MOTORIZED CURTAIN BY STAGE RIGGING CONTRACTOR.
  - MOTORIZED CURTAIN CONTROLLER BY STAGE RIGGING CONTRACTOR. INSTALLED BY ELECTRICAL CONTRACTOR.
  - IL9-40 3/4" C, 2-#10 (HAND DRYER).
  - IL9-39 3/4" C, 2-#10 (HAND DRYER).
  - IL8-51 3/4" C, 2-#10 (HAND DRYER).
  - IL8-53 3/4" C, 2-#10 (HAND DRYER).
  - TO HALL OF FAME SOUND SYSTEM JUNCTION BOX.
  - AUDITORIUM CUE-INTERCOM SYSTEM WALL STATION AT +48".
  - TO AUDITORIUM PROGRAM MONITOR SYSTEM.

ROOM NAME SCHEDULE	
NO	NAME
J-101	HOME ECONOMICS
J-102	OFFICE
J-103	TOILET
J-104	TOILET
J-105	OFFICE
J-106	TOILET
J-107	VESTIBULE
J-108	RECITATION
J-109	CATERING
J-110	STORAGE
J-111	OFFICE
J-112	FOODS LABORATORY
J-113	RECITATION
J-114	LIVING DINING
J-115	DRESSING
J-116	SEWING LABORATORY
J-117	ELECTRICAL
J-118	MEN
J-119	WOMEN
J-120	HALL OF FAME
J-121	STORAGE
J-122	PERFORMING ARTS OFFICE
J-123	BOX OFFICE
J-124	SECRETARY
J-125	PASSAGE
J-126	TOILET
J-127	TOILET
J-128	WORKROOM
J-129	CONFERENCE
J-130	COSTUMES
J-131	MUSIC LIBRARY
J-132	OFFICE
J-133	CHORAL
J-134	PROPS
J-135	PLATFORM STORAGE
J-136	ELECTRONIC MUSIC
J-137	COATS
J-138	STORAGE
J-139	STORAGE
J-140	CONCESSIONS
J-141	VENDING
J-142	BOYS
J-143	CUSTODIAN
J-144	GIRLS
J-1	STAIR



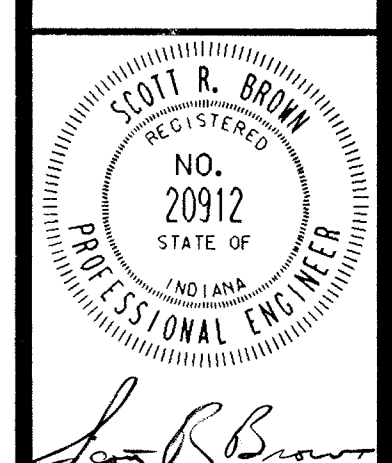
AUXILIARY PLAN OF FOODS LABORATORY J-112  
SCALE: 1/4" = 1'-0"



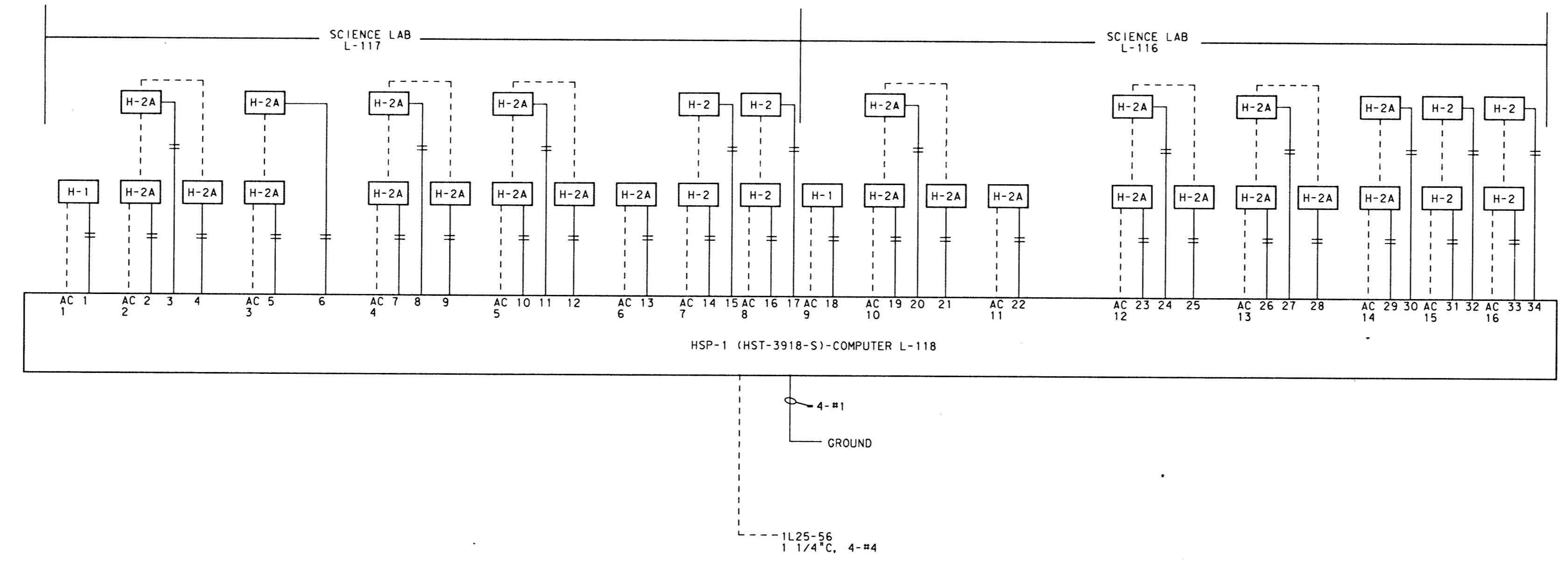
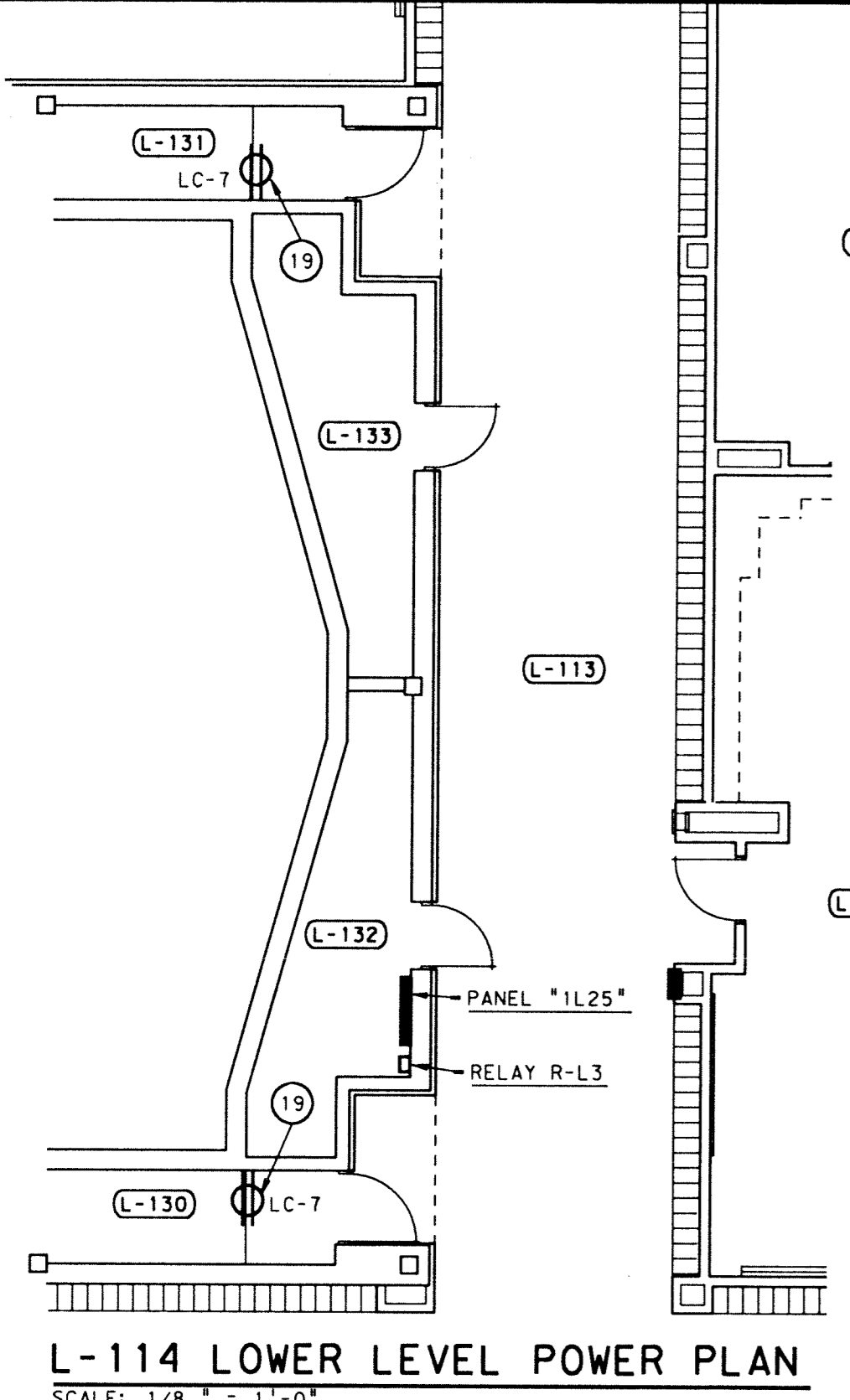
KEY PLAN  
NOT TO SCALE

**ADDITION TO and RENOVATION OF  
LAWRENCE CENTRAL HIGH SCHOOL**  
 for the METROPOLITAN SCHOOL DISTRICT of LAWRENCE TOWNSHIP  
 MARION COUNTY, INDIANA

**EVERETT I. Company**  
**Ed Brown**  
 Architects & Engineers  
 950 NORTH MERIDIAN STREET  
 INDIANAPOLIS, INDIANA 46204  
 (317) 237-7000



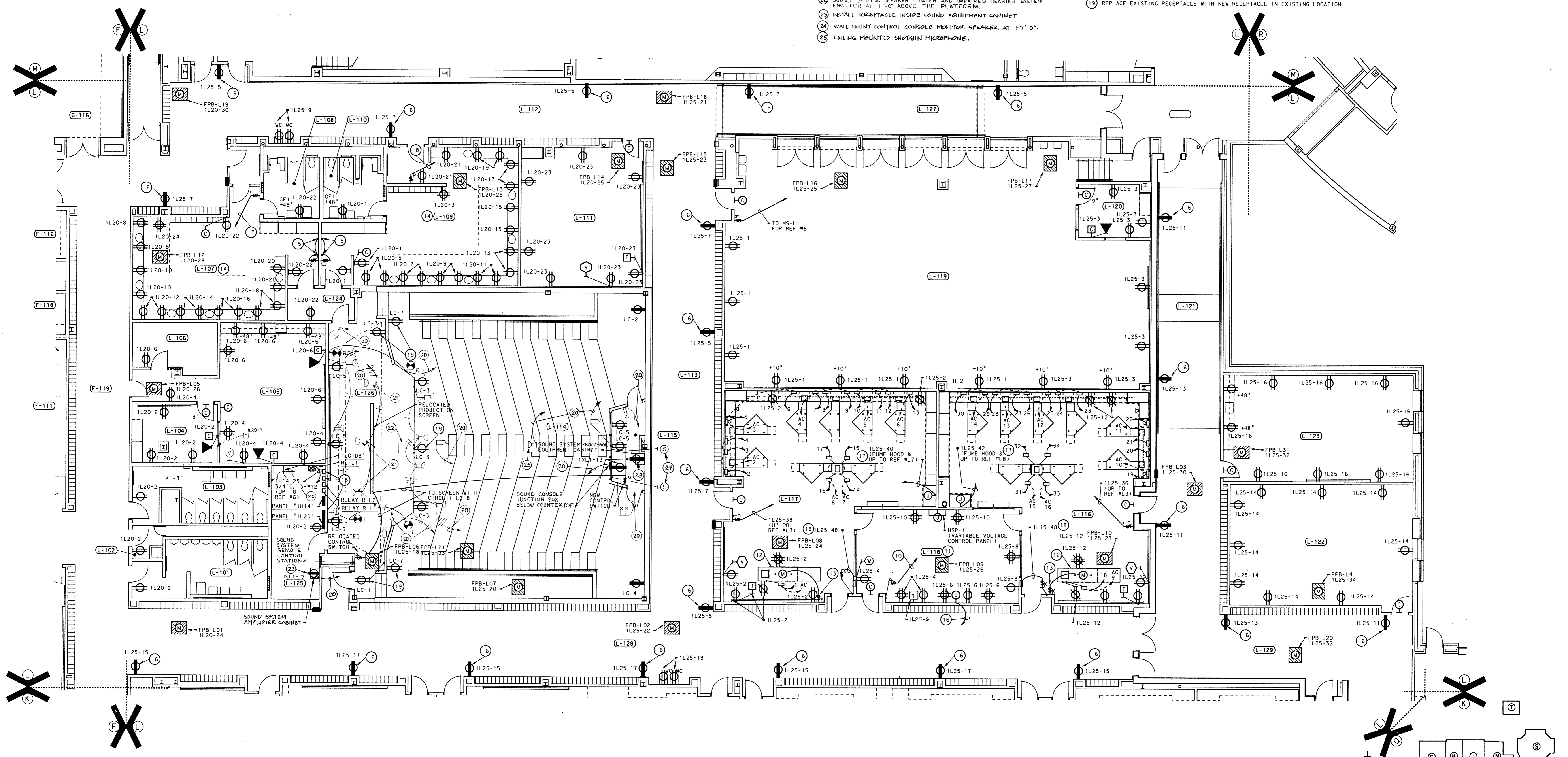
PROJECT  
 871-110  
 DATE  
 DEC. 18, 1989  
 REVISED  
 NOVEMBER 21, 1991  
 FOR INFORMATION  
 ONLY. PREVIOUSLY  
 BID IN ORIGINAL  
 CONTRACT DOCUMENTS  
 ISSUED  
 DECEMBER 18, 1989



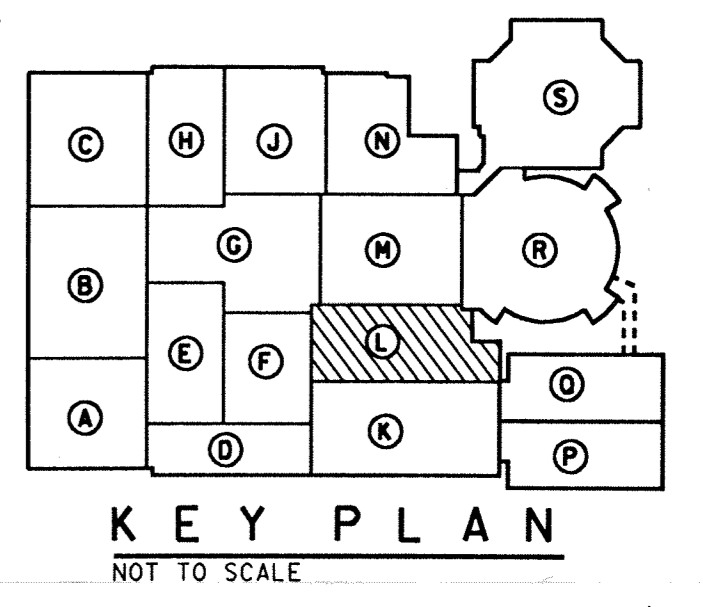
VARIABLE VOLTAGE RISER DIAGRAM  
NOT TO SCALE

- PLAN NOTES:**  
(THESE NOTES APPLY TO THIS SHEET ONLY)
- SEE SHEET E0-1 AND E0-2 FOR ELECTRICAL SYMBOLS, SCHEDULES, DETAILS AND NOTES.
  - SEE SHEET E2-1 AND E2-2 FOR ELECTRICAL SITE PLAN.
  - SEE SHEET E8-1 THRU E8-6 FOR COMMUNICATIONS COMPOSITE PLANS, DISTRIBUTION DIAGRAMS AND DETAILS.
  - SEE SHEET E6-1 AND E6-2 FOR POWER DISTRIBUTION.
  - ONE 20 AMP, 2P&G STAGE PIN CONNECTOR RECEPTACLE IN RECESSED OUTLET BOX AT 7'-0" ABOVE THE FLOOR, AND ONE 1000W DIMMER, CONNECT TO CIRCUIT 1L20-33 IN ROOM L-109 AND TO CIRCUIT 1L25-38 IN ROOM L-107.
  - 3/4" C, 2-#10.
  - MOMENTARY SWITCH WITH PILOT TO COIL OF RELAY R-L1 TO CONTROL CIRCUITS 1L20-8, 10, 12, 14, 16, 18, 20, 22 AND 24.
  - MOMENTARY SWITCH WITH PILOT TO COIL OF RELAY R-L2 TO CONTROL CIRCUITS 1L20-1, 3, 5, 7, 9, 11, 13, 15 17, 19 AND 21.
  - NOT USED.
  - MOMENTARY SWITCH WITH PILOT TO COIL OF RELAY R-L3 TO CONTROL CIRCUITS 1L25-2, 4, 6, 8 AND 10.
  - ALL RECEPTACLES IN THIS ROOM SHALL BE TRANSIENT VOLTAGE SURGE SUPPRESSION TYPE WITH ISOLATED GROUND (PASS & SEYMOUR 168262-05P).
  - OVERHEAD DEMONSTRATION MIRROR.
  - OVERHEAD DEMONSTRATION MIRROR CONTROLLER BY SCIENCE EQUIPMENT CONTRACTOR.
  - ALL RECEPTACLES LOCATED OVER THE VANITY COUNTER IN THIS ROOM SHALL BE MOUNTED IN THE CENTER OF THE BACK SPLASH.
  - CONTACTORS C-L1 & C-L2. SEE AUTOMATIC EXHAUST FAN SCHEDULE SHEET E0-2.
  - 1 1/4" C OR RIDOR TO CABLE TRAY. TERMINATE AT CABLE TRAY WITH BUSHING.
  - CIRCUIT LIGHT FIXTURE, RECEPTACLE AND ROOF EXHAUST FAN TO CIRCUIT AS INDICATED. LIGHT FIXTURE AND EXHAUST FAN SHALL BE SWITCHED VIA SEPARATE SWITCHES. SWITCHES SHALL BE PROVIDED BY SCIENCE EQUIPMENT CONTRACTOR.
  - RELAY PANEL AND KEY SWITCH FOR GAS SHUT-OFF VALVE SHALL BE PROVIDED BY THE MECHANICAL CONTRACTOR. THE ELECTRICAL CONTRACTOR SHALL MAKE ALL NECESSARY ELECTRICAL CONNECTIONS.
  - REPLACE EXISTING RECEPTACLE WITH NEW RECEPTACLE IN EXISTING LOCATION.

- TO SOUND SYSTEM EQUIPMENT CABINET IN CONTROL ROOM L-115.
- MOUNT ON STRUCTURAL FRAMING SYSTEM BELOW CEILING IN THIS AREA.
- SOUND SYSTEM SPEAKER CLUSTER AND IMPAIRED HEARING SYSTEM EMITTER AT 17'-0" ABOVE THE PLATFORM.
- INSTALL RECEPTACLE INSIDE SOUND EQUIPMENT CABINET.
- WALL MOUNT CONTROL CONSOLE MONITOR SPEAKER AT 7'-0".
- CEILING MOUNTED SHOTGUN MICROPHONE.

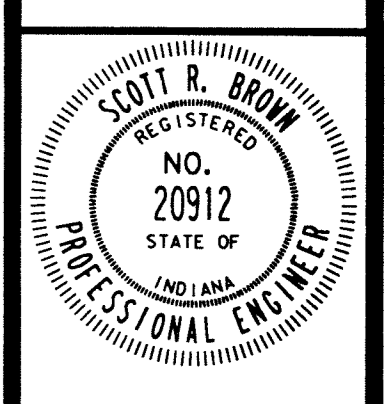


UNIT "L" POWER PLAN  
SCALE: 1/8" = 1'-0"



CONTINUING ADDITION TO and RENOVATION OF  
**LAWRENCE CENTRAL HIGH SCHOOL**  
 for the METROPOLITAN SCHOOL DISTRICT of LAWRENCE TOWNSHIP  
 MARION COUNTY, INDIANA

**EVERETT I. BROWN Company**  
**EDBROWN**  
 Architects & Engineers  
 950 NORTH MERIDIAN STREET  
 INDIANAPOLIS, INDIANA 46204  
 (317) 237-7000



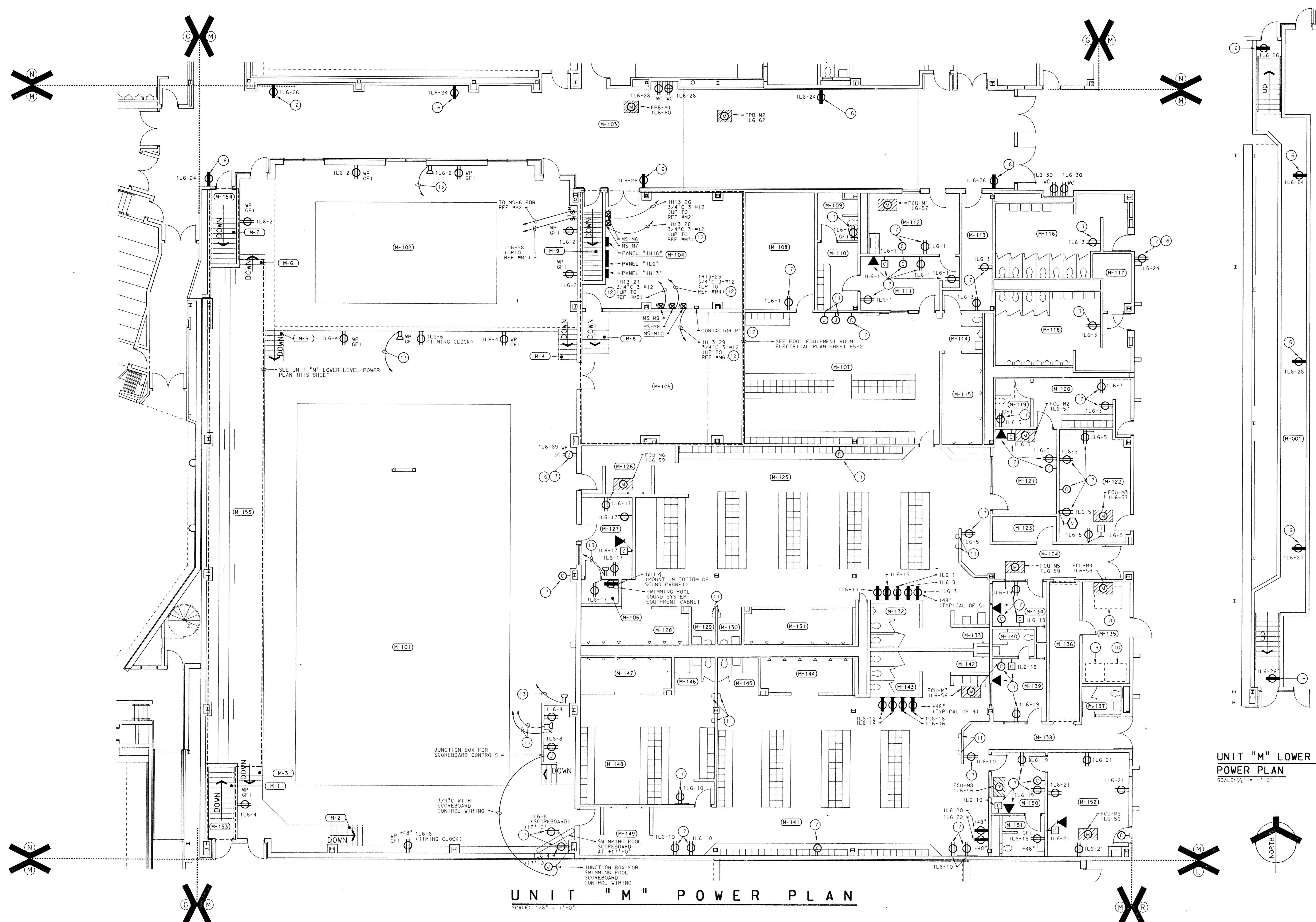
PROJECT 871-110  
 DATE DEC. 18, 1989  
 REVISED  
 MAR. 21, 1991  
 NOVEMBER 21, 1991 FOR INFORMATION ONLY. PREVIOUSLY BID IN ORIGINAL CONTRACT DOCUMENTS ISSUED DECEMBER 18, 1989

ROOM NAME SCHEDULE

NO	NAME
M-101	SWIMMING POOL
M-102	DIVING POOL
M-103	CORRIDOR
M-104	MECHANICAL EQUIPMENT
M-105	MECHANICAL EQUIPMENT
M-106	STORAGE
M-107	LOCKER ROOM
M-108	STORAGE
M-109	TOILET
M-110	COACHES LOCKER ROOM
M-111	COACHES
M-112	COACHES LOUNGE
M-113	PASSAGE
M-114	TOILET
M-115	SHOWER
M-116	GIRLS
M-117	CUSTODIAN
M-118	BOYS
M-119	TOILET
M-120	OFFICIALS
M-121	OFFICE
M-122	CONFERENCE
M-123	STORAGE
M-124	PASSAGE
M-125	BOYS LOCKER ROOM
M-126	SHOWER
M-127	OFFICE
M-128	SHOWER
M-129	TOILET
M-130	TOILET
M-131	SHOWER
M-132	TOILET
M-133	SHOWER
M-134	OFFICE
M-135	LAUNDRY
M-136	TOWELS
M-137	TOILET
M-138	PASSAGE
M-139	GIRLS COACHES OFFICE
M-140	TOILET
M-141	GIRLS LOCKER ROOM
M-142	SHOWER
M-143	TOILET
M-144	SHOWER
M-145	TOILET
M-146	TOILET
M-147	SHOWER
M-148	VARSITY LOCKERS
M-149	SHOWER
M-150	GIRLS P.E. OFFICE
M-151	TOILET
M-152	P.E. OFFICE
M-153	PASSAGE
M-154	PASSAGE
M-155	SPECTATOR
M-156	NOT USED
M-1	STAIR
M-2	STAIR
M-3	STAIR
M-4	STAIR
M-5	STAIR
M-6	STAIR
M-7	STAIR
M-8	STAIR
M-9	STAIR

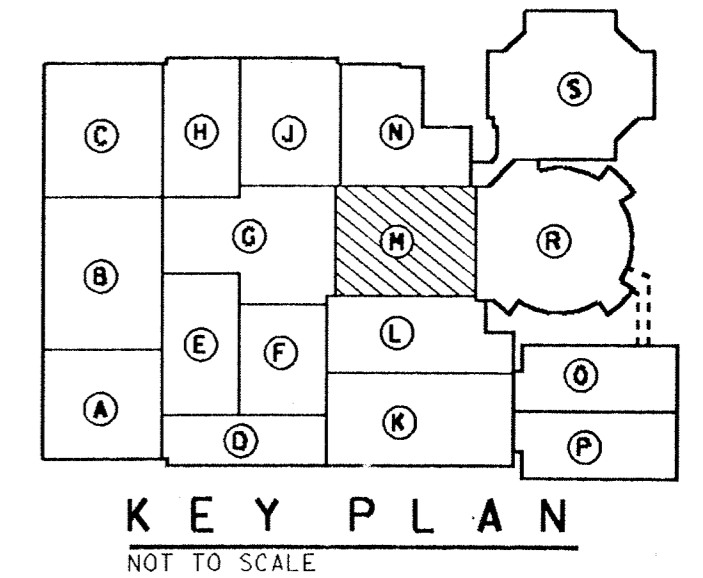
PLAN NOTES:

- (THESE NOTES APPLY TO THIS SHEET ONLY)
- SEE SHEET E0-1 AND E0-2 FOR ELECTRICAL SYMBOLS, SCHEDULES, DETAILS AND NOTES
  - SEE SHEET E2-1 AND E2-2 FOR ELECTRICAL SITE PLAN.
  - SEE SHEET E8-1 THRU E8-6 FOR COMMUNICATIONS COMPOSITE PLANS, DISTRIBUTION DIAGRAMS AND DETAILS.
  - SEE SHEET E6-1 AND E6-2 FOR POWER DISTRIBUTION.
  - NOT USED
  - 3/4"C, 2-#10.
  - REPLACE EXISTING ELECTRICAL DEVICE WITH NEW DEVICE IN EXISTING LOCATION.
  - CIRCUIT EXISTING EXTRACTOR TO CIRCUIT IH13-30 UTILIZING 3/4"C, 3-#10.
  - CIRCUIT EXISTING WASHER TO CIRCUIT IL6-71 UTILIZING 3/4"C, 3-#10.
  - CIRCUIT EXISTING WASHER TO CIRCUIT IL6-72 UTILIZING 3/4"C, 3-#10.
  - REMOVE EXISTING HAIR DRYER OR HAND DRYER AND ANY EXPOSED CONDUIT. PROVIDE A BLANK COVER PLATE.
  - SEE AUTOMATIC EXHAUST FAN SCHEDULE SHEET E0-2.
  - TO SWIMMING POOL SOUND SYSTEM EQUIPMENT.



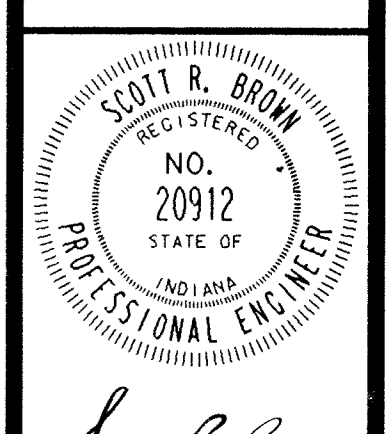
UNIT "M" POWER PLAN  
SCALE: 1/8" = 1'-0"

UNIT "M" LOWER LEVEL  
POWER PLAN  
SCALE: 1/8" = 1'-0"



ADDITION TO and RENOVATION OF  
**LAWRENCE CENTRAL HIGH SCHOOL**  
 for the METROPOLITAN SCHOOL DISTRICT of LAWRENCE TOWNSHIP  
 MARION COUNTY, INDIANA

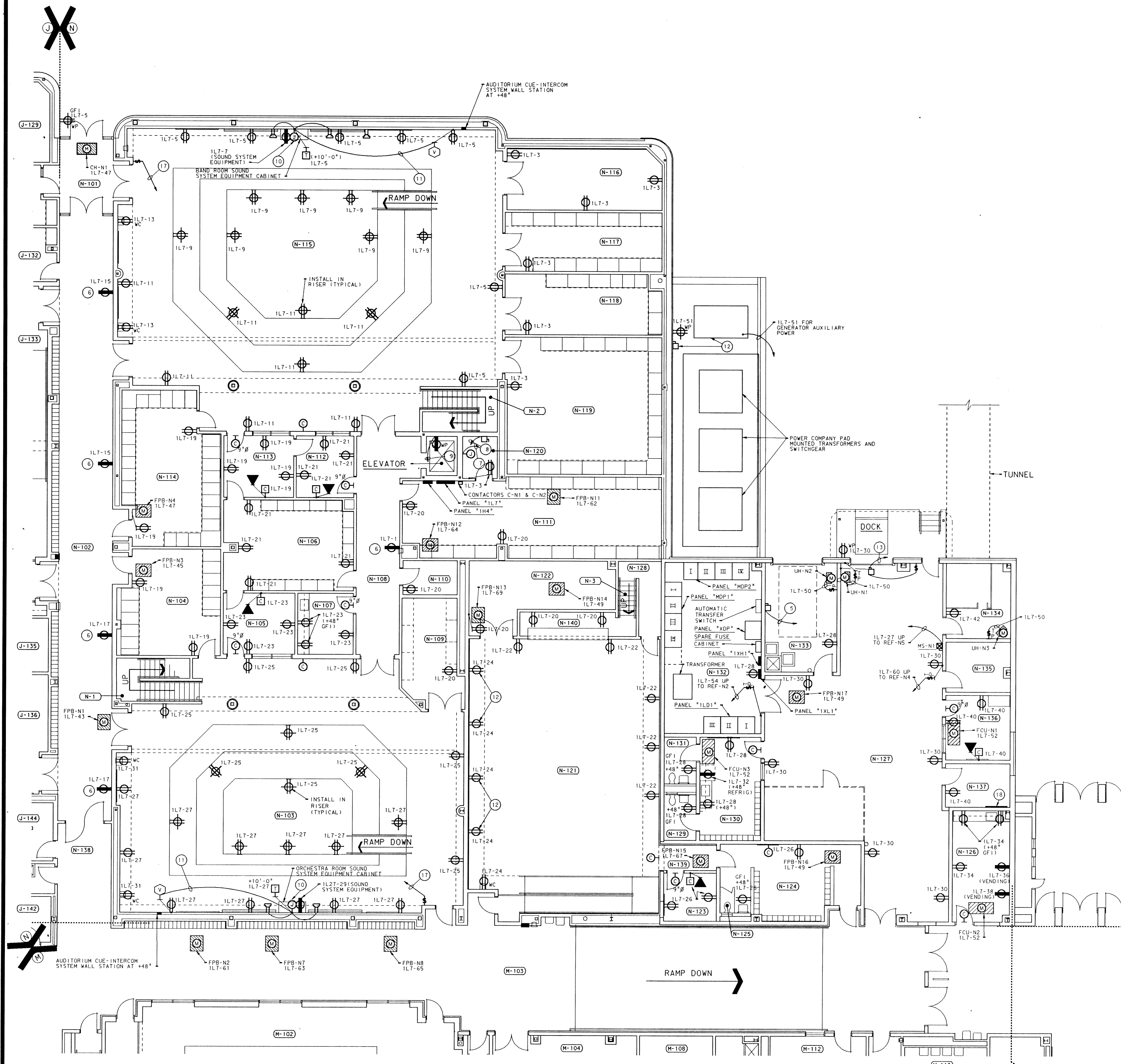
**EVERETT I. Company**  
**EBROWN**  
 Architects & Engineers  
 950 NORTH MERIDIAN STREET  
 INDIANAPOLIS, INDIANA 46204  
 (317) 231-1000



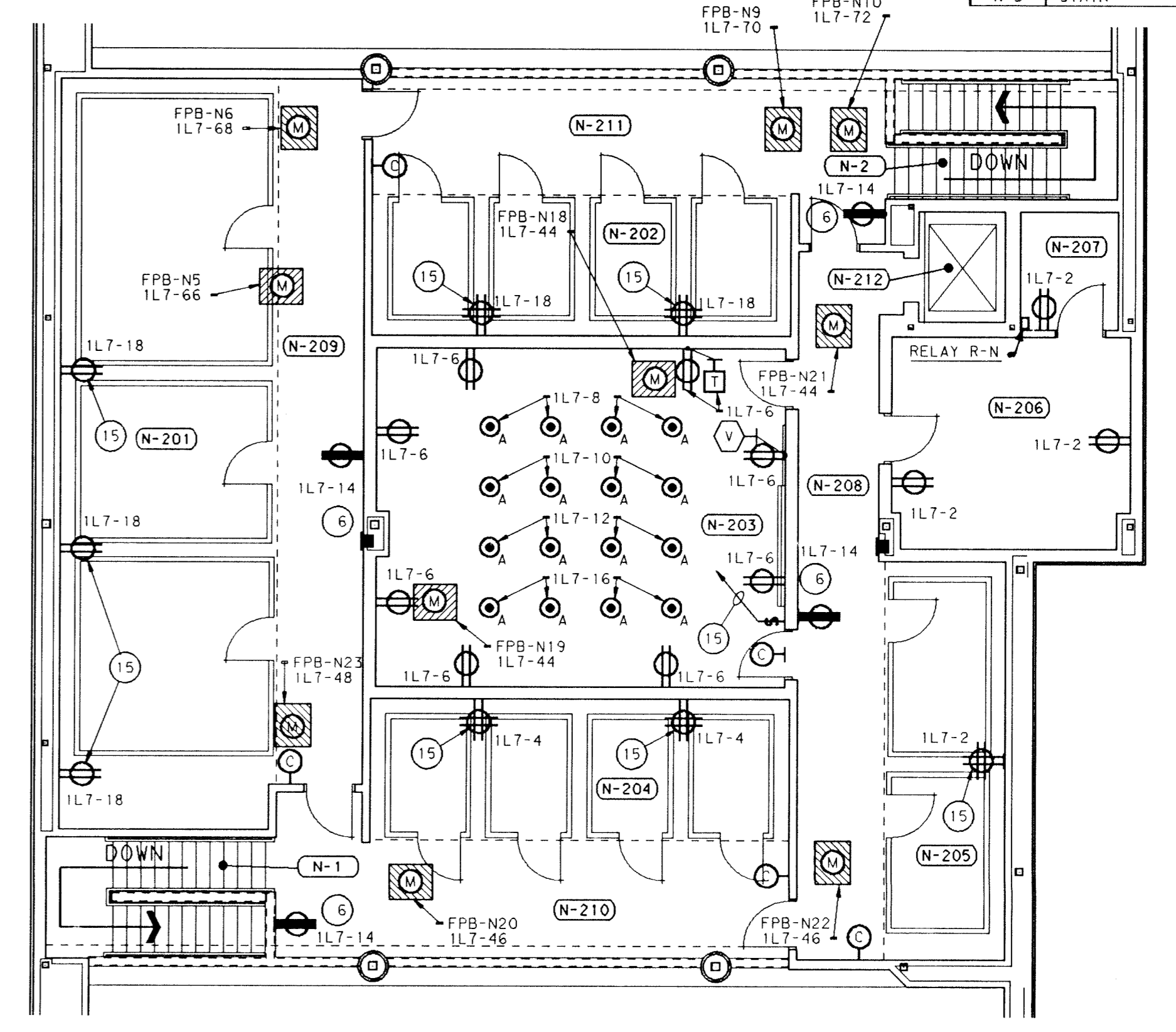
PROJECT  
 871-110  
 DATE  
 DEC. 18, 1989  
 REVISIONS  
 NOVEMBER 21 1991  
 FOR INFORMATION  
 ONLY. PREVIOUSLY  
 BID IN ORIGINAL  
 CONTRACT DOCU-  
 MENTS ISSUED  
 DECEMBER 18, 1989

ROOM NAME SCHEDULE	
NO	NAME
N-101	VESTIBULE
N-102	CORRIDOR
N-103	ORCHESTRA
N-104	INSTRUMENTS STORAGE
N-105	OFFICE
N-106	MUSIC LIBRARY
N-107	INSTRUMENT REPAIR
N-108	CORRIDOR
N-109	CELLO
N-110	PRACTICE
N-111	UNIFORMS
N-112	OFFICE
N-113	OFFICE
N-114	INSTRUMENTS STORAGE
N-115	BAND
N-116	ENSEMBLE
N-117	LARGE INSTRUMENTS
N-118	PERCUSSION
N-119	UNIFORMS
N-120	ELEVATOR EQUIPMENT
N-121	REHEARSAL
N-122	STORAGE
N-123	OFFICE
N-124	DRESSING
N-125	TOILET
N-126	LOUNGE
N-127	RECEIVING
N-128	PASSAGE
N-129	TOILET
N-130	LOUNGE
N-131	TOILET
N-132	ELECTRICAL
N-133	COMPACTOR
N-134	SPRINKLER ROOM
N-135	TOXIC
N-136	OFFICE
N-137	TELECOMMUNICATIONS
N-138	CORRIDOR
N-139	PASSAGE
N-140	PLATFORM
N-201	ENSEMBLE
N-202	PRACTICE
N-203	KEYBOARD
N-204	PRACTICE
N-205	ENSEMBLE
N-206	STORAGE
N-207	PASSAGE
N-208	PASSAGE
N-209	PASSAGE
N-210	PASSAGE
N-211	PASSAGE
N-212	ELEVATOR
N-1	STAIR
N-2	STAIR
N-3	STAIR

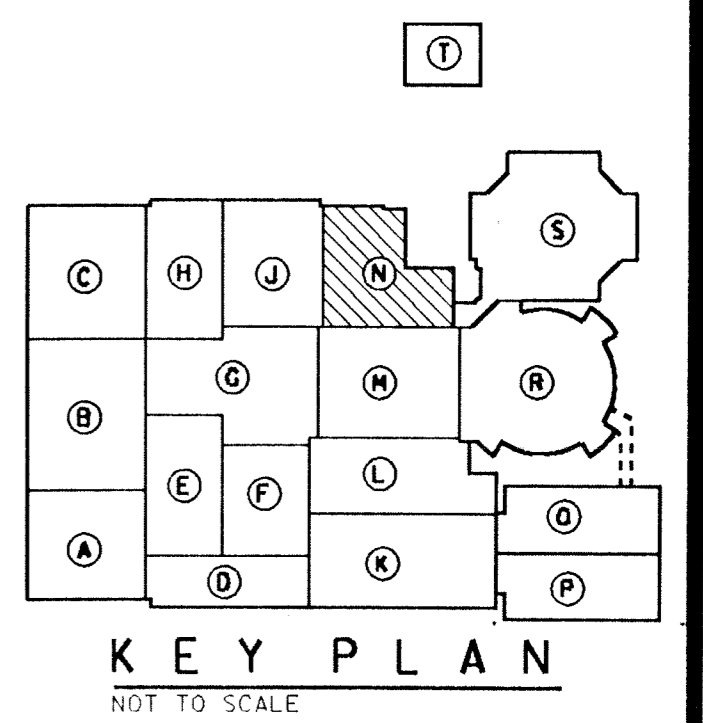
- PLAN NOTES**  
(THESE NOTES APPLY TO THIS SHEET ONLY.)
- SEE SHEETS E0-1 AND E0-2 FOR ELECTRICAL SYMBOLS, SCHEDULES, DETAILS AND NOTES.
  - SEE SHEET E2-1 AND E2-2 FOR ELECTRICAL SITE PLAN.
  - SEE SHEET E8-1 THRU E8-6 FOR COMMUNICATION COMPOSITE PLANS, DISTRIBUTION DIAGRAMS AND DETAILS.
  - SEE SHEET E6-1 AND E6-2 FOR POWER DISTRIBUTION DIAGRAM.
  - 30 AMP DISCONNECT FOR COMPACTOR, 1H4-25, 3/4"C, 4-#12. COMPACTOR BY OWNER. VERIFY LOCATION OF DISCONNECT WITH OWNER.
  - 3/4"C, 2-#10
  - 3/4"C TO CABLE TRAY FOR ELEVATOR TELEPHONE.
  - 30 AMP FUSIBLE DISCONNECT SWITCH FUSED AT 30 AMPS FOR ELEVATOR. CONNECT TO 1H4-28 WITH 3/4"C, 4-#10.
  - 1XH1- FOR SUMP PUMP IN ELEVATOR PIT.
  - 12"X12"X3" FLUSH MOUNTED JUNCTION BOX IN WALL BEHIND SOUND SYSTEM EQUIPMENT CABINET. INSTALL AT +24" TO TOP OF BOX.
  - 3/4"C WITH TELEVISION COAXIAL CABLE FROM ROOM SOUND SYSTEM VCR TO V.I.S. SYSTEM BOX VIDEO INPUT.
  - EMERGENCY GENERATOR AND DISCONNECT - SEE SHEET E6-2.
  - 1H4-26, 3/4"C, 4-#12 TO DOCK LIFT MOTOR. DOCK LIFT CONTROLLER BY GENERAL CONTRACTOR. PROVIDE 2"C TO LIFT FOR HYDRAULIC LINES.
  - COORDINATE MOUNTING HEIGHT WITH WALL MIRRORS.
  - RECEPTACLE FOR WENGER SELF CONTAINED PRACTICE UNIT. VERIFY EXACT LOCATION OF RECEPTACLE TO WENGER UNIT.
  - KEYED MOMENTARY SWITCH WITH PILOT LIGHT TO RELAY R-N1 TO CONTROL CIRCUITS 1L7-8, 10, 12, AND 16.
  - 1L7-35 UP TO MOTORIZED CURTAIN MOTOR. MOTOR CONTROLLER BY GENERAL CONTRACTOR.
  - 3/4"x2"x8" PLYWOOD BACKBOARD BY GENERAL CONTRACTOR FOR BREAK-OUT PANEL #4.



**UNIT "N" FIRST FLOOR POWER PLAN**  
SCALE: 1/8" = 1'-0"



**UNIT "N" SECOND FLOOR POWER PLAN**  
SCALE: 1/8" = 1'-0"



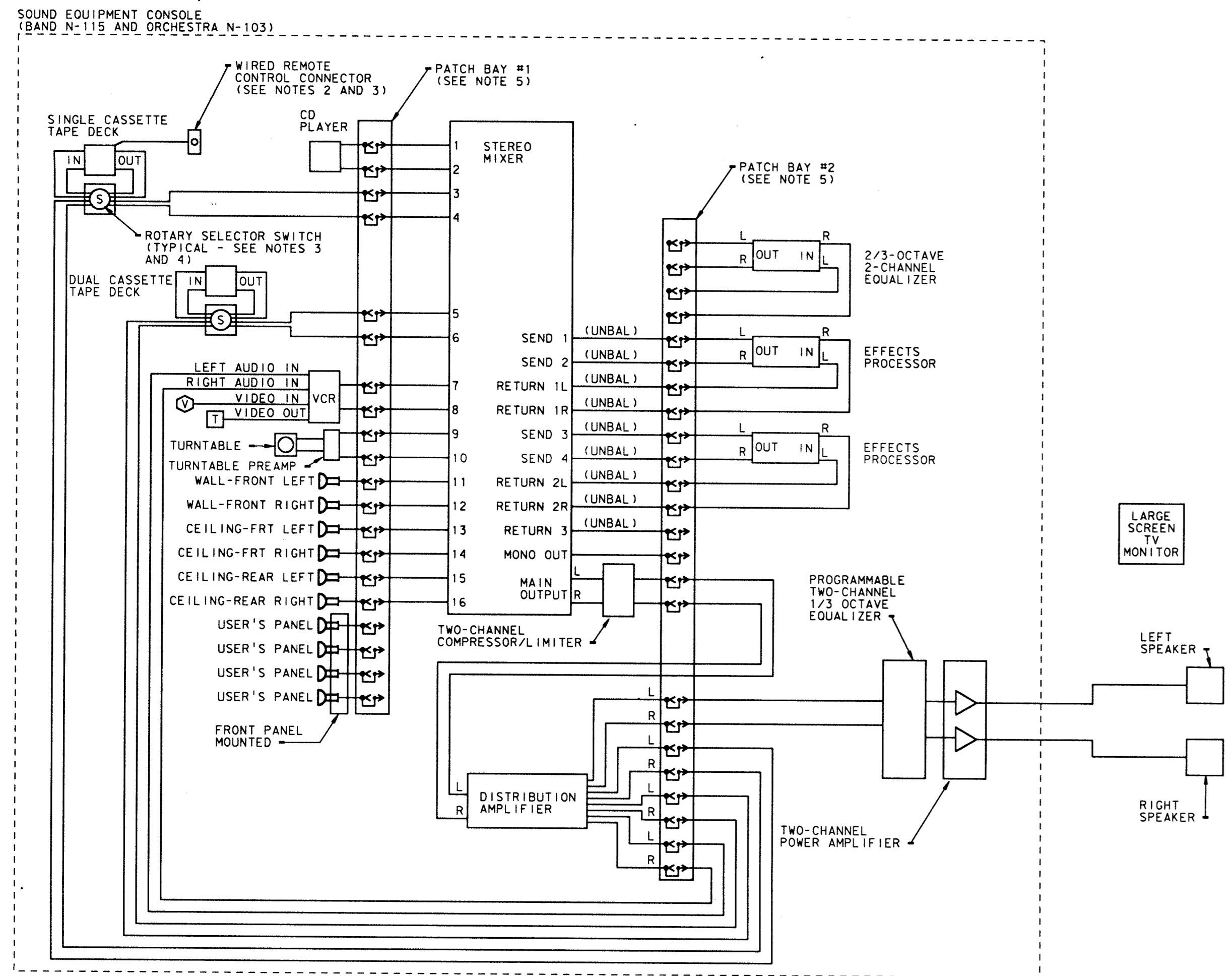
**KEY PLAN**  
NOT TO SCALE

**ADDITION TO and RENOVATION OF  
LAWRENCE CENTRAL HIGH SCHOOL**  
for the METROPOLITAN SCHOOL DISTRICT of LAWRENCE TOWNSHIP  
MARION COUNTY, INDIANA

**EVERETT L. CROWN Company**  
Architects & Engineers  
950 NORTH MERIDIAN STREET  
INDIANAPOLIS, INDIANA 46204  
(317) 237-7000

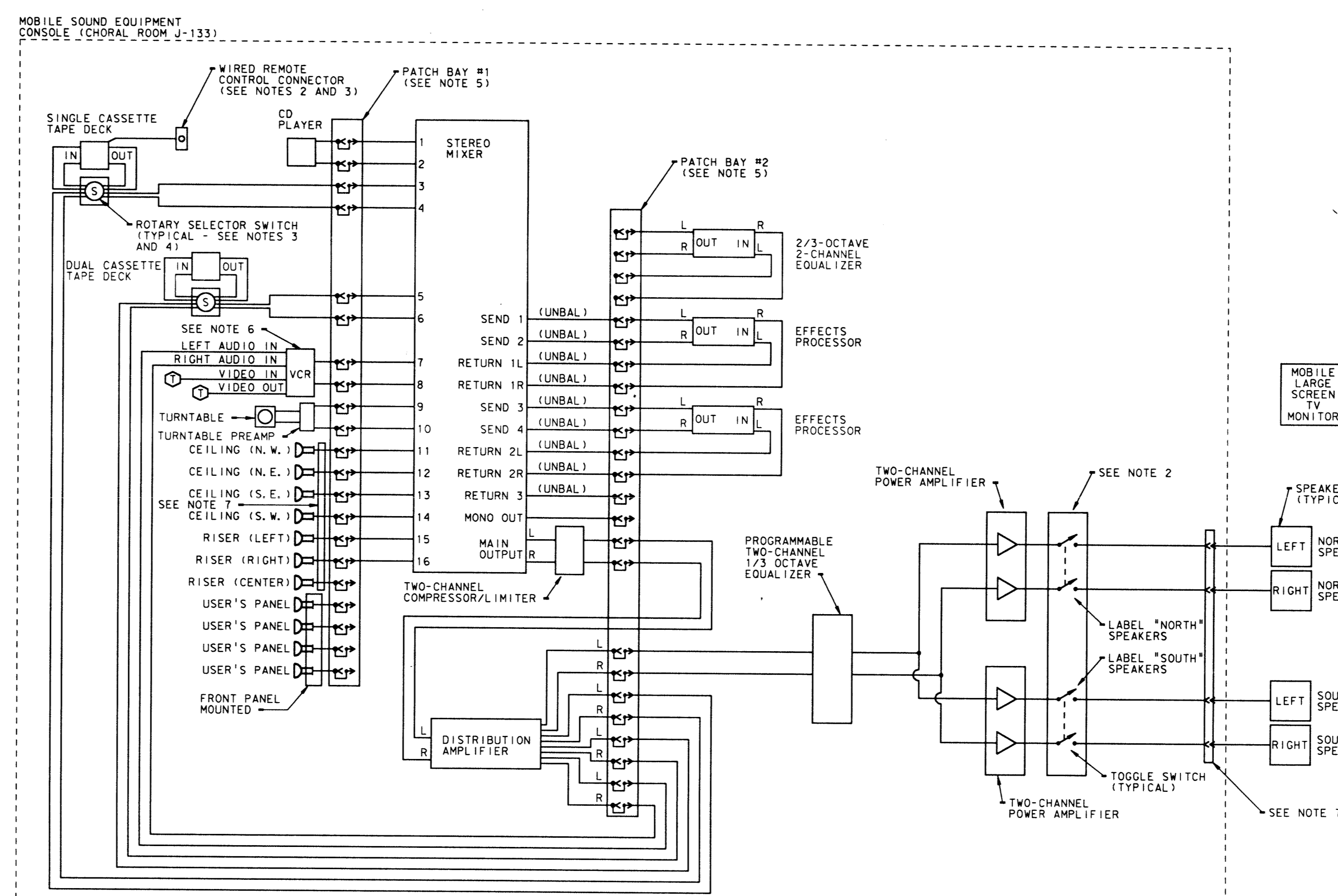
SCOTT R. BROWN  
REGISTERED  
NO. 20912  
STATE OF  
INDIANA  
PROFESSIONAL ENGINEER

PROJECT  
871-110  
DATE  
DEC. 18, 1989  
REVISED  
NOVEMBER 21, 1991  
FOR INFORMATION  
ONLY. PREVIOUSLY  
BID IN ORIGINAL  
CONTRACT DOCUMENTS ISSUED  
DECEMBER 18, 1989.



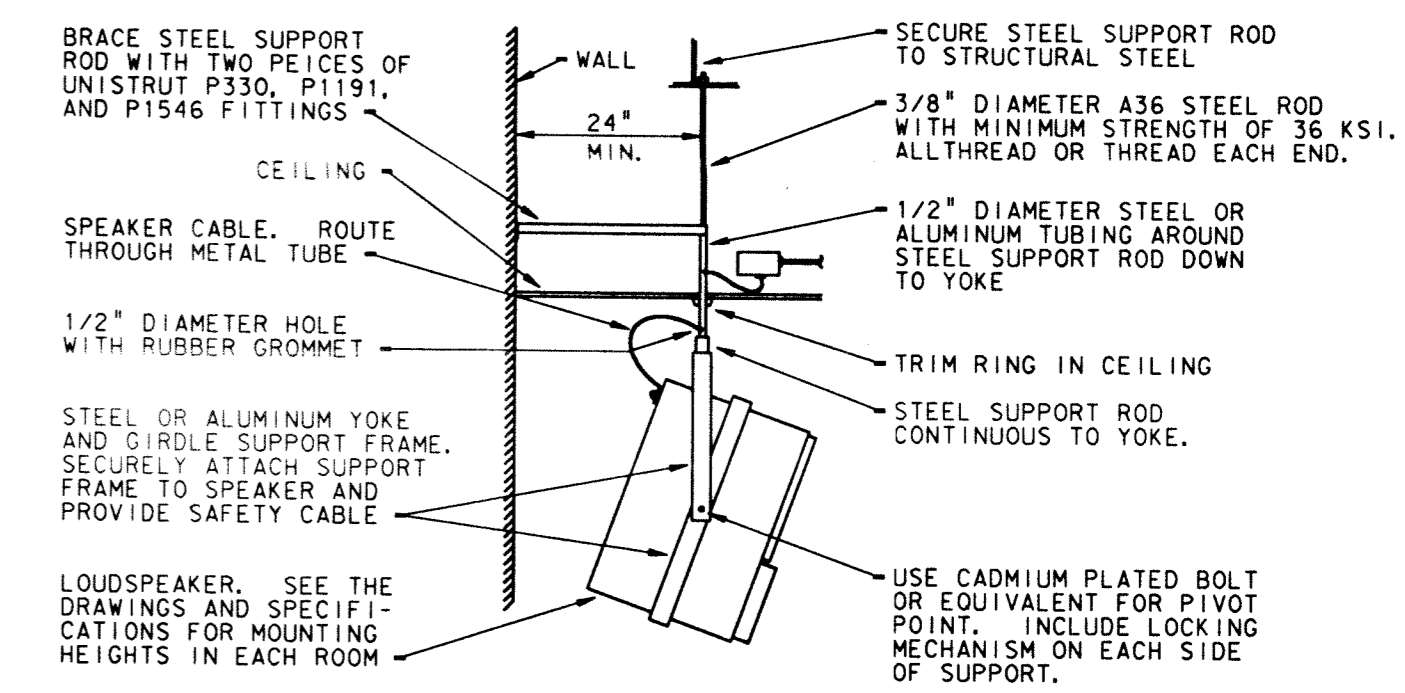
**BAND ROOM N-115 AND ORCHESTRA ROOM N-103 SOUND SYSTEMS DISTRIBUTION DIAGRAM**  
NOT TO SCALE

- NOTES:
1. ALL MICROPHONE AND LINE LEVEL INPUTS AND OUTPUTS TO BE BALANCED LINES UNLESS NOTED OTHERWISE.
  2. LABEL "SINGLE CASSETTE REMOTE CONTROL".
  3. MOUNT ALL USER'S PANEL MICROPHONE INPUTS, CASSETTE DECK SWITCHES, SPEAKER, TOGGLE SWITCHES AND WIRED REMOTE CONTROL CONNECTOR ON BLANK PANELS ON FRONT OF EQUIPMENT CONSOLE.
  4. TWO-POSITION, EIGHT-POLE, ROTARY SWITCH. LABEL SWITCH POSITIONS "CASSETTE PLAY" AND "CASSETTE RECORD". "PLAY" POSITION TO CONNECT CASSETTE DECK OUTPUT TO MIXER INPUT. "RECORD" POSITION TO CONNECT MIXER OUTPUT TO CASSETTE DECK INPUT. LABEL SWITCH TO IDENTIFY TAPE DECK TO WHICH IT IS CONNECTED.
  5. 26X2 PATCH BAY. INPUTS NORMALLED THROUGH.
  6. THIS DIAGRAM IS TYPICAL FOR BAND ROOM N-115 AND THE ORCHESTRA ROOM N-103.



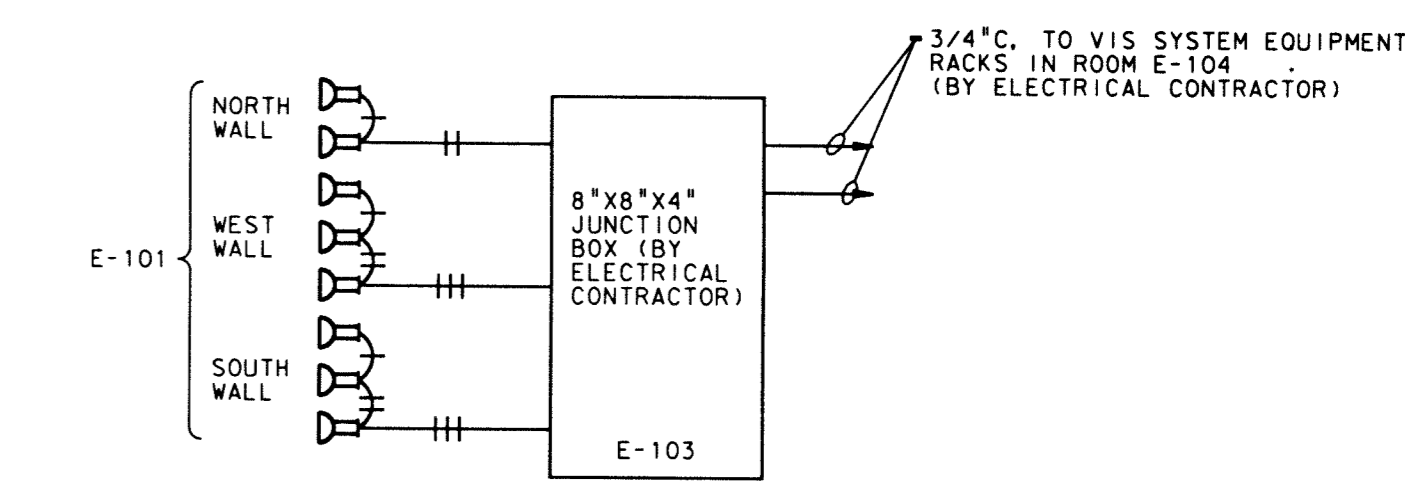
**CHORAL ROOM J-133 SOUND SYSTEM DISTRIBUTION DIAGRAM**  
NOT TO SCALE

- NOTES:
1. ALL MICROPHONE AND LINE LEVEL INPUTS AND OUTPUTS TO BE BALANCED LINES UNLESS NOTED OTHERWISE.
  2. LABEL "SINGLE CASSETTE REMOTE CONTROL".
  3. MOUNT ALL USER'S PANEL MICROPHONE INPUTS, CASSETTE DECK SWITCHES, SPEAKER, TOGGLE SWITCHES AND WIRED REMOTE CONTROL CONNECTOR ON BLANK PANELS ON FRONT OF EQUIPMENT CONSOLE.
  4. TWO-POSITION, EIGHT-POLE, ROTARY SWITCH. LABEL SWITCH POSITIONS "CASSETTE PLAY" AND "CASSETTE RECORD". "PLAY" POSITION TO CONNECT CASSETTE DECK OUTPUT TO MIXER INPUT. "RECORD" POSITION TO CONNECT MIXER OUTPUT TO CASSETTE DECK INPUT. LABEL SWITCH TO IDENTIFY TAPE DECK TO WHICH IT IS CONNECTED.
  5. 26X2 PATCH BAY. INPUTS NORMALLED THROUGH.
  6. VCR AUDIO AND VIDEO DUBBING CONNECTORS ARE TO BE ACCESSIBLE AT THE FRONT OF THE EQUIPMENT CONSOLE. VIDEO OUTPUT JACK SHOWN TO BE MOUNTED ON FRONT OF CONSOLE (IT IS NOT THE SAME JACK AS THAT SHOWN ON THE FLOOR PLAN).
  7. SEVEN MICROPHONE INPUTS AND FOUR SPEAKER OUTPUTS ROUTED THROUGH CONNECTOR PANELS MOUNTED ON REAR OF EQUIPMENT CONSOLE AND ON WEST WALL. LABEL EACH CONNECTOR.



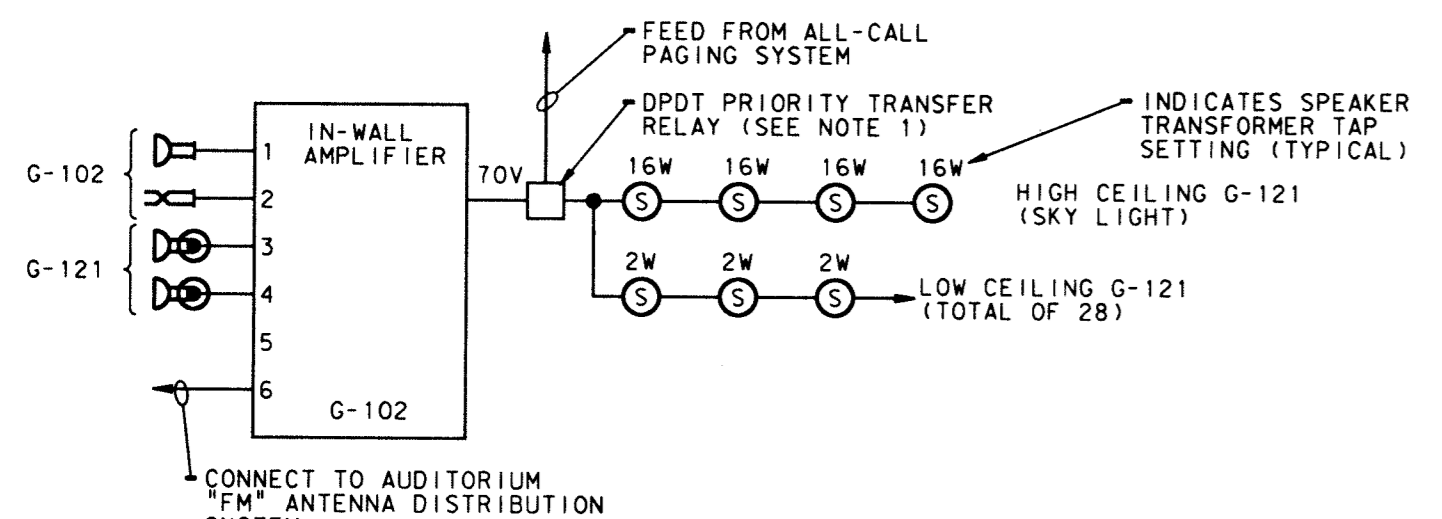
**BAND, ORCHESTRA AND CHORAL ROOMS SUSPENDED STEREO SPEAKER SUPPORT DETAIL**  
NOT TO SCALE

- NOTE: 1. FINISH ALL EXPOSED SURFACES OF SUPPORT FRAME WITH THREE COATS OF BLACK SEMI-GLOSS, SPRAY-APPLIED ENAMEL PAINT.



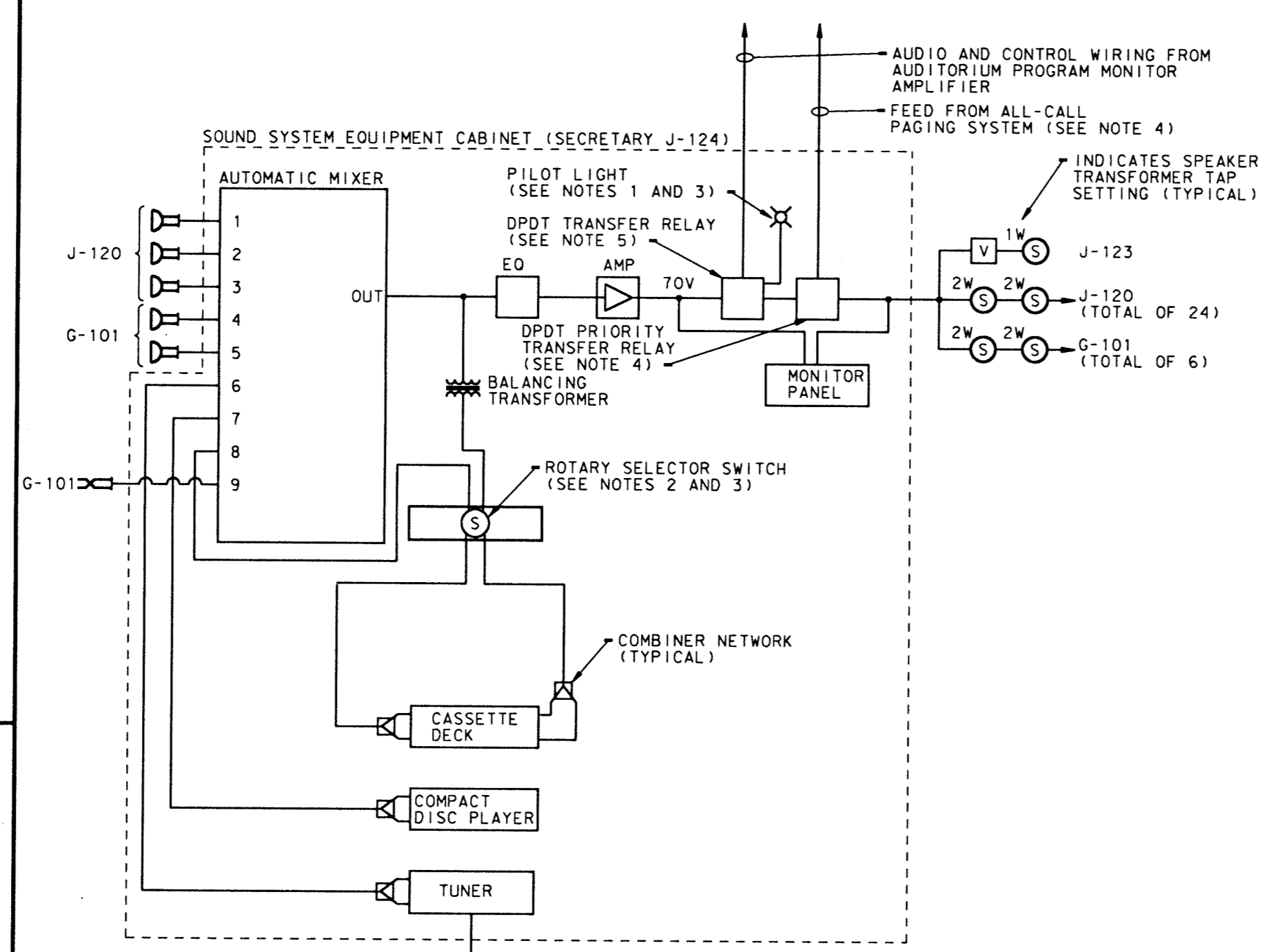
**STUDIO E-101 SOUND SYSTEM DISTRIBUTION DIAGRAM**  
NOT TO SCALE

- NOTE: 1. TERMINATE MICROPHONE CABLES ON TERMINAL STRIPS INSIDE OF JUNCTION BOX.



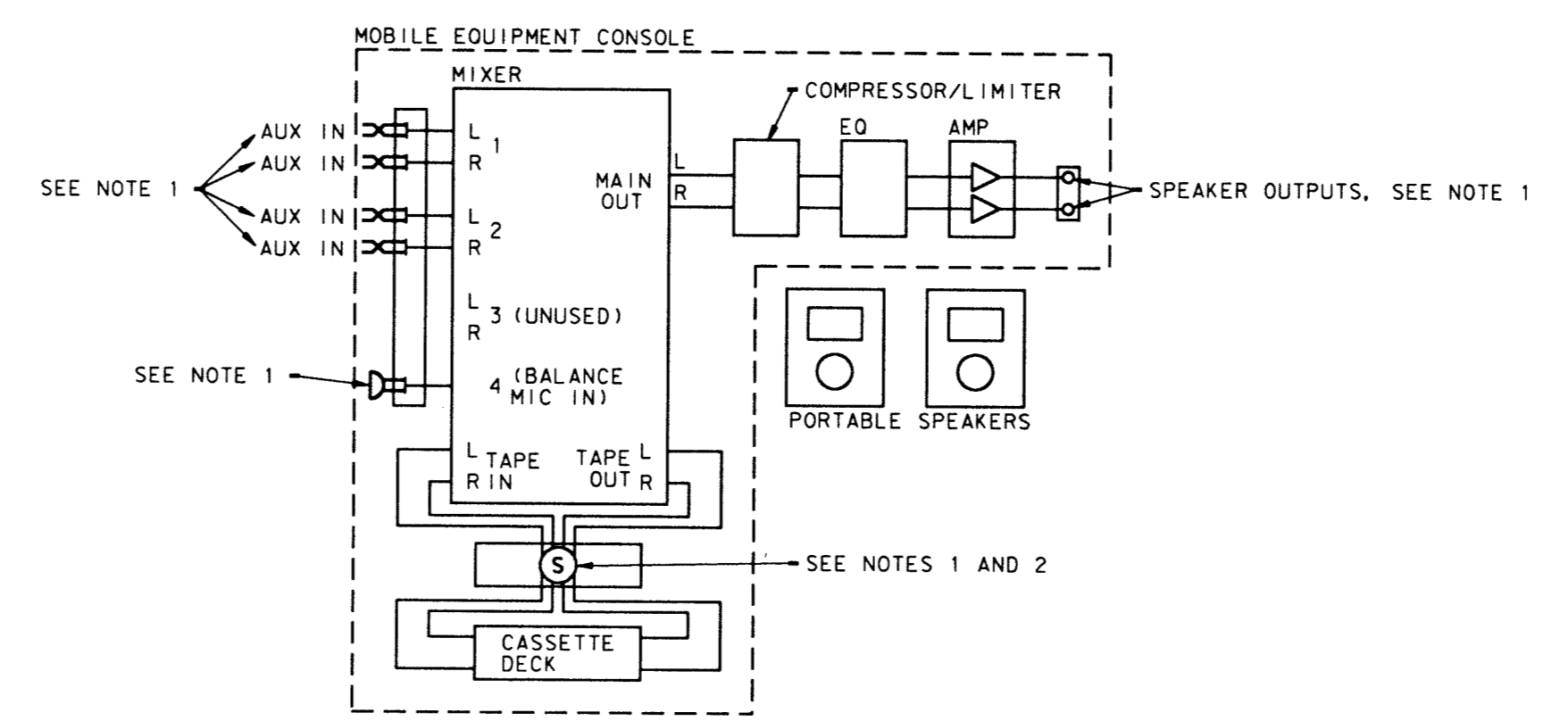
**STUDENT MALL G-102 SOUND SYSTEM DISTRIBUTION DIAGRAM**  
NOT TO SCALE

- NOTE: 1. DPDT PRIORITY TRANSFER RELAY PROVIDED UNDER ALL-CALL PAGING SYSTEM. LOCATE RELAY ABOVE ACCESSIBLE CEILING ADJACENT TO THE AMPLIFIER.



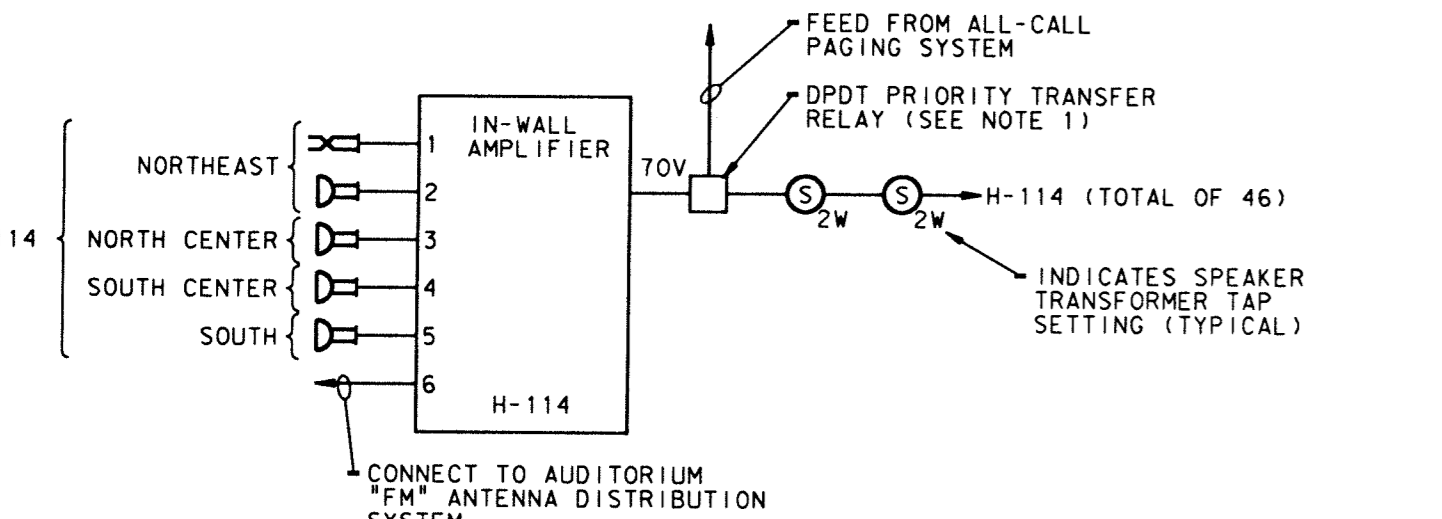
**HALL OF FAME J-120 SOUND SYSTEM DISTRIBUTION DIAGRAM**  
NOT TO SCALE

- NOTES:
1. PROVIDE PILOT LIGHT AND LABEL "SPEAKERS CONNECTED TO AUDITORIUM SYSTEM". CONNECT ACROSS COIL OF RELAY.
  2. TWO-POSITION, FOUR-POLE ROTARY SWITCH. LABEL SWITCH POSITIONS "CASSETTE PLAY" AND "CASSETTE RECORD". "PLAY" POSITION TO CONNECT CASSETTE DECK OUTPUT TO MIXER INPUT. "RECORD" POSITION TO CONNECT MIXER OUTPUT TO CASSETTE DECK INPUT.
  3. MOUNT PILOT LIGHT AND ROTARY SELECTOR SWITCH ON SAME BLANK PANEL.
  4. PAGING SYSTEM DPDT PRIORITY TRANSFER RELAY PROVIDED UNDER ALL-CALL PAGING SYSTEM. LOCATE RELAY INSIDE EQUIPMENT CABINET.
  5. AUDITORIUM SOUND SYSTEM DPDT TRANSFER RELAY.



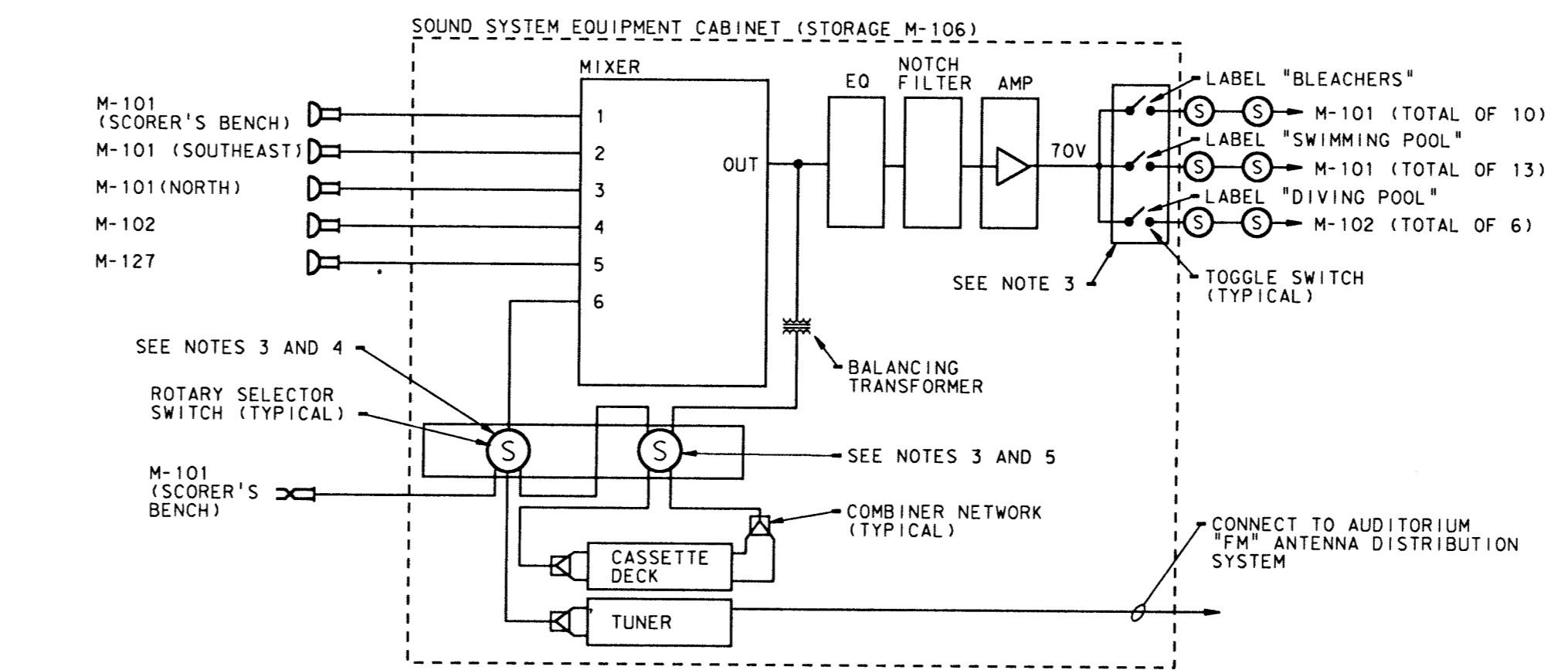
**MUSIC DEPARTMENT PORTABLE SOUND SYSTEM DISTRIBUTION DIAGRAM**  
NOT TO SCALE

- NOTES:
1. MOUNT AUXILIARY INPUTS, MICROPHONE INPUT, SELECTOR SWITCH AND SPEAKER OUTPUT JACKS ON BLANK PANELS. LABEL THESE DEVICES AS INDICATED IN THE SPECIFICATIONS.
  2. TWO-POSITION, EIGHT-POLE ROTARY SWITCH. LABEL SWITCH POSITIONS "CASSETTE PLAY" AND "CASSETTE RECORD". "PLAY" POSITION TO CONNECT CASSETTE DECK OUTPUT TO MIXER INPUT. "RECORD" POSITION TO CONNECT MIXER OUTPUT TO CASSETTE DECK INPUT. LABEL SWITCH TO IDENTIFY TAPE DECK TO WHICH IT IS CONNECTED.



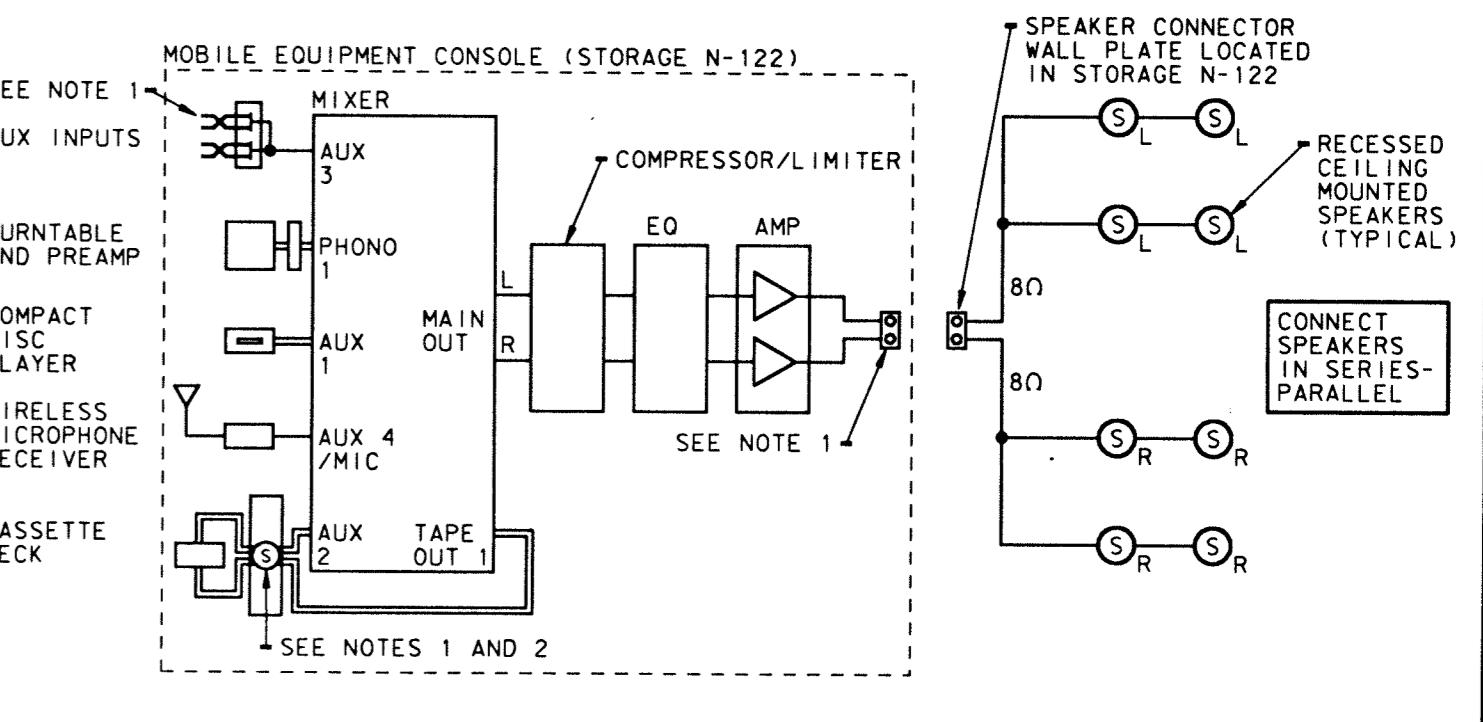
**CAFETERIA H-114 SOUND SYSTEM DISTRIBUTION DIAGRAM**  
NOT TO SCALE

- NOTE: 1. DPDT PRIORITY TRANSFER RELAY PROVIDED UNDER ALL-CALL PAGING SYSTEM. LOCATE RELAY ABOVE ACCESSIBLE CEILING ADJACENT TO THE AMPLIFIER.



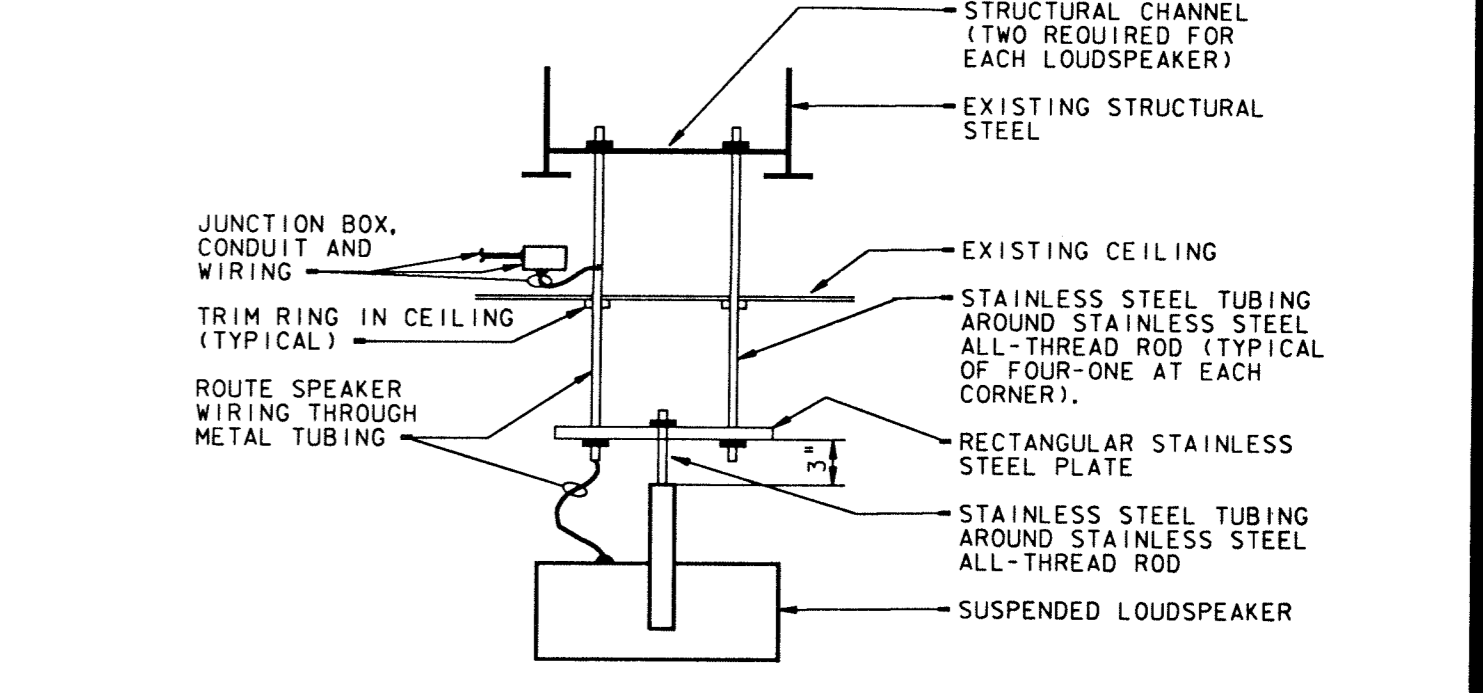
**SWIMMING POOL M-101 SOUND SYSTEM DISTRIBUTION DIAGRAM**  
NOT TO SCALE

- NOTES:
1. TAP ALL SPEAKERS AT 7.5 WATTS.
  2. AIM M-101 BLEACHER SPEAKERS AT APPROXIMATELY 30° FOR THE BEST POSSIBLE COVERAGE OF THE BLEACHERS. AIM ALL OTHER SPEAKERS AT AN ANGLE THAT PROVIDES THE BEST POSSIBLE COVERAGE FOR THE DECK AREA AROUND THE SWIMMING AND DIVING POOLS.
  3. MOUNT ALL SWITCHES ON THE SAME BLANK PANEL.
  4. THREE-POSITION SWITCH WITH THREE TWO-POLE INPUTS SELECTABLE TO ONE TWO-POLE OUTPUT. LABEL SWITCH POSITIONS "AUXILIARY", "TUNER" AND "CASSETTE".
  5. TWO-POSITION, FOUR-POLE ROTARY SWITCH. LABEL SWITCH POSITIONS "CASSETTE PLAY" AND "CASSETTE RECORD". "PLAY" POSITION TO CONNECT CASSETTE DECK OUTPUT TO MIXER INPUT. "RECORD" POSITION TO CONNECT MIXER OUTPUT TO CASSETTE DECK INPUT.



**REHEARSAL ROOM N-121 SOUND SYSTEM DISTRIBUTION DIAGRAM**  
NOT TO SCALE

- NOTES:
1. MOUNT AUXILIARY INPUTS, SELECTOR SWITCH AND SPEAKER OUTPUT JACKS ON BLANK PANELS. LABEL INPUTS AND OUTPUTS WITH DESIGNATIONS INDICATED IN THE SPECIFICATIONS.
  2. TWO-POSITION, EIGHT-POLE ROTARY SWITCH. LABEL SWITCH POSITIONS "CASSETTE PLAY" AND "CASSETTE RECORD". "PLAY" POSITION TO CONNECT CASSETTE DECK OUTPUT TO MIXER INPUT. "RECORD" POSITION TO CONNECT MIXER OUTPUT TO CASSETTE DECK INPUT. MOUNT ON FRONT PANEL.

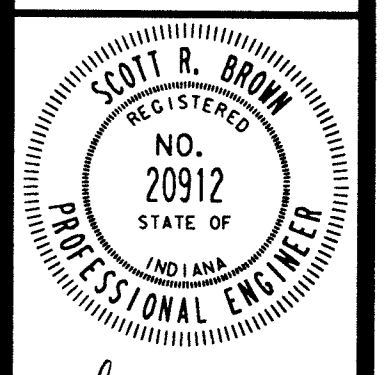


**SWIMMING POOL M-101 SUSPENDED LOUSPEAKER SUPPORT DETAIL**  
NOT TO SCALE

- NOTE: 1. TREAT ALL LOCK-NUT JOINTS WITH THREAD-LOCKING COMPOUND.
2. EACH SUPPORT STRUCTURE SHALL BE CAPABLE OF SUPPORTING A MINIMUM OF 150 LBS. (DEAD LOAD).

CONTINUING ADDITION TO AND RENOVATION OF  
**LAWRENCE CENTRAL HIGH SCHOOL**  
 for the METROPOLITAN SCHOOL DISTRICT of LAWRENCE TOWNSHIP  
 MARION COUNTY, INDIANA

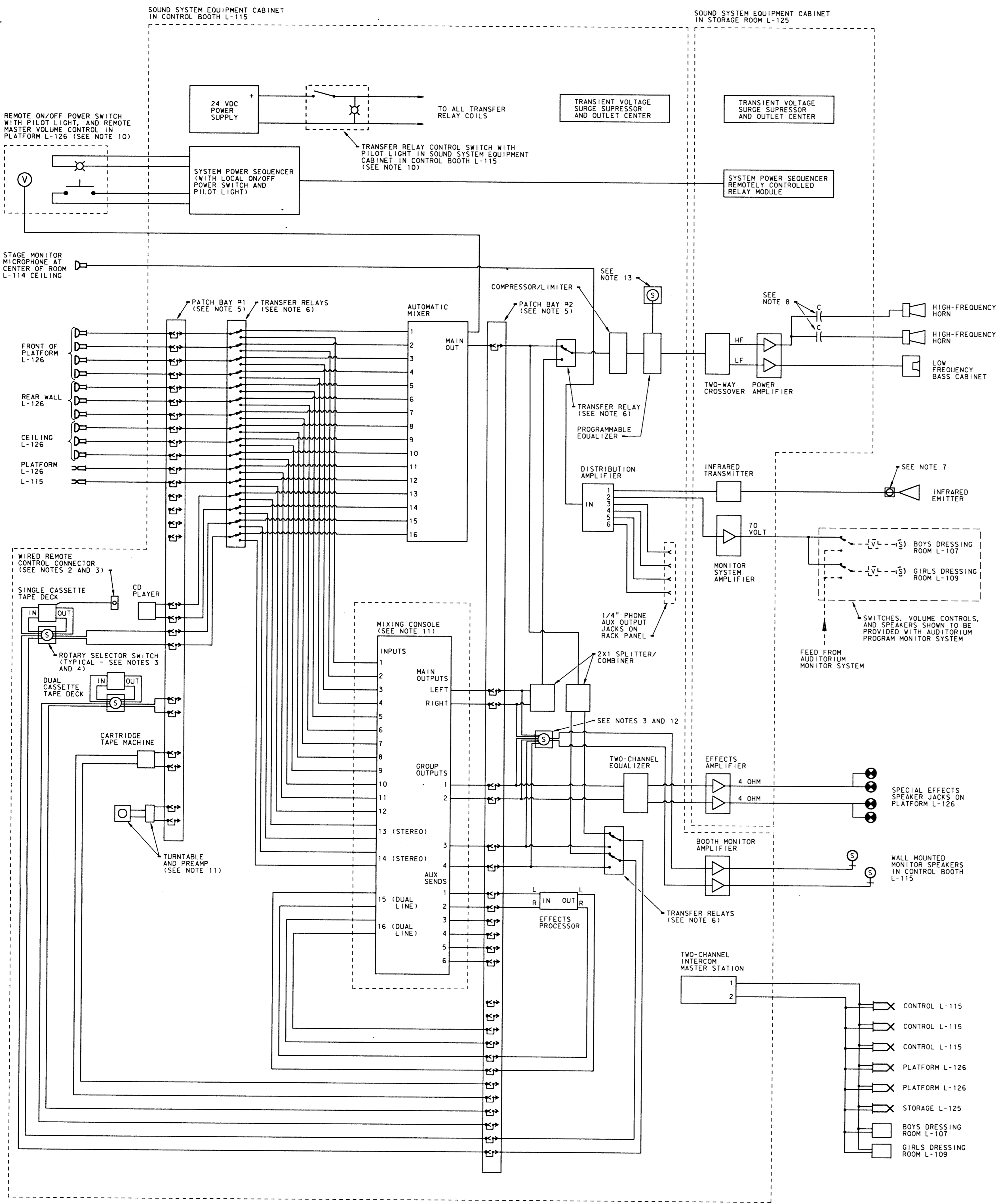
**VERETT I. BROWN Company**  
**Architects & Engineers**  
 950 NORTH MERIDIAN STREET  
 INDIANAPOLIS, INDIANA 46204  
 (317) 537-1000



PROJECT  
871-110

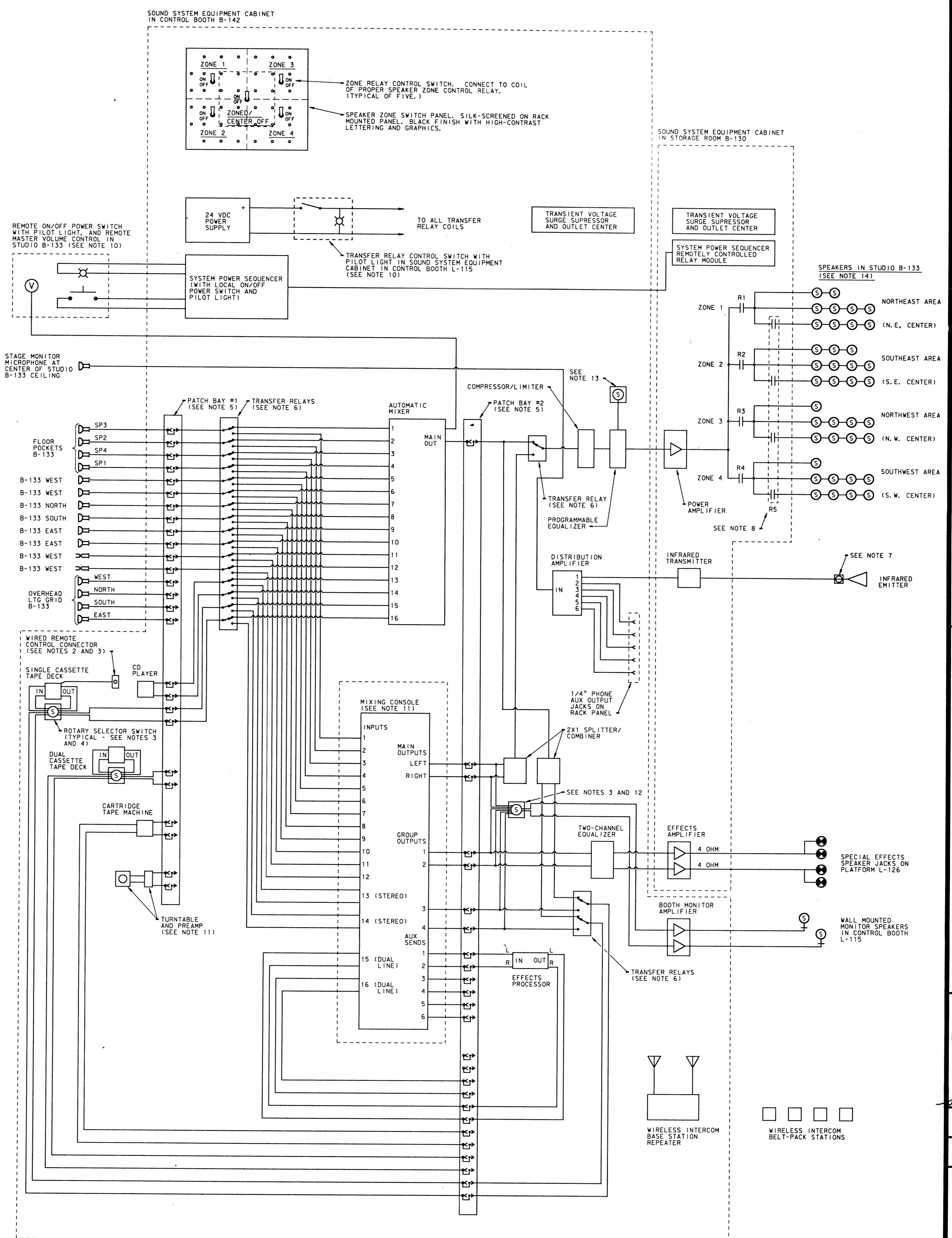
DATE  
NOV. 21, 1991

REVISED



**GROUP INSTRUCTION ROOM L-114 SOUND SYSTEM DISTRIBUTION DIAGRAM**  
NOT TO SCALE

- NOTES:**
- ALL MICROPHONE AND LINE LEVEL INPUTS AND OUTPUTS TO BE BALANCED LINES WHERE THEY ARE AVAILABLE AT EQUIPMENT CONNECTION POINTS.
  - LABEL "SINGLE CASSETTE REMOTE CONTROL".
  - MOUNT CASSETTE DECK SWITCHES, MONITOR SPEAKER SWITCH, AND WIRED REMOTE CONTROL CONNECTOR ON A BLANK PANEL ON FRONT OF EQUIPMENT CONSOLE.
  - TWO-POSITION, EIGHT-POLE ROTARY SWITCH. LABEL SWITCH POSITIONS "CASSETTE PLAY" AND "CASSETTE RECORD". "PLAY" POSITION TO CONNECT CASSETTE DECK OUTPUT TO MIXER INPUT. "RECORD" POSITION TO CONNECT MIXER OUTPUT TO CASSETTE DECK INPUT. LABEL SWITCH TO IDENTIFY TAPE DECK TO WHICH IT IS CONNECTED.
  - DOUBLE ROW, 26X2 PATCH BAY. INPUTS NORMALLED THROUGH. PROVIDE ONE RACK SPACE ABOVE AND BELOW.
  - DPDT INPUT TRANSFER RELAYS SHOWN IN DE-ENERGIZED POSITION (CONNECTED TO AUTOMATIC MIXER).
  - BNC PLUG AND JACK. 120 VAC POWER FOR EMITTER IS NOT TO BE SWITCHED.
  - PROTECTION CAPACITORS. VALUE TO BE SELECTED TO PROVIDE PROTECTION BELOW 500 HZ.
  - STUB 3/4" CONDUIT FROM SOUND EQUIPMENT CABINET IN CONTROL BOOTH L-115 TO THE BUILDING CABLE TRAY SYSTEM IN CORRIDORS FOR FUTURE AUDIO FEED TO VIDEO SYSTEM.
  - LABEL SWITCH POSITIONS WITH FUNCTIONAL DESCRIPTIONS.
  - ROUTE ALL CABLES TO AND FROM MIXING CONSOLE AND THE TURNTABLE THROUGH THE SOUND CONSOLE JUNCTION BOX BELOW COUNTER IN CONTROL BOOTH L-115. LOCATE THE MIXING CONSOLE AND THE TURNTABLE ON THE COUNTER IN CONTROL BOOTH L-115. SECURELY ATTACH THE MIXING CONSOLE TO THE COUNTER. VERIFY THE EXACT LOCATION OF THE CONSOLE WITH THE ARCHITECT.
  - THREE-POSITION, FOUR-POLE ROTARY SWITCH. LABEL SWITCH AS "MONITOR SPEAKER SOURCE SELECT". LABEL SWITCH POSITIONS "MAIN OUTPUT", "EFFECTS OUTPUT (GROUPS 1 & 2)", AND "RECORD OUTPUT (GROUPS 3 & 4)".
  - TWO-POSITION, TWO-POLE ROTARY SWITCH. LABEL SWITCH AS "EQUALIZATION CURVE SELECT". LABEL SWITCH POSITION NO. 1 AS "SPEECH CURVE" AND POSITION NO. 2 AS "MUSIC CURVE".



**STUDIO THEATER B-133 SOUND SYSTEM DISTRIBUTION DIAGRAM**  
NOT TO SCALE

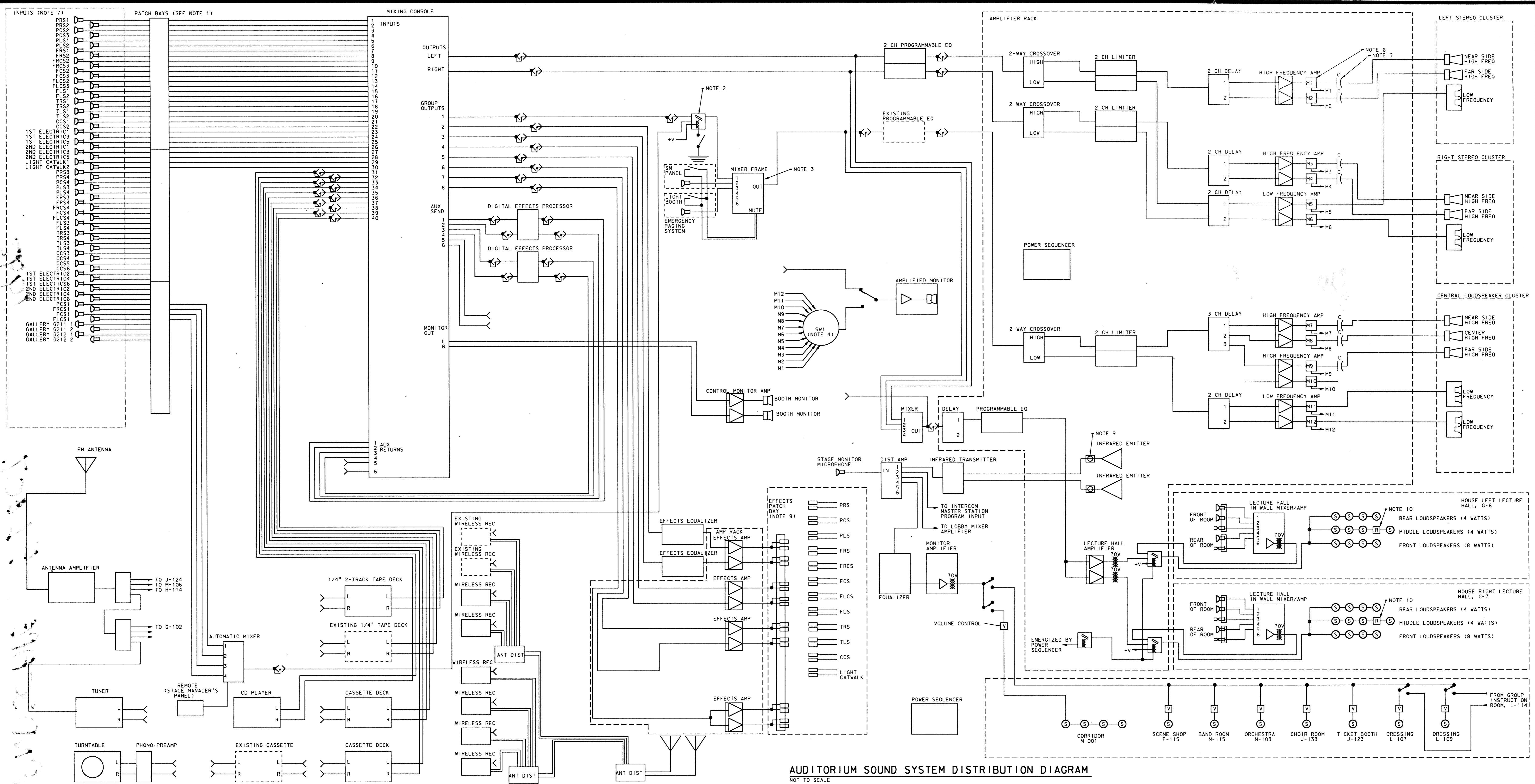
- NOTES:**
- ALL MICROPHONE AND LINE LEVEL INPUTS AND OUTPUTS TO BE BALANCED LINES WHERE THEY ARE AVAILABLE AT EQUIPMENT CONNECTION POINTS.
  - LABEL "SINGLE CASSETTE REMOTE CONTROL".
  - MOUNT CASSETTE DECK SWITCHES, MONITOR SPEAKER SWITCH, AND WIRED REMOTE CONTROL CONNECTOR ON A BLANK PANEL ON FRONT OF EQUIPMENT CONSOLE.
  - TWO-POSITION, EIGHT-POLE ROTARY SWITCH. LABEL SWITCH POSITIONS "CASSETTE PLAY" AND "CASSETTE RECORD". "PLAY" POSITION TO CONNECT CASSETTE DECK OUTPUT TO MIXER INPUT. "RECORD" POSITION TO CONNECT MIXER OUTPUT TO CASSETTE DECK INPUT. LABEL SWITCH TO IDENTIFY TAPE DECK TO WHICH IT IS CONNECTED.
  - DOUBLE ROW, 26X2 PATCH BAY. INPUTS NORMALLED THROUGH. PROVIDE ONE RACK SPACE ABOVE AND BELOW.
  - DPDT INPUT TRANSFER RELAYS SHOWN IN DE-ENERGIZED POSITION (CONNECTED TO AUTOMATIC MIXER).
  - BNC PLUG AND JACK. 120 VAC POWER FOR EMITTER IS NOT TO BE SWITCHED.
  - SPEAKER ZONE CONTROL RELAY CONTROLLED BY SWITCH ON SPEAKER ZONE SWITCH PANEL. TOTAL OF FIVE RELAYS (R1, R2, R3, R4 AND R5).
  - STUB 3/4" CONDUIT FROM SOUND EQUIPMENT CABINET IN CONTROL BOOTH L-115 TO THE BUILDING CABLE TRAY SYSTEM IN CORRIDORS FOR FUTURE AUDIO FEED TO VIDEO SYSTEM.
  - LABEL SWITCH POSITIONS WITH FUNCTIONAL DESCRIPTIONS.
  - ROUTE ALL CABLES TO AND FROM MIXING CONSOLE AND THE TURNTABLE THROUGH THE SOUND CONSOLE JUNCTION BOX BELOW COUNTER IN CONTROL BOOTH L-115. LOCATE THE MIXING CONSOLE AND THE TURNTABLE ON THE COUNTER IN CONTROL BOOTH L-115. SECURELY ATTACH THE MIXING CONSOLE TO THE COUNTER. VERIFY THE EXACT LOCATION OF THE CONSOLE WITH THE ARCHITECT.
  - THREE-POSITION, FOUR-POLE ROTARY SWITCH. LABEL SWITCH AS "MONITOR SPEAKER SOURCE SELECT". LABEL SWITCH POSITIONS "MAIN OUTPUT", "EFFECTS OUTPUT (GROUPS 1 & 2)", AND "RECORD OUTPUT (GROUPS 3 & 4)".
  - TWO-POSITION, TWO-POLE ROTARY SWITCH. LABEL SWITCH AS "EQUALIZATION CURVE SELECT". LABEL SWITCH POSITION NO. 1 AS "SPEECH CURVE" AND POSITION NO. 2 AS "MUSIC CURVE".
  - SET TRANSFORMER TAPS ON ALL CEILING SPEAKERS IN STUDIO B-133 AT 8 WATTS.

**CONTINUING ADDITION TO AND RENOVATION OF  
LAWRENCE CENTRAL HIGH SCHOOL**  
 for the METROPOLITAN SCHOOL DISTRICT of LAWRENCE TOWNSHIP  
 MARION COUNTY, INDIANA

**EVERETT L. BROWN Company**  
**Architects & Engineers**  
 950 NORTH MERIDIAN STREET  
 INDIANAPOLIS, INDIANA 46204  
 (317) 237-7000

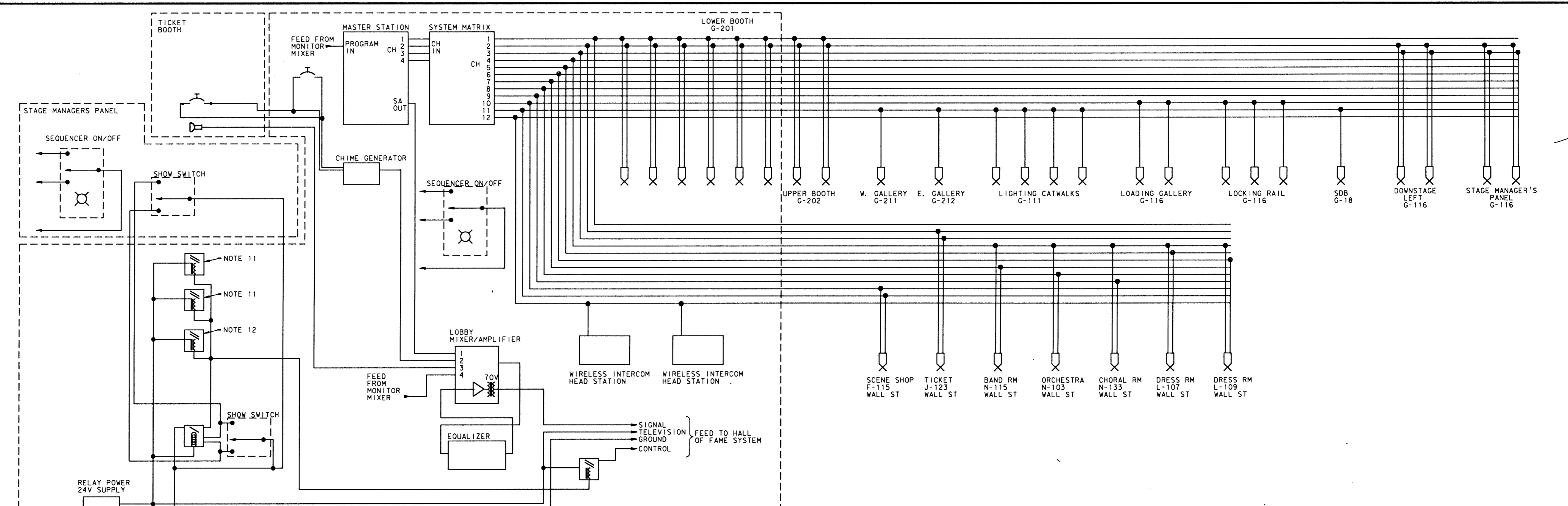


PROJECT 871-110  
 DATE NOV. 21, 1991  
 REVISED



**AUDITORIUM SOUND SYSTEM DISTRIBUTION DIAGRAM**  
NOT TO SCALE

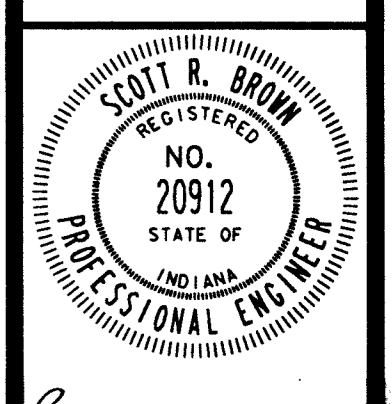
- NOTES:**
- 26 BY 2 PATCH BAY, INPUTS NORMALLED THROUGH. PROVIDE ONE BACK SPACE ABOVE AND BELOW.
  - AUTO-MIXER ENGAGE RELAY, SWITCH LOCATED DOWNSTAGE ADJACENT TO STAGE MANAGER'S PANEL. SWITCH TO ALSO TURN-ON POWER SEQUENCER.
  - MICROPHONE SWITCH TO ENGAGE MUTE FUNCTION. INPUT #1 TO BE MUTED.
  - TWELVE POSITION, TWO-POLE ROTARY SWITCH, SWITCH TO BE SET-UP SO SWITCH BALANCED LINE FROM AMPLIFIER MONITOR PADS. LABEL SWITCH POSITIONS WITH AMPLIFIER FUNCTIONAL DESCRIPTION.
  - PROTECTION CAPACITORS, AS DETAILED IN THE SPECIFICATIONS.
  - AMPLIFIER MONITOR PADS TO PROVIDE +4dB MAXIMUM BALANCED OUTPUT TO AMPLIFIED MONITOR.
  - INPUTS ARE CALLED OUT AS LOCATED IN STAGE POCKETS AND ON WALL MOUNTED PLATES. INDIVIDUAL JACKS ARE TO BE CONSECUTIVELY NUMBERED STARTING DOWNSTAGE RIGHT AND WORKING TO UPSTAGE LEFT, AND STARTING IN THE FRONT OF THE HOUSE AND WORKING TOWARDS THE REAR.
  - MONITOR LOCATIONS ARE CALLED OUT AS LOCATED IN STAGE POCKETS. INDIVIDUAL JACKS ARE TO BE CONSECUTIVELY NUMBERED STARTING DOWNSTAGE RIGHT AND WORKING TO UPSTAGE LEFT, AND STARTING IN THE FRONT OF THE HOUSE AND WORKING TOWARDS THE REAR.
  - BNC PLUG AND JACK. A.C. POWER FOR INFRARED EMITTERS ARE NOT TO BE SWITCHED BY POWER SEQUENCER.
  - TRANSFER RELAY CONTACTS, WHEN RELAY COIL IS NOT ENGAGED, SPEAKERS ARE TO BE CONNECTED TO SCHOOL INTERCOMMUNICATIONS SYSTEM. WHEN ENGAGED LOUDSPEAKERS ARE TO BE CONNECTED TO AUDITORIUM SOUND SYSTEM.
  - TRANSFER RELAYS SWITCHING SPEAKERS DETAILED IN NOTE 10 ABOVE.
  - SCHOOL INTERCOMMUNICATIONS SYSTEM SPEAKER DISCONNECT RELAY FOR AUDITORIUM, G-111.



**AUDITORIUM INTERCOM AND HALL OF FAME FEED DISTRIBUTION DIAGRAMS**  
NOT TO SCALE

**CONTINUING ADDITION TO AND RENOVATION OF**  
**LAWRENCE CENTRAL HIGH SCHOOL**  
 for the METROPOLITAN SCHOOL DISTRICT of LAWRENCE TOWNSHIP  
 MARION COUNTY, INDIANA

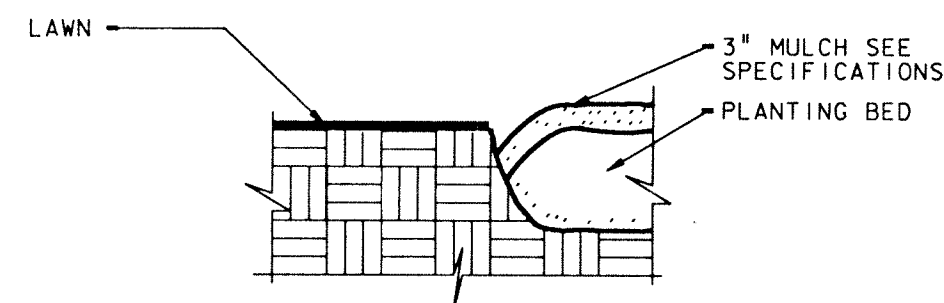
**EVERETT L. BROWN Company**  
**Architects & Engineers**  
 950 NORTH MERIDIAN STREET  
 INDIANAPOLIS, INDIANA 46204  
 (317) 231-1000



PROJECT  
871-110

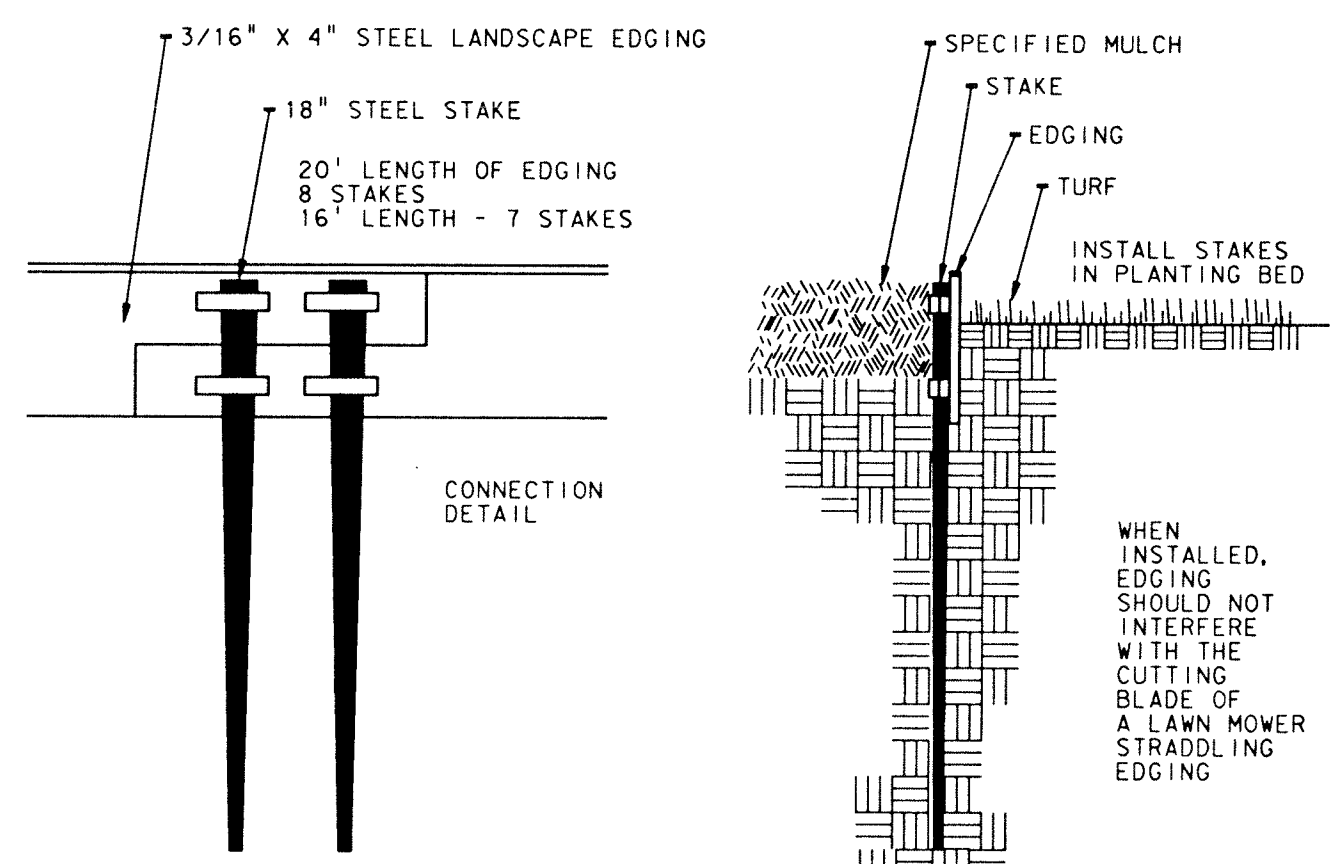
DATE  
NOV. 21, 1991

REVISED



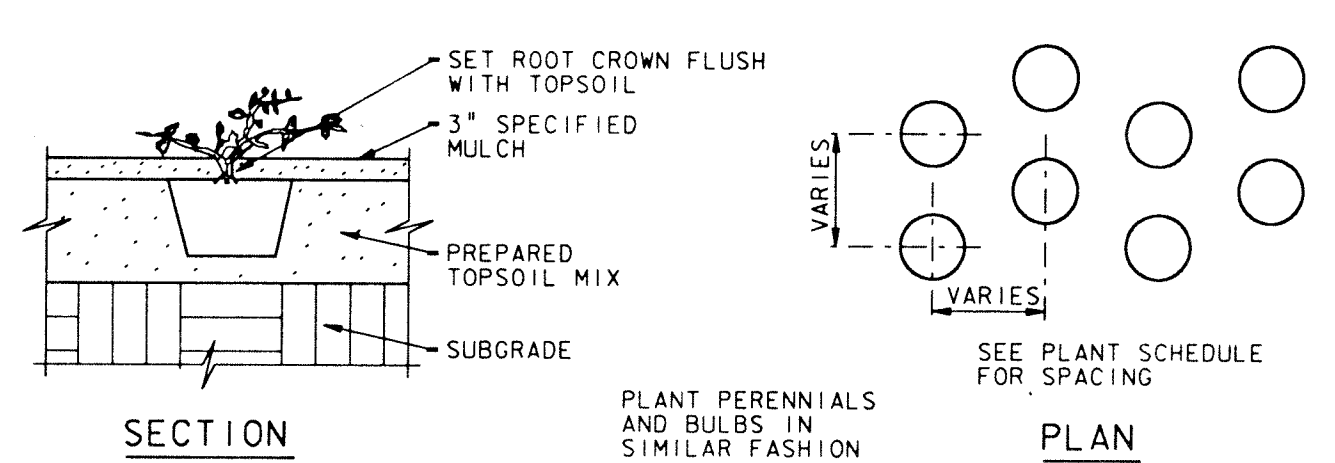
**MANICURED SOIL EDGING**  
NO SCALE

1  
L1-1



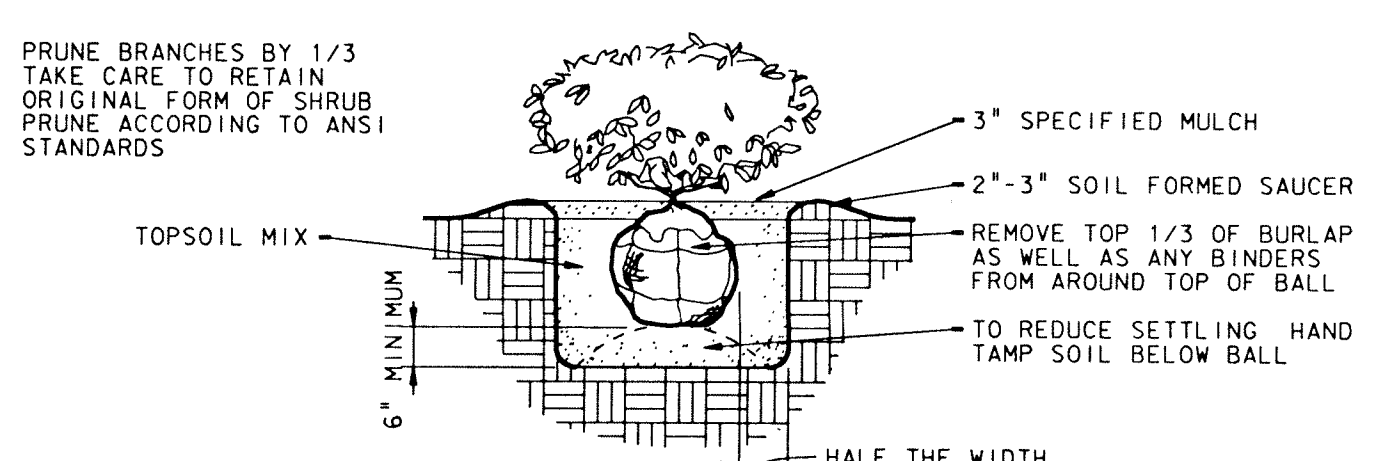
**STEEL EDGING**  
NOT TO SCALE

2  
L1-1



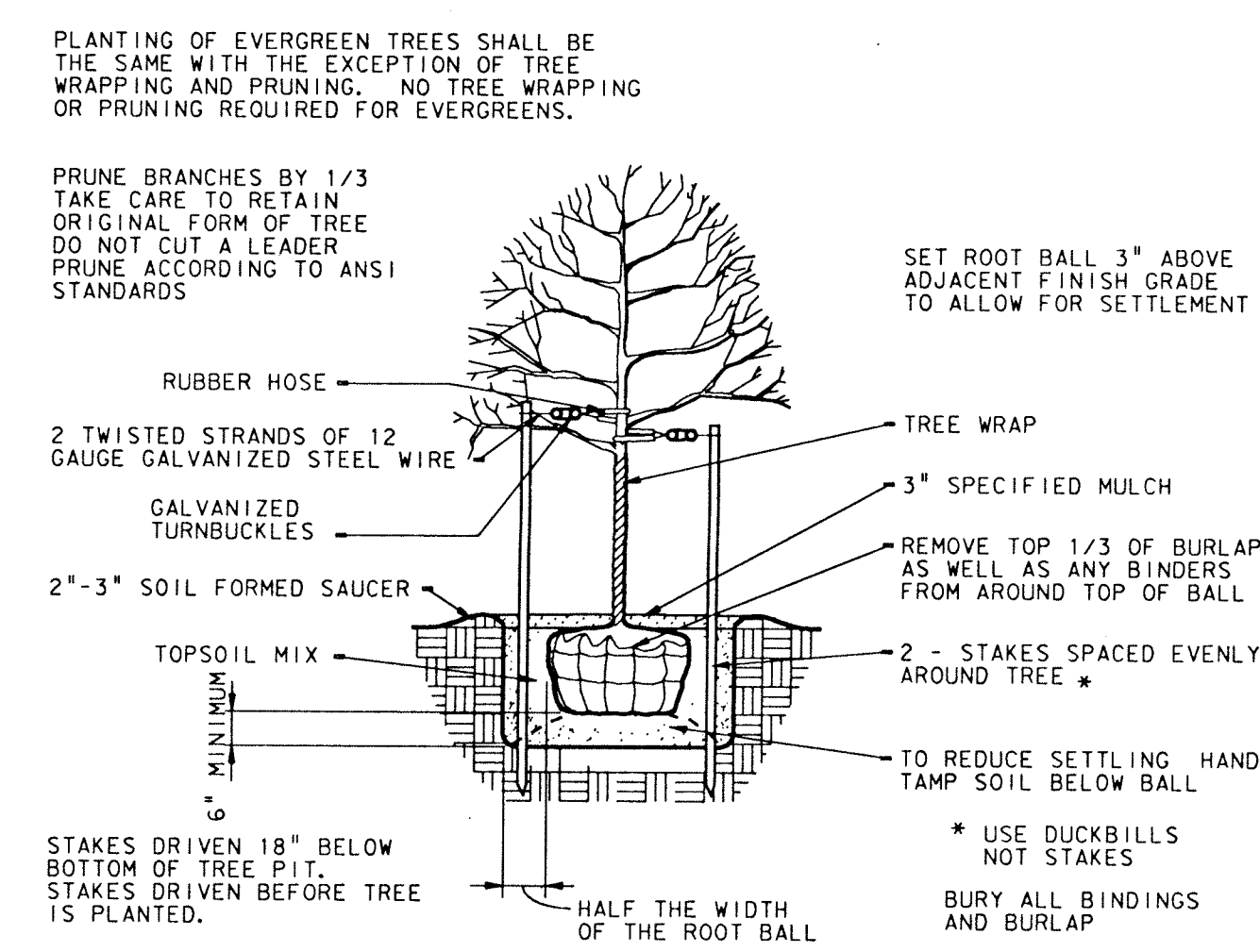
**GROUNDCOVER PLANTING**  
NO SCALE

3  
L1-1



**SHRUB PLANTING**  
NO SCALE

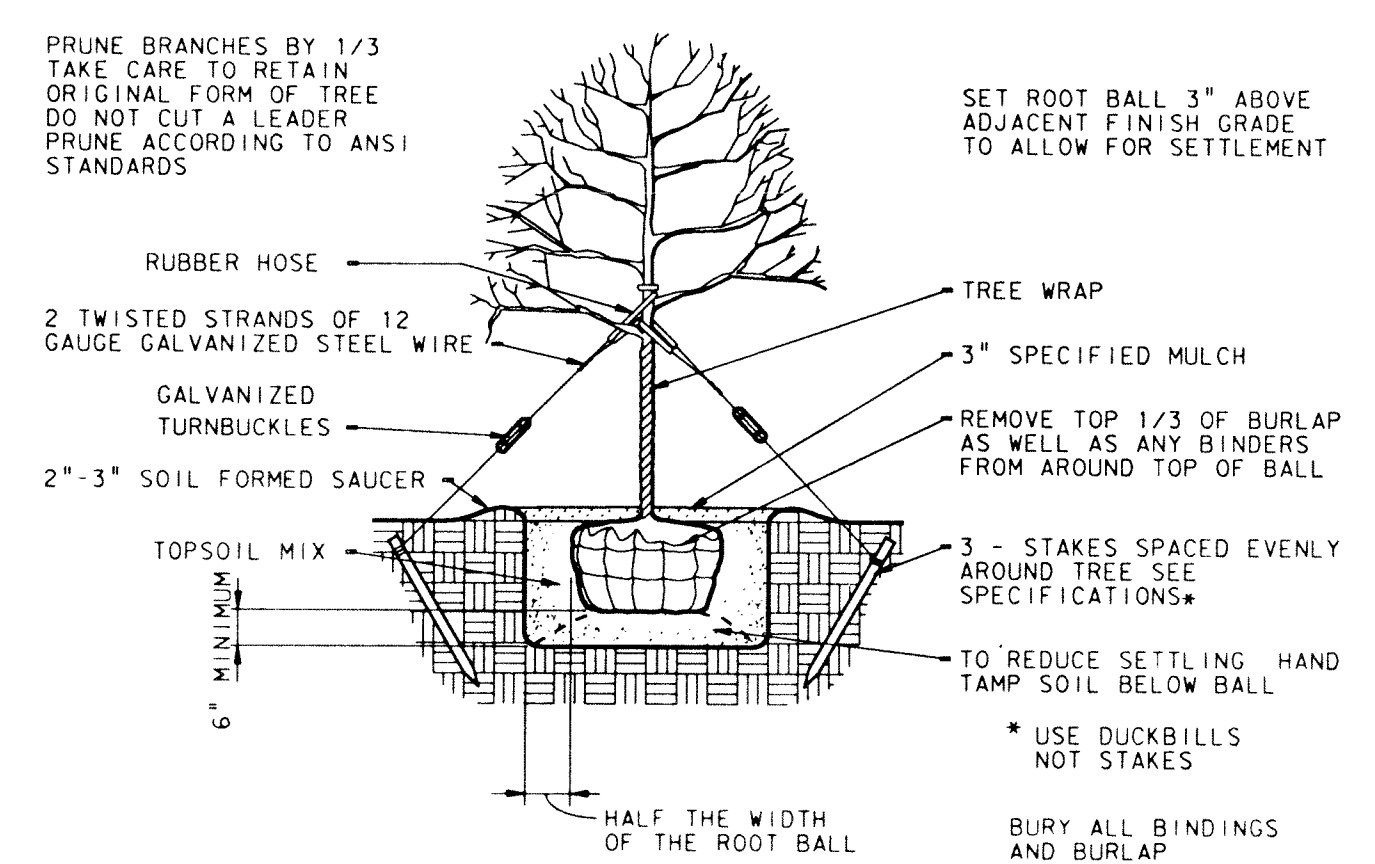
4  
L1-1



**TREE PLANTING AND GUYING - 2 1/2\"/>**

5  
L1-1

PLANTING OF EVERGREEN TREES SHALL BE THE SAME WITH THE EXCEPTION OF TREE WRAPPING AND PRUNING. NO TREE WRAPPING OR PRUNING REQUIRED FOR EVERGREENS.



**TREE PLANTING AND GUYING - 3+\"/>**

6  
L1-1

**GENERAL PLANTING NOTES:**

- 1 ALL PLANTS SHALL COMPLY WITH RECOMMENDATIONS AND REQUIREMENTS OF ANSI Z60.1 "AMERICAN STANDARD FOR NURSERY STOCK".
- 2 THE ARCHITECT MAY INSPECT PLANTS EITHER AT PLACE OF GROWTH OR AT SITE BEFORE PLANTING. ARCHITECT RETAINS THE RIGHT TO INSPECT PLANTS FOR COMPLIANCE WITH REQUIREMENTS FOR GENUS, SIZE AND QUALITY. STAKE TREES IMMEDIATELY. PLANT NO MORE TREES THAN THOSE WHICH WILL BE STAKED ON THE INSTALLATION DATE.
- 3 PLANTS SHALL BE WARENTED FOR A PERIOD OF 30 DAYS AFTER DATE OF COMPLETION AGAINST DEFECTS INCLUDING DEATH AND UNSATISFACTORY GROWTH.
- 4 TREES SHALL BE MAINTAINED UNTIL FINAL ACCEPTANCE BUT IN NO CASE LESS THAN 30 DAYS AFTER PLANTING. PRUNE, CULTIVATE AND WEED AS REQUIRED FOR HEALTHY GROWTH. RESTORE PLANTING SAUCERS, TIGHTEN AND REPAIR STAKE AND GUY SUPPORTS. RESET TREES TO PROPER GRADES OR VERTICAL POSITION AS REQUIRED.
- 5 PLANT BULBS AND PERENNIALS AS SHOWN IN DETAIL 3/L1-1.
- 6 TOPSOIL MIX: 1 PART PEAT MOSS 1 PART COMPOSTED COW MANURE 2 PARTS TOPSOIL.
- 7 DO NOT MIX SUBSOIL INTO THE TOPSOIL MIX. DISPOSE OF SUBSOIL IN LEGAL LANDFILL OFFSITE.
- 8 ALL WORK SHOWN ON SHEETS L1-1, L2-1 THROUGH L2-4 ARE A PART OF CONTRACT #48 UNLESS NOTED OTHERWISE.
- 9 BED PREPARATION FOR GROUND COVER, PERENNIALS, AND BULBS: EXCAVATE TO AN 8\"/>

**PLANT LIST**

PLANT	COMMON NAME	SIZE	CONDITION	REMARKS
Acer ginnala 'Flame'	Flame Amur Maple	1 1/2\"/>		

CONTINUING ADDITION TO AND RENOVATION OF  
**LAWRENCE CENTRAL HIGH SCHOOL**  
 for the METROPOLITAN SCHOOL DISTRICT of LAWRENCE TOWNSHIP  
 MARION COUNTY, INDIANA

**EVERETT BROWN** Company  
 Architects & Engineers  
 950 NORTH MERIDIAN STREET  
 INDIANAPOLIS, INDIANA 46204  
 (317) 257-7000



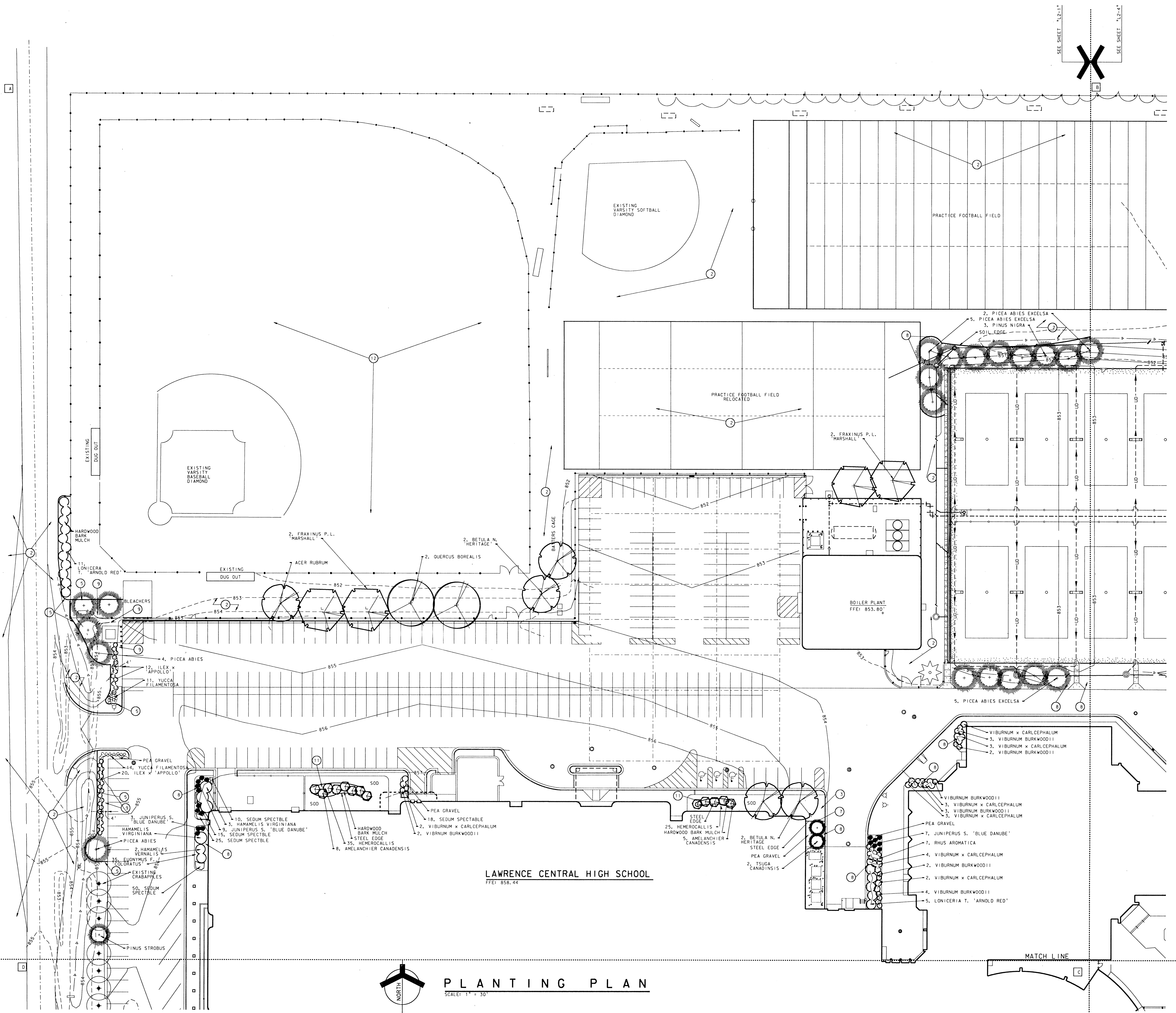
PROJECT  
871-110

DATE  
DEC. 18, 1989

REVISED

MAR. 21, 1991  
NOV. 21, 1991  
Appendix #1

- PLAN NOTES:
1. INSTALL PLANTS AS DETAILED ON SHEET "L2-1", SEED.
  2. SOO.
  3. ALL WORK ON THIS SHEET IS ENCLOSED BY DESIGNATORS A, B, C, ... D.
  4. MANICURED SOIL EDGE.
  5. RENOVATE EXISTING LAWN.
  6. STEEL EDGE.
  7. MULCH WITH 3" PEA GRAVEL.
  8. MULCH WITH 3" HARDWOOD BARK MULCH.
  9. ALL WORK SHOWN ON THIS SHEET IS A PART OF CONTRACT #48 UNLESS OTHERWISE NOTED.
  10. PLANT 35 NARCISSUS HERE.
  11. NO WORK IN THIS AREA.

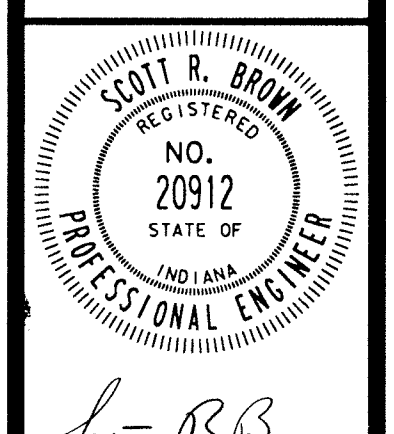


LAWRENCE CENTRAL HIGH SCHOOL  
FFE: 858.44

PLANTING PLAN  
SCALE: 1" = 30'

CONTINUING ADDITION TO and RENOVATION OF  
LAWRENCE CENTRAL HIGH SCHOOL  
for the METROPOLITAN SCHOOL DISTRICT of LAWRENCE TOWNSHIP  
MARION COUNTY, INDIANA

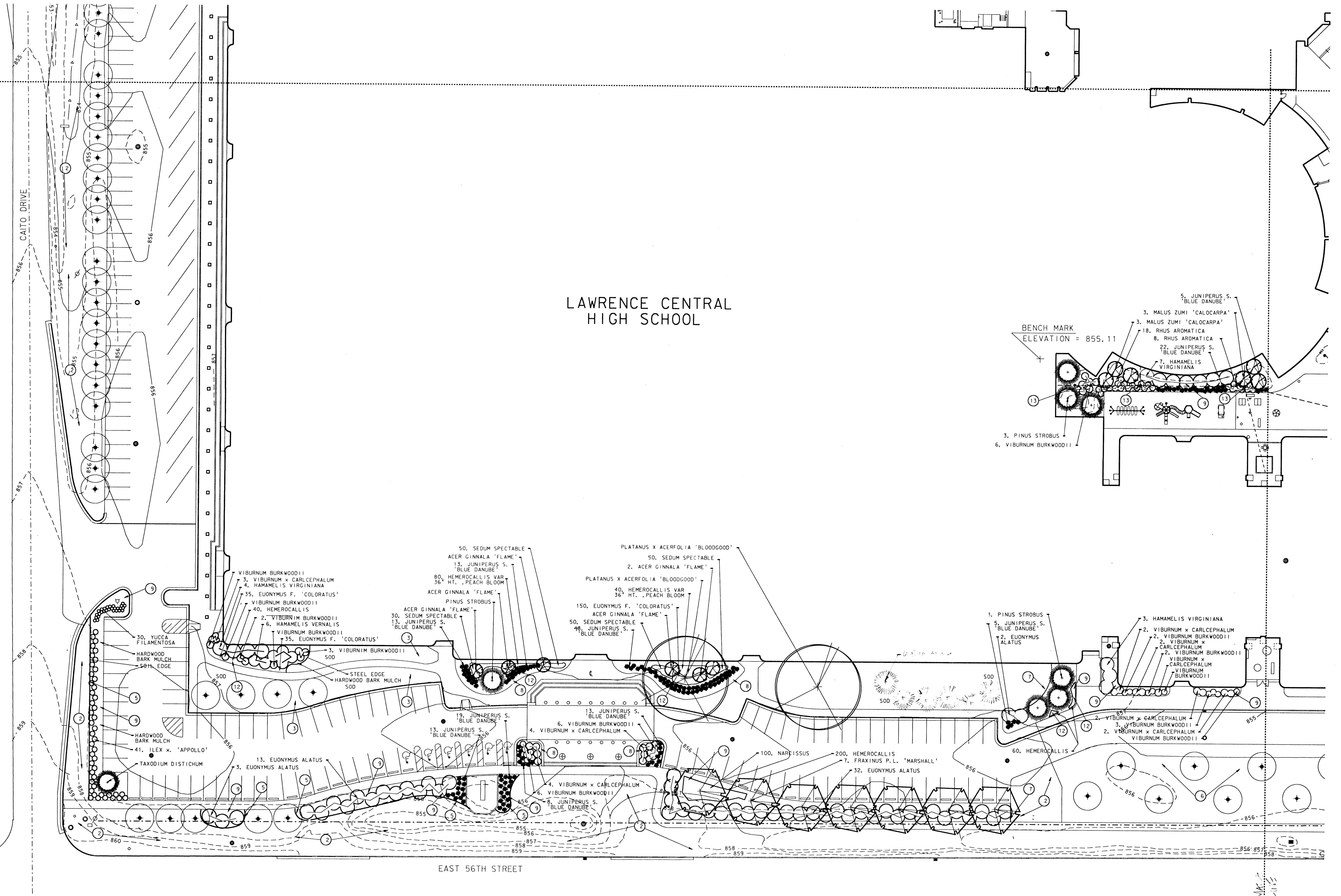
EVERETT I. Company  
E. Brown & Engineers  
Architects & Engineers  
950 NORTH MERIDIAN STREET  
INDIANAPOLIS, INDIANA 46204  
13174 23F-1000



PROJECT  
871-110  
DATE  
DEC. 18, 1989  
REVISED  
MAR. 21, 1991  
NOV. 21, 1991  
APPENDIX #1

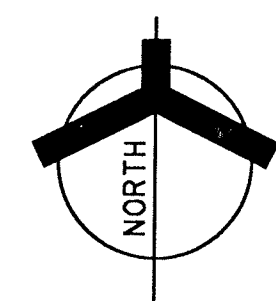
NO. L2-1  
OF

# LAWRENCE CENTRAL HIGH SCHOOL



## NOTES:

- |   |   |    |  |
|---|---|----|--|
| 1 | INSTALL PLANTS AS NOTED AND DETAILS ON SHEET L1-1.                  | 7  | STEEL EDGE   |
| 2 | SEED  | 8  | MULCH WITH 3" PEA GRAVEL.  |
| 3 | SOD   | 9  | MULCH WITH 3" HARDWOOD BARK MULCH.   |
| 4 | ALL WORK IN THIS SHEET IS ENCLOSED BY DESIGNATORS A, B, C, . . . D. | 10 | ALL WORK SHOWN ON THIS SHEET IS A PART OF CONTRACT #48 UNLESS OTHERWISE NOTED.               |
| 5 | MANICURED SOIL EDGE.  | 11 | LAY FILTER FABRIC OVER CATCH BASIN. FIRMLY PIN FABRIC TO GROUND. OVERLAP RIM BY 12" MINIMUM. |
|   |   | 12 | PLANT 50 NARCISSUS HERE.   |
|   |   | 13 | COVER CATCH BASIN WITH FILTER FABRIC.  |

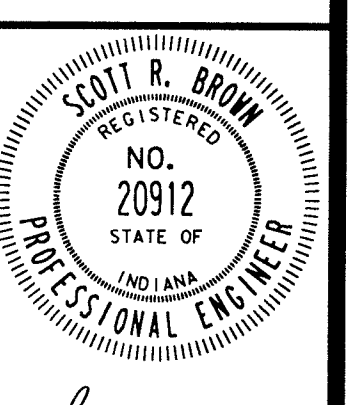


## PLANTING PLAN

SCALE: 1" = 30'

CONTINUING ADDITION TO and RENOVATION OF  
**LAWRENCE CENTRAL HIGH SCHOOL**  
 for the METROPOLITAN SCHOOL DISTRICT of LAWRENCE TOWNSHIP  
 MARION COUNTY, INDIANA

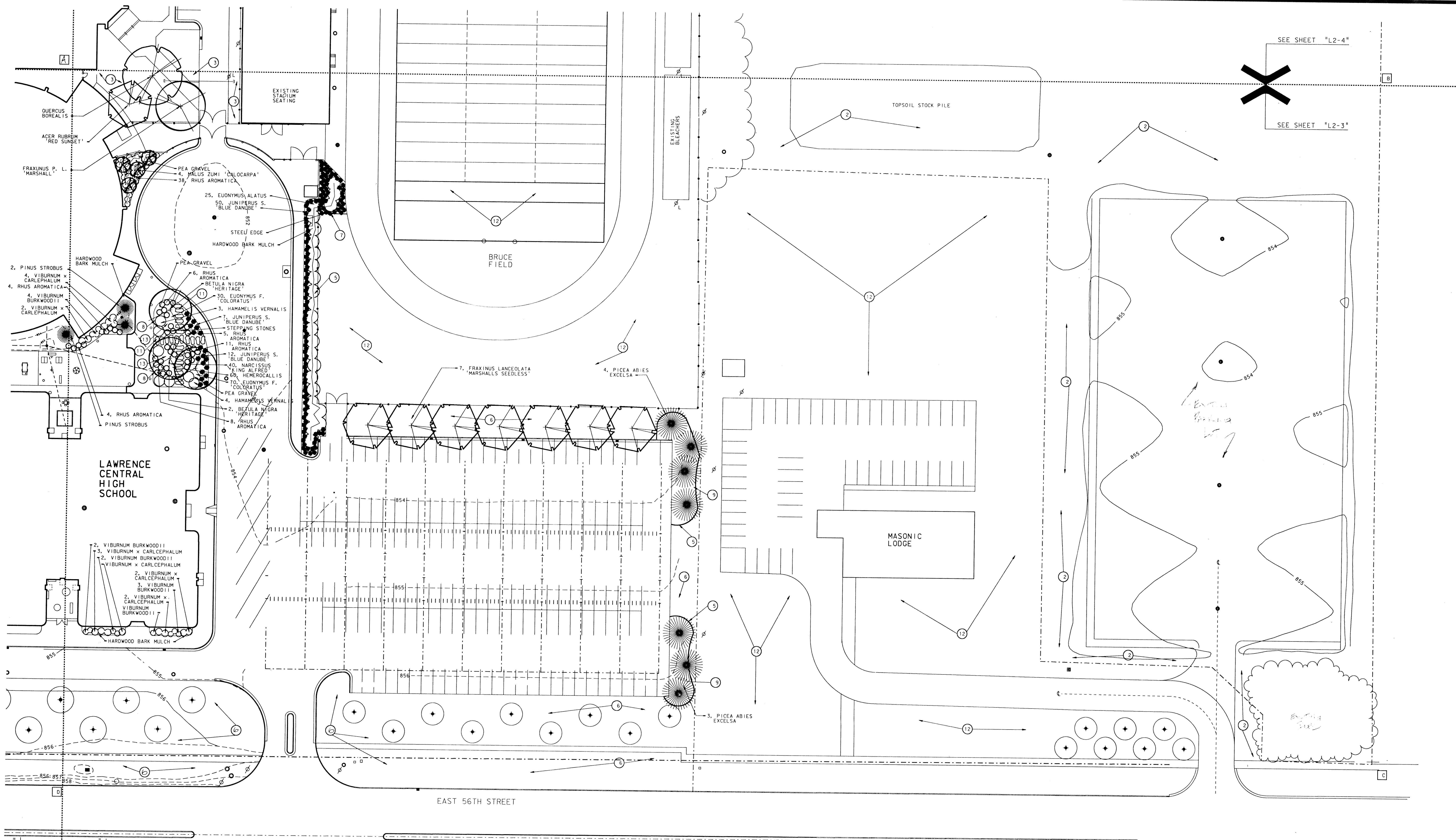
**EVERETT I. BROWN Company**  
**EPBROWN**  
 Architects & Engineers  
 950 NORTH MERIDIAN STREET  
 INDIANAPOLIS, INDIANA 46204  
 (317) 237-1000



PROJECT  
 871-110  
 DATE  
 DEC. 18, 1989  
 REVISED

MAR. 21, 1991  
 NOV. 21, 1991  
 APPENDUM #1

NO. L2-2  
 OF

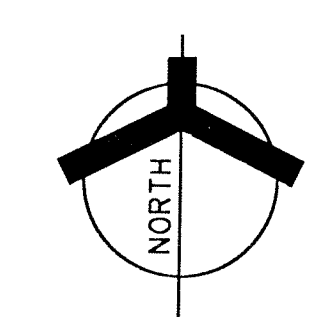


SEE SHEET "L2-4"  
 SEE SHEET "L2-3"

SEE SHEET "L2-2"  
 SEE SHEET "L2-3"

**NOTES:**

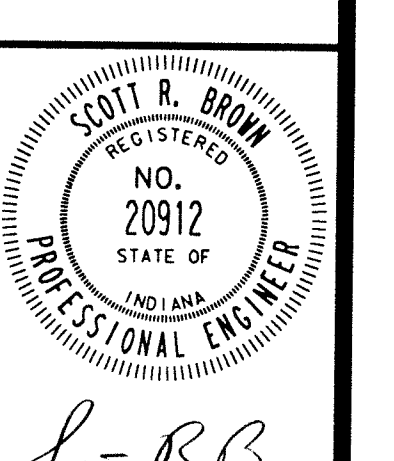
- ① INSTALL PLANTS AS DETAILED ON SHEET L1-1.
- ② SEED
- ③ SOD
- ④ ALL WORK ON THIS SHEET IS ENCLOSED BY DESIGNATORS A, B, C, ... D.
- ⑤ MANICURED SOIL EDGE
- ⑥ RENOVATE EXISTING LAWN
- ⑦ STEEL EDGE
- ⑧ MULCH WITH 3" PEA GRAVEL
- ⑨ MULCH WITH 3" HARDWOOD BARK
- ⑩ ALL WORK SHOWN ON THIS SHEET IS A PART OF CONTRACT #88 UNLESS NOTED OTHERWISE.
- ⑪ STEPPING STONES
- ⑫ NO WORK IN THIS AREA
- ⑬ PLANT 35 NARCISSEUS HERE



**PLANTING PLAN**  
 SCALE: 1" = 30'

CONTINUING ADDITION TO and RENOVATION OF  
**LAWRENCE CENTRAL HIGH SCHOOL**  
 for the METROPOLITAN SCHOOL DISTRICT of LAWRENCE TOWNSHIP  
 MARION COUNTY, INDIANA

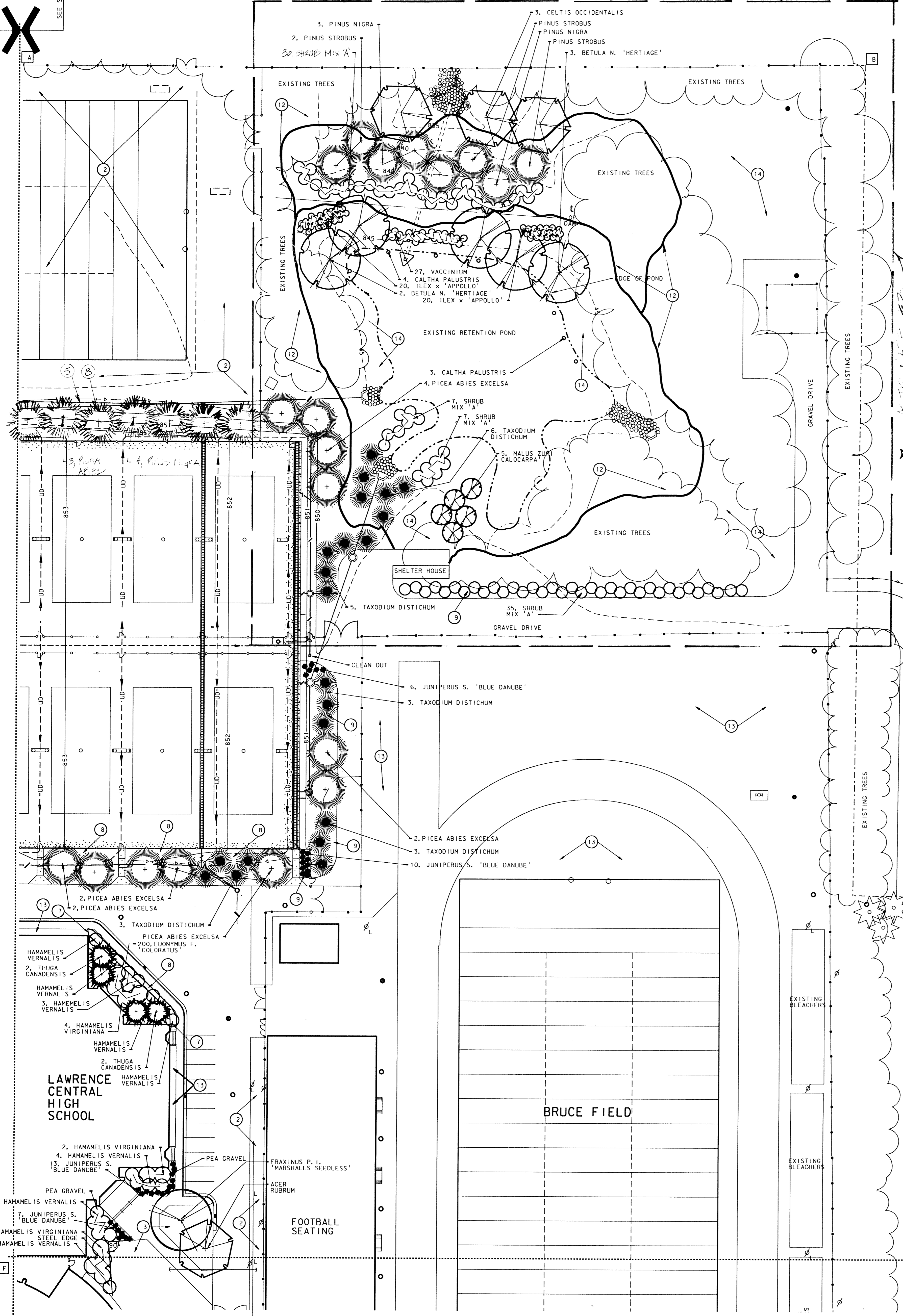
**EVERETT I. BROWN Company**  
**Ed Brown**  
 Architects & Engineers  
 950 NORTH WELLSIAN STREET  
 INDIANAPOLIS, INDIANA 46204  
 (317) 237-7000



PROJECT 871-110  
 DATE DEC. 18, 1989  
 REVISED  
 MAR. 21, 1991  
 NOV. 21, 1991  
 ADDENDUM #1

SEE SHEET "L2-1"  
SEE SHEET "L2-4"

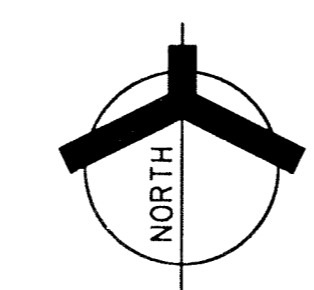
ALTERNATE #3



NOTES:

1. INSTALL PLANTS AS DETAILED ON SHEET L1-1.
2. SEED
3. SOD
4. ALL WORK ON THIS SHEET IS ENCLOSED BY WORK LIMIT DESIGNATORS A, B, C, ... F.
5. MANICURED SOIL EDGE
6. RENOVATE EXISTING LAWN
7. STEEL EDGE
8. MULCH WITH 3" PEA GRAVEL
9. MULCH WITH 3" HARDWOOD BARK
10. ALL WORK SHOWN ON THIS SHEET IS A PART OF CONTRACT #48 UNLESS OTHERWISE NOTED.
11. SHRUB MIX "A" CONSISTS OF A 1:1:1:1 BLEND OF:  
VACCINIUM  
CORNUS RACEMOSA  
LONICERA T. 'ARNOLD RED'  
VIBURNUM DILATATUM  
PLANT IN A RANDOM ORDER, IN STAGGERED ROWS, 8' O.C.
12. NATURE TRAIL PATH: "B" GRADE HARDWOOD BARK MULCH. COORDINATE INSTALLATION WITH THE OWNER AND THE ARCHITECT. PATH TO BE 6" DEEP AND 3" WIDE.
13. NO WORK IN THIS AREA.
14. SEED WITH "NO MOW" MIX AROUND RETENTION POND AND IN THE AREA ENCLOSED TO THE POND BY THE FENCE. SEED ALL DISTURBED AREA.

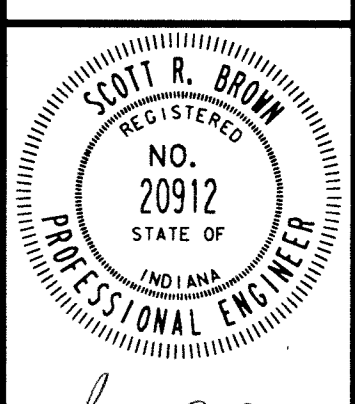
PLANTING PLAN  
SCALE: 1" = 30'



SEE SHEET "L2-4"  
SEE SHEET "L2-3"

CONTINUING ADDITION TO and RENOVATION OF  
**LAWRENCE CENTRAL HIGH SCHOOL**  
for the METROPOLITAN SCHOOL DISTRICT of LAWRENCE TOWNSHIP  
MARION COUNTY, INDIANA

**EVERETT L. BROWN Company**  
**EDDROWN**  
Architects & Engineers  
365 NORTH MERIDIAN STREET  
350 ANAPOLIS, INDIANA 46204  
(317) 237-7000



PROJECT  
871-110  
DATE  
DEC. 18, 1989  
REVISED  
MAR. 21, 1991  
NOV. 21, 1991  
ADDENDUM #1

NO. L2-4  
OF