

**ADDENDUM
NO. 4**

April 10, 2026

**Edgewood Schools Baseball and Softball Turf
601 Edgewood Drive
Ellettsville, IN 47429**

TO: ALL BIDDERS OF RECORD

This Addendum forms a part of and modifies the Bidding Requirements, Contract Forms, Contract Conditions, the Specifications and the Drawings dated March 18, 2026, by Lancer Associates Architecture. Acknowledge receipt of the Addendum in the space provided on the Bid Form. Failure to do so may subject the Bidder to disqualification.

This Addendum consists of Pages ADD 4-1 and Lancer Associates Architecture Addendum No. 02 which consist of 3 pages and two drawing sheets.

ADDENDUM NO. TWO

PROJECT: Edgewood Schools – Baseball/Softball Turf
PROJECT NUMBER: 26101
DATE OF ADDENDUM: 04-10-2026



THIS ADDENDUM FORMS A PART OF THE CONTRACT DOCUMENTS AND IS ISSUED IN ACCORDANCE WITH THE INSTRUCTIONS TO BIDDERS. ACKNOWLEDGE RECEIPT OF THIS ADDENDUM BY SIGNING THE ADDENDUM ACKNOWLEDGMENT SECTION OF THE BID FORM.

Specifications:

1. Section 32 18 14 Synthetic Turf 1.5 Warranty.
Replace with the following:
 - 2.10 WARRANTY
 - A. The warranty shall meet the following.
 1. Must provide full field cross section, synthetic turf system, aggregate base, and drainage, coverage for fully insured 8-year warranty policy from the date of Substantial Completion, non-prorated, and be in force at the time of the bid.
 2. Must warrant materials and workmanship
 3. Must warrant that the materials installed meet or exceed the product specifications

- 4. Must warrant repair and/or replacement of such portions of the installed materials that are no longer serviceable to maintain a playable surface
 - 5. Must warrant general wear and damage caused from UV degradation.
 - 6. Must be a warranty from a single source covering workmanship and all manufactured or procured materials
 - 7. Must not be limited to the amount of annual usage
 - 8. Installer must include an annual review and report during the warranty period
-
- 2. Section 32 33 00 1.2.E
 - a. Change to "Delegated Design: Provide Delegated Design as described in 2.7/C. and 2.8 / C. Design shall include
 - b. Netting System and any existing components intended to provide structural support."
 - 3.
 - 4. Section 32 33 00 2.8 Baseball Backstop In-Line Netting System
 - a. Change title to Baseball Backstop Tie-Back Netting System
 - 5. Section 32 33 00 2.9 Backstop Wall Padding A. Replace with the following:
 - A. Install full length and height along the concrete and masonry walls at softball and baseball backstops. Padding must start no higher than 1' from the ground and extend to the top of the wall.
 - 6. Section 32 33 00
 - Add the following:
 - 2.10 Baseball Wall Padding
 - A. Location: Install full length of wall along the baseball outfield and sideline stepped concrete wall. Padding must start no higher than 1' from the ground and extend to the top of the wall.
 - B. 3" polyurethane foam, 18oz coated polyester fabric covering, 5/8" outdoor plywood backing, Z-channel attachment
 - C. Color: Red
 - D. Manufacturer. Custom Net Backstops or approved equal
 - a. Korbin Cruea, korbin@customnetbackstops.com, 765.661.6009

ADDITIONAL APPROVED MANUFACTURERS:

1. Section 32 18 14 Synthetic Turf
 - a. FieldTurf
2. Section 32 33 00 2.7 Tie Back Netting System
 - a. USS
3. Section 32 33 00 2.9 Backstop Wall Padding
 - a. USS
4. Section 32 33 00 2.10 Baseball Outfield Wall Padding
 - a. USS

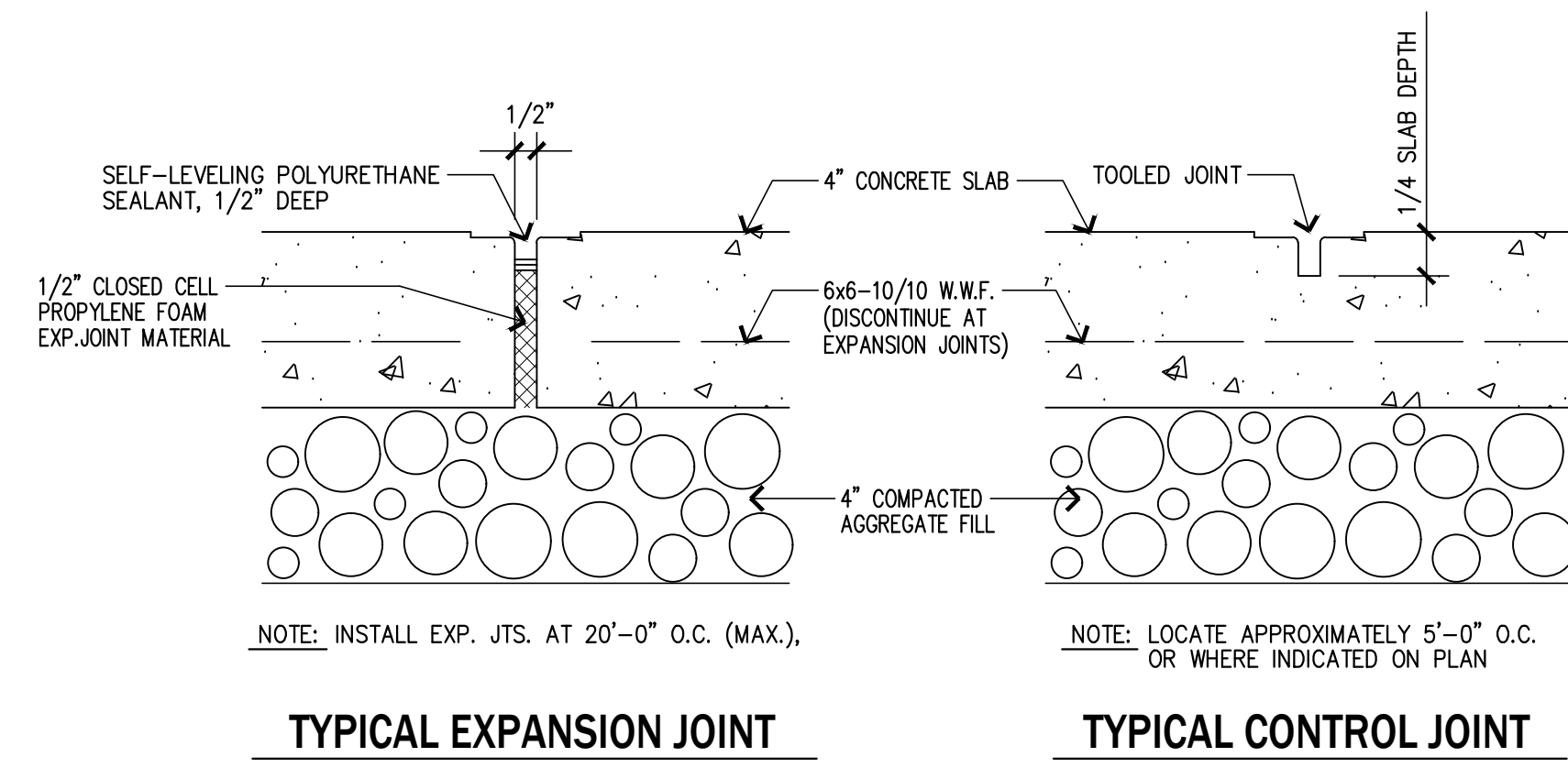
ADDITIONAL INFORMATION

1. Baseball Field backstop drawings from previous project for reference only.
 - a. Sheet AB101: Baseball Field Site Plan, Enlarged Partial Site Plan & Details, dated July 2018
 - b. Sheet AB102: Backstop Plan, Elevation & Details, Dugout Plan, Section & Details, dated July 2018

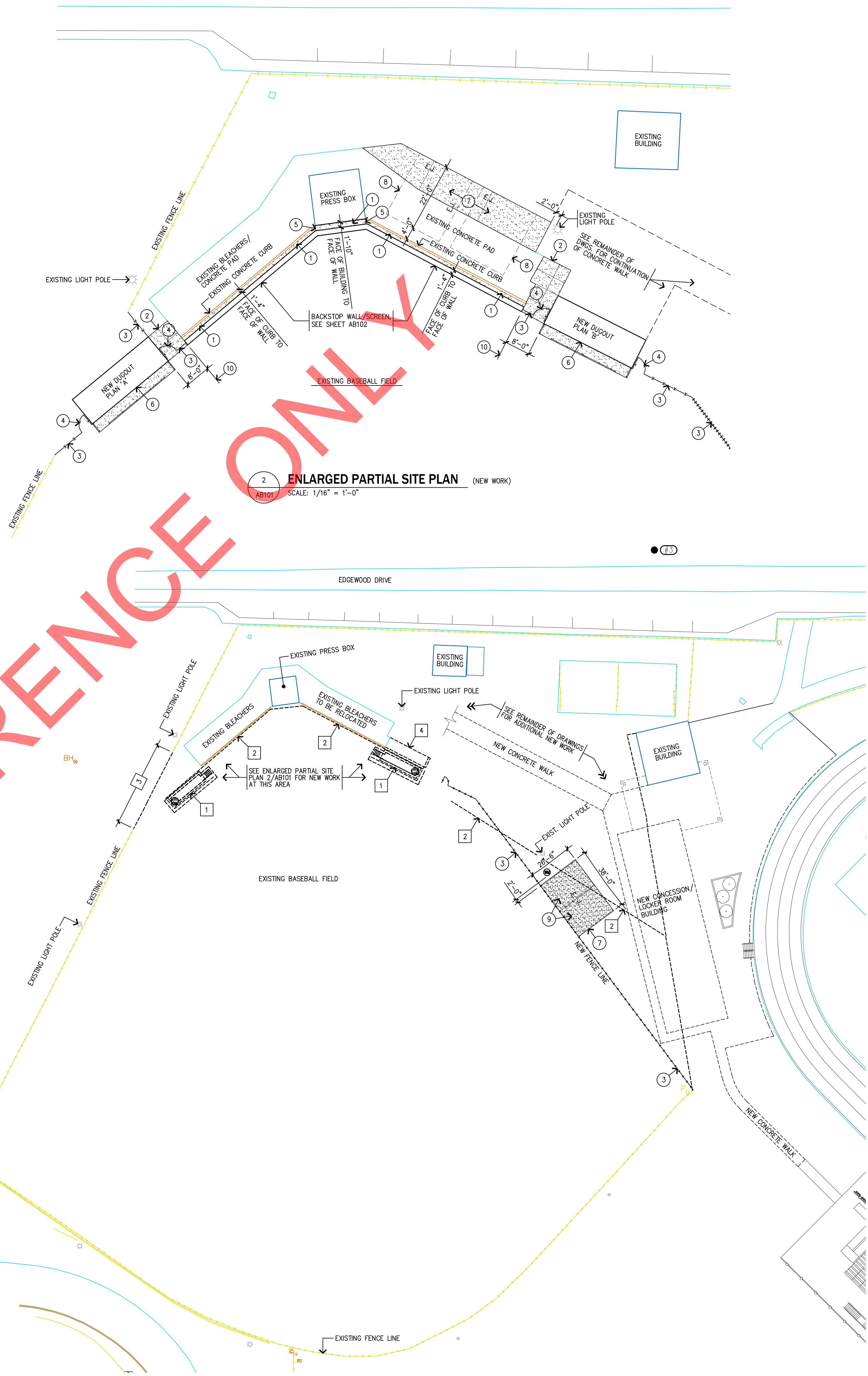
Attachments:

None: Reference drawings from previous project AB101, AB102

END OF ADDENDUM NO. TWO



3 CONCRETE WALK DETAILS
AB101 SCALE: 3" = 1'-0"

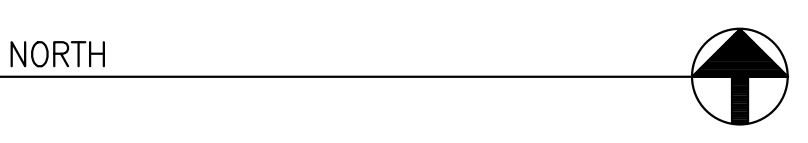


FOR REFERENCE ONLY

- SITE PLAN GENERAL NOTES:**
1. ANY EXISTING CONDITIONS DISTURBED DURING CONSTRUCTION SHALL BE REPAIRED TO ORIGINAL CONDITION.
 2. ALL ROADWAYS SHALL BE KEPT CLEAN & FREE OF MUD, DIRT, ETC. AT ALL TIMES & SHALL BE RETURNED TO ORIGINAL CONDITION AT COMPLETION OF PROJECT.
 3. ANY RUTS LEFT BY EQUIPMENT SHALL BE PROPERLY FILLED, LEVELED, SEEDED & STRAWED TO MEET OWNER'S APPROVAL.
 4. WHERE EXISTING DUGOUTS & FENCE POSTS ARE REMOVED, THOSE AREAS SHALL BE PROPERLY FILLED, LEVELED, ETC. TO MEET OWNER'S APPROVAL & IN PREPARATION TO RECEIVE NEW WORK.
 5. REFER TO SHEET AB102 FOR DUGOUT PLANS, SECTION & DETAILS & BACKSTOP PLAN, ELEVATION & DETAILS.

- SITE PLAN REFERENCE NOTES:**
- 1 AREA BETWEEN EXISTING CONCRETE CURB & NEW BACKSTOP WALL SHALL RECEIVE 4" CONCRETE SLAB w/6x6-10/10 W.W.F. ON VAPOR BARRIER ON 4" GRAVEL FILL. PROVIDE EXPANSION JOINTS AT 20'-0" O.C. (MAX.) & WHERE CONCRETE ABUTS CURB & WALL. (ALSO OCCURS BETWEEN EXISTING PRESS BOX & NEW BACKSTOP WALL).
 - 2 INDICATES NEW CONCRETE WALK, 4" CONCRETE SLAB w/ 6x6-10/10 W.W.F. ON VAPOR BARRIER ON 4" GRAVEL FILL w/ TOOLED JOINTS AS INDICATED.
 - 3 INDICATES NEW CHAINLINK FENCING & POSTS, MATCH TYPE & HEIGHT OF EXISTING ADJACENT FENCE.
 - 4 INDICATES NEW 4'-0" WIDE CHAINLINK GATE, MATCH HEIGHT OF ADJACENT FENCE.
 - 5 INDICATES SECTION OF NEW CHAINLINK FENCING & POSTS BETWEEN PRESS BOX & BACKSTOP WALL MATCH TYPE & HEIGHT OF EXISTING FIELD FENCING.
 - 6 ALIGN FACE OF NEW DUGOUT WITH FACE OF NEW BACKSTOP WALL.
 - 7 INDICATES NEW CONCRETE BLEACHER PAD, 6" CONCRETE SLAB w/6x6-6/6 W.W.F. ON VAPOR BARRIER ON 6" GRAVEL FILL.
 - 8 INDICATES OWNER PROVIDED EXISTING BLEACHERS TO BE RELOCATED AS SHOWN (2 SECTIONS @ 19'-0" WIDE EACH). CURRENT EXISTING BLEACHERS AT THIS LOCATION SHALL BE RELOCATED TO SOFTBALL FIELD AS DIRECTED BY OWNER.
 - 9 INDICATES OWNER PROVIDED EXISTING BLEACHERS TO BE RELOCATED AS SHOWN (2 SECTIONS @ 18'-0" WIDE EACH). VERIFY CONCRETE PAD SIZE REQUIRED.
 - 10 ALIGN EDGE OF NEW BACKSTOP WALL WITH EDGE OF EXISTING CONCRETE PAD/CURB.

- SITE DEMOLITION NOTES:**
- 1 REMOVE EXISTING DUGOUT CONSTRUCTION IN ITS ENTIRETY, INCLUDING ALL ROOF & WALL CONSTRUCTION, SLABS & FOOTINGS. ALSO REMOVE EXISTING FLOOR DRAIN & CAP EXISTING DRAINAGE LINE WHICH SHALL REMAIN.
 - 2 REMOVE EXISTING FENCING, POSTS & FOOTINGS.
 - 3 REMOVE PORTION OF EXISTING FENCING, POSTS & FOOTINGS.
 - 4 REMOVE PORTION OF EXISTING CONCRETE WALK.



VPS ARCHITECTURE
528 Main Street - Suite 400 Evansville Indiana 47708
P (812) 423-7729 F (812) 425-4561
www.VPSARCH.com

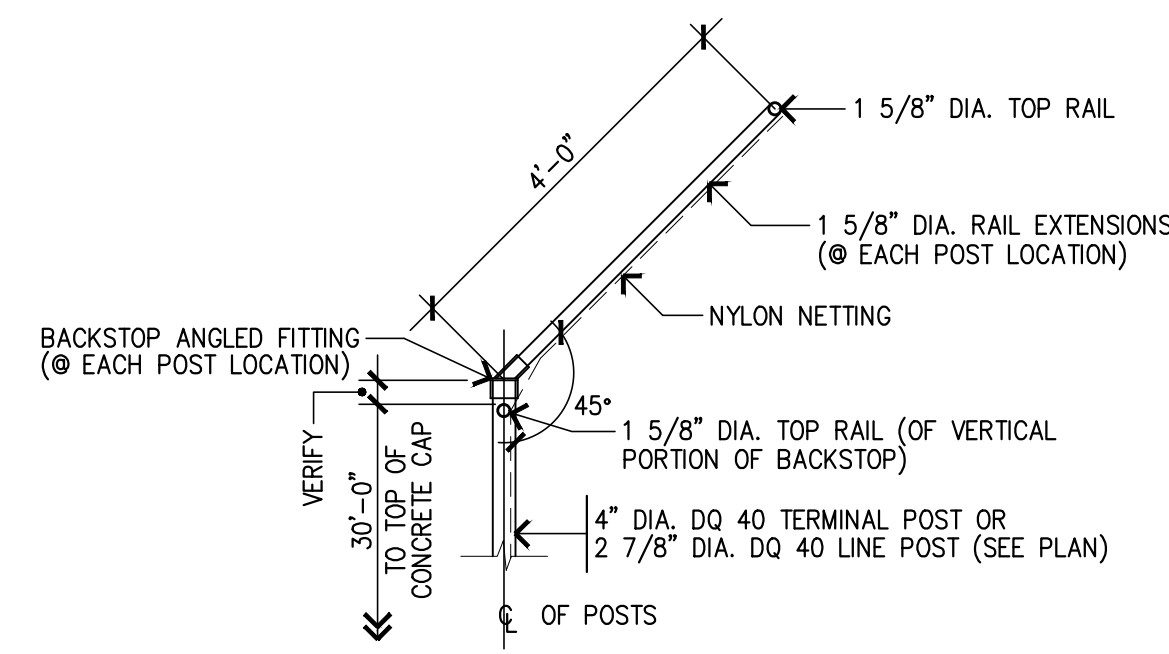
DUGOUTS/BACKSTOP

EDGEWOOD HIGH SCHOOL

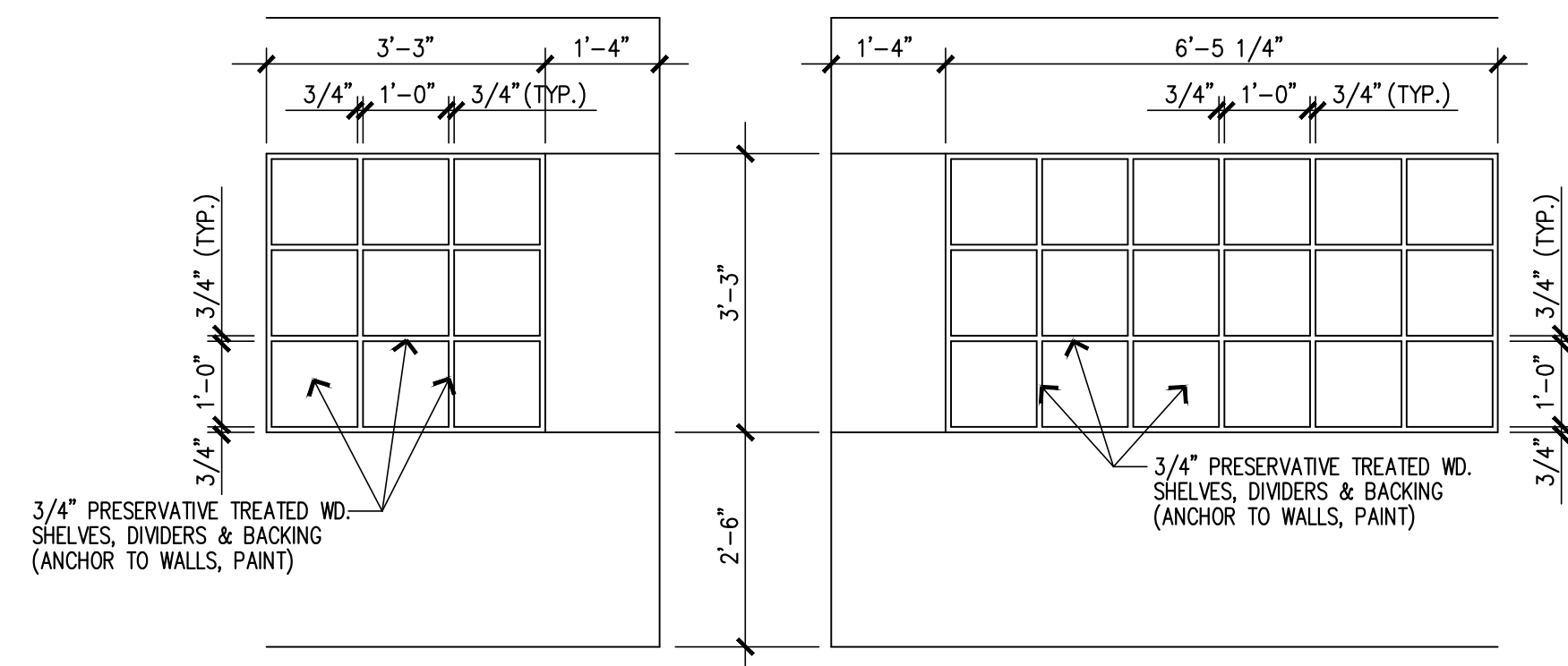
RICHLAND - BEAN BLOSSOM SCHOOL CORPORATION
ELLETTSVILLE, INDIANA

Drawing Title:
BASEBALL FIELD SITE PLAN, ENLARGED PARTIAL SITE PLAN & DETAILS

Project No: 2017025.40
Project Date: JULY, 2018
CAD File Data
File name:
plot date:
Drawing No: **AB101**

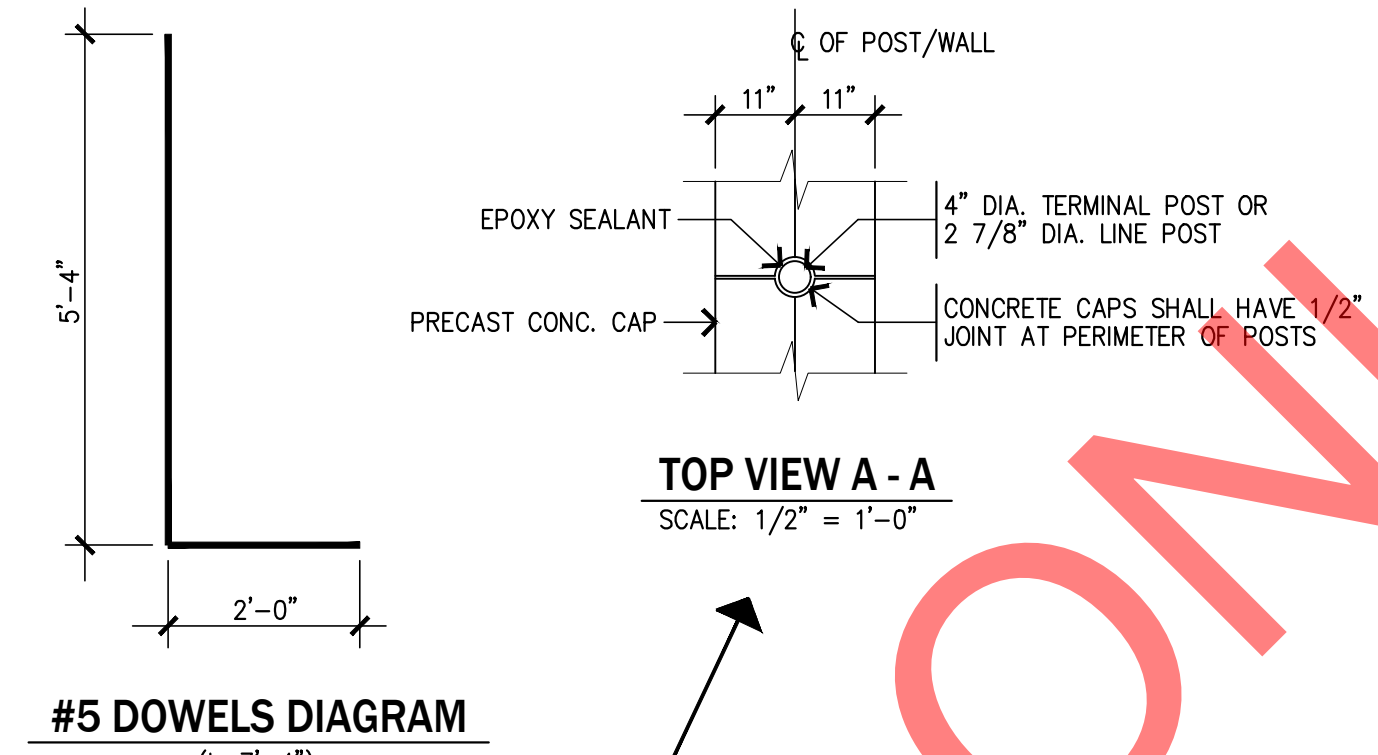


8 TOP OF RAILING/OVERHANG DETAIL
SCALE: 1/2" = 1'-0"

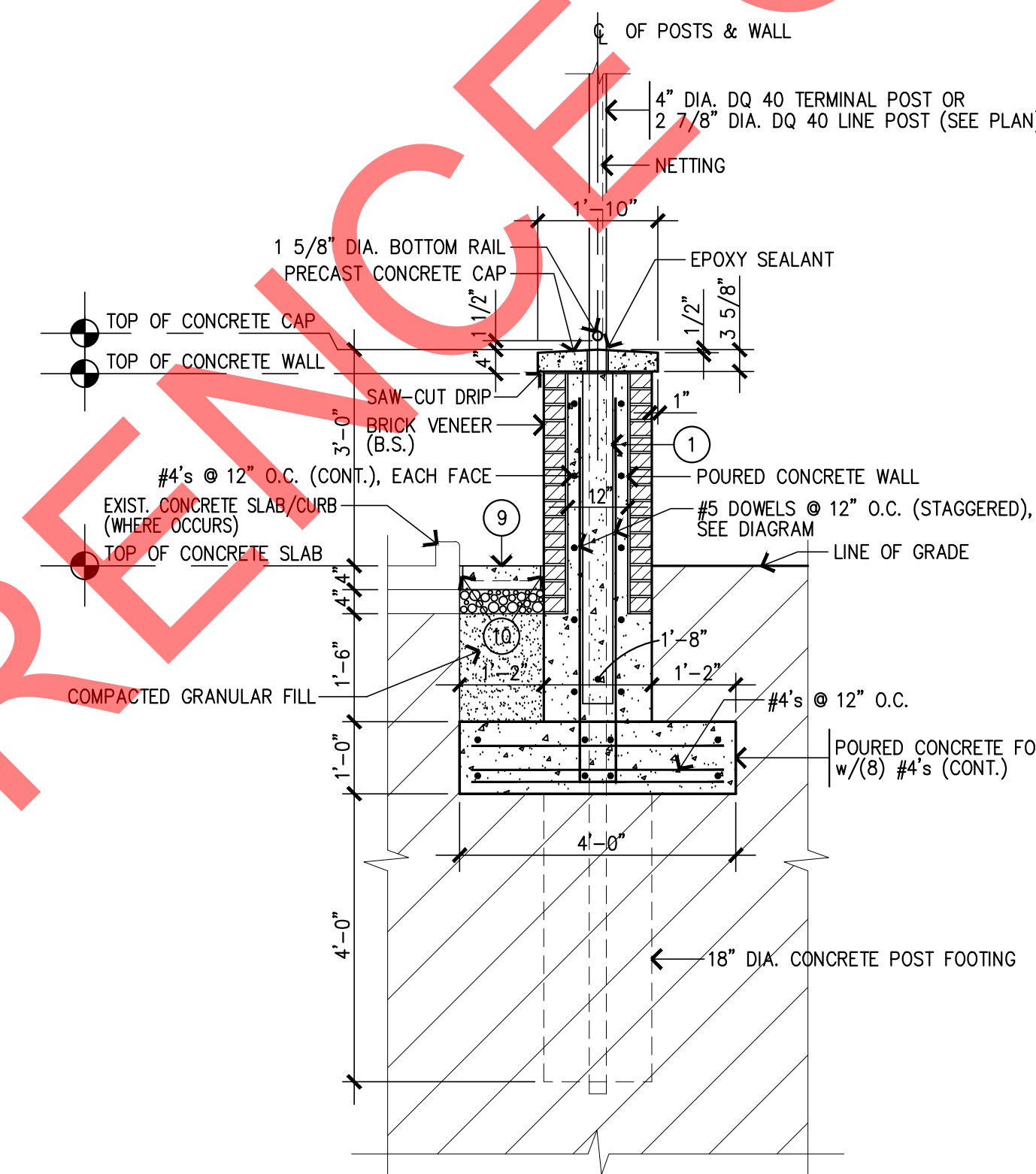


7 ELEVATION
SCALE: 1/2" = 1'-0"

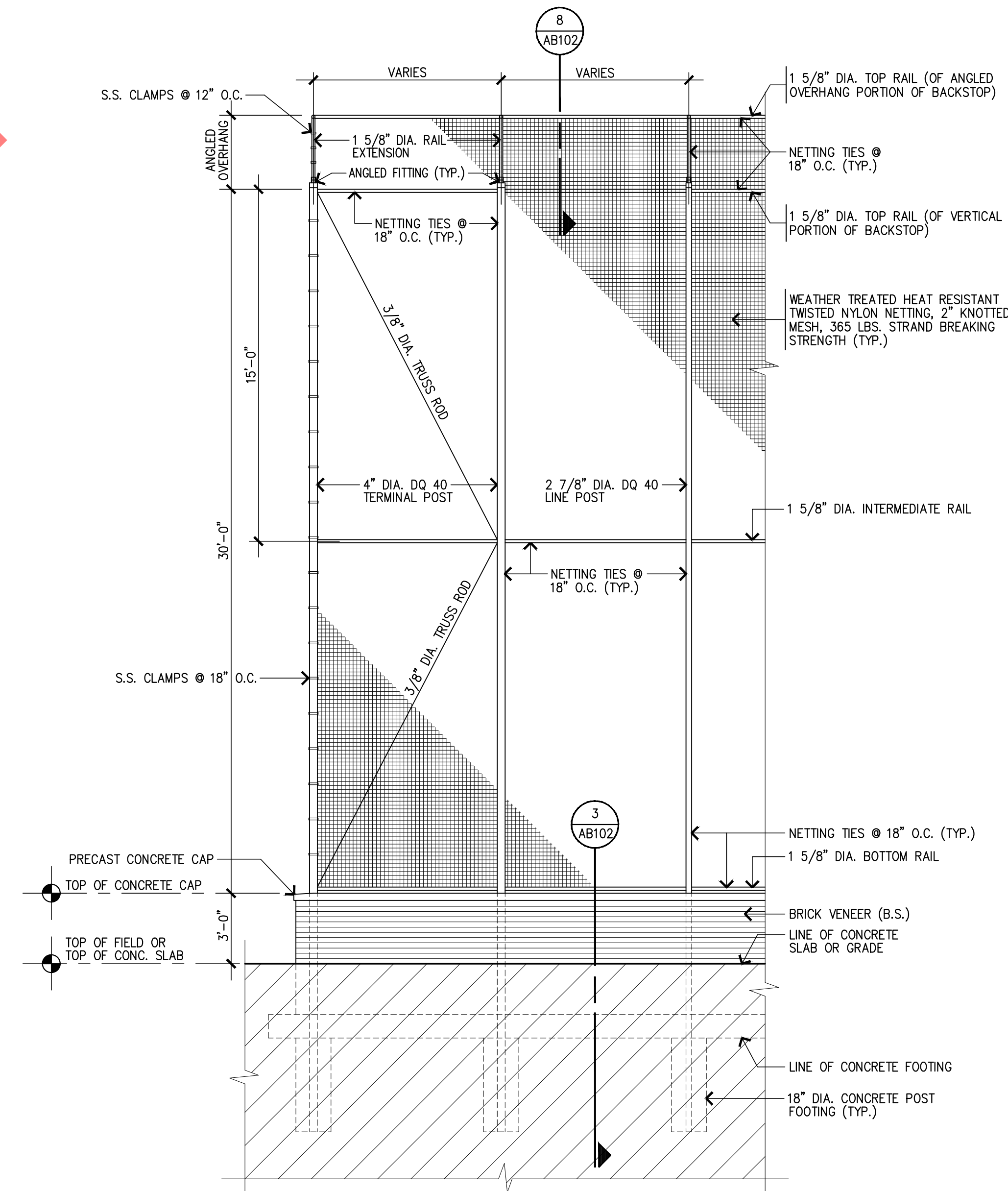
6 ELEVATION
SCALE: 1/2" = 1'-0"



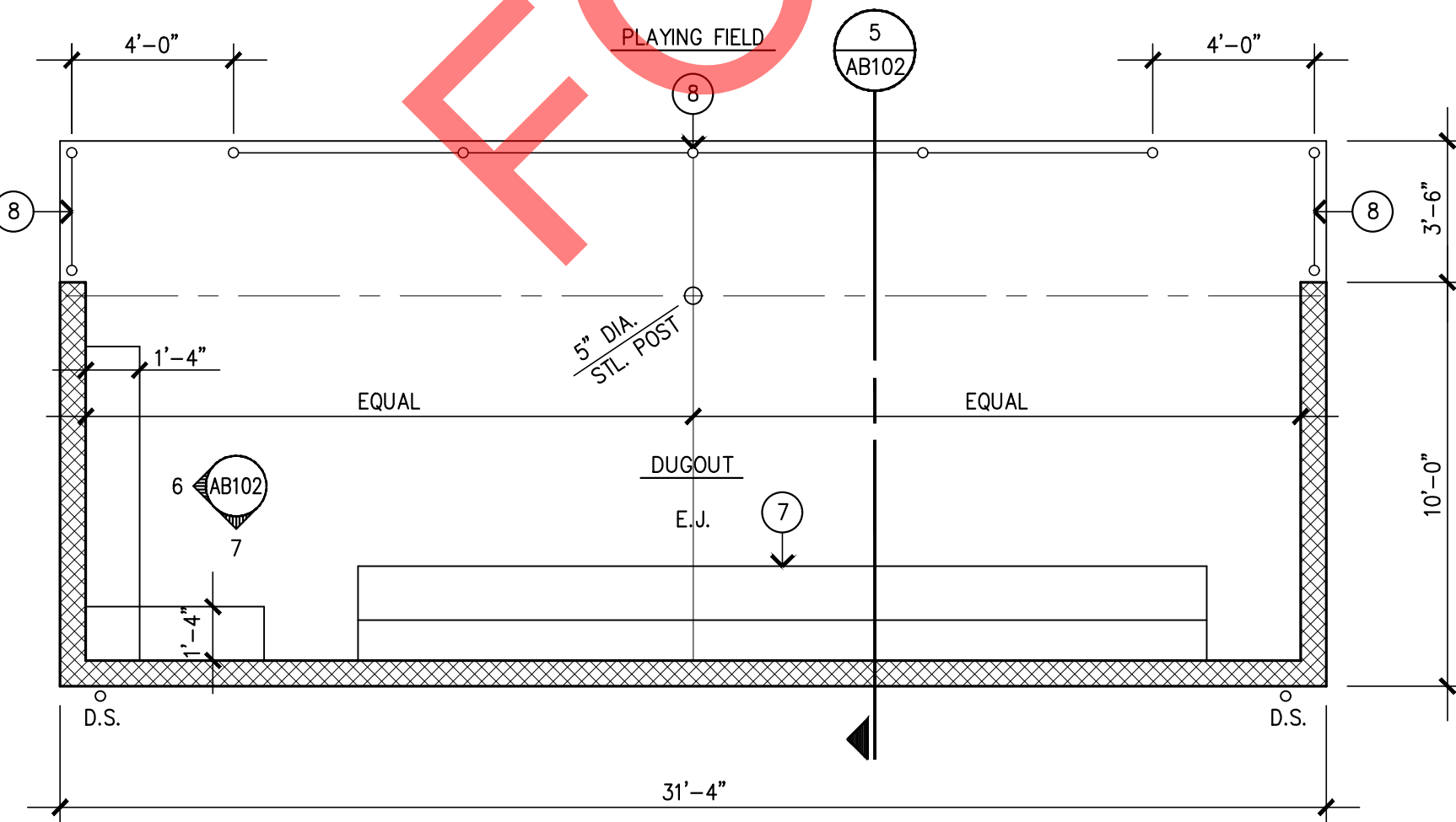
5 DUGOUT SECTION
SCALE: 1/2" = 1'-0"



3 BACKSTOP WALL DETAIL
SCALE: 1/2" = 1'-0"

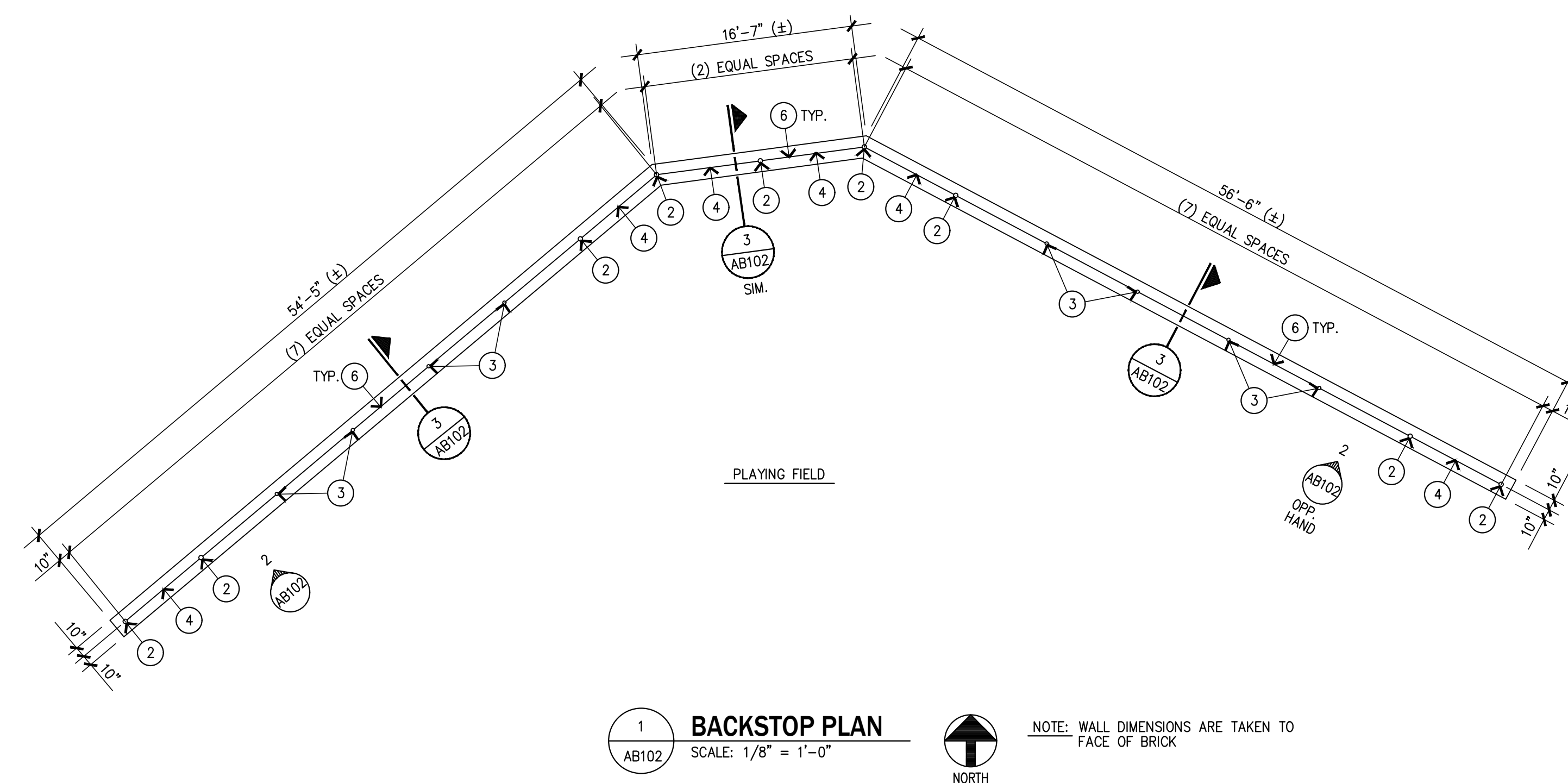


2 PARTIAL BACKSTOP ELEVATION
SCALE: 1/4" = 1'-0"



4A DUGOUT PLAN 'A' (AS SHOWN, SEE ENLARGED SITE PLAN FOR ORIENTATION)
SCALE: 1/4" = 1'-0"

4B DUGOUT PLAN 'B' (OPP. HAND, SEE ENLARGED SITE PLAN FOR ORIENTATION)
SCALE: 1/4" = 1'-0"



1 BACKSTOP PLAN
SCALE: 1/8" = 1'-0"

NOTE: WALL DIMENSIONS ARE TAKEN TO FACE OF BRICK
NORTH

GENERAL NOTES:

1. COORDINATE BACKSTOP WALL LAYOUT WITH SITE PLAN.
2. BACKSTOP WALL OVERALL DIMENSIONS ARE GIVEN FOR REFERENCE ONLY & SHALL BE VERIFIED & COORDINATED IN THE FIELD.
3. DUGOUT FLOORS TO BE SEALED CONCRETE.

REFERENCE NOTES:

1. PVC SLEEVE PLACED IN WALL TO ALLOW FOR MOVEMENT OF POST DUE TO WIND LOADING: 5" DIA. AT 4" POSTS; 4" DIA. AT 2 7/8" POSTS
2. INDICATES 4" DIA. DQ 40 TERMINAL POST
3. INDICATES 2 7/8" DIA. DQ 40 LINE POST
4. INDICATES 3/8" DIA. TRUSS ROD (SEE ELEVATION 2/AB102)
5. INDICATES S.S. CLAMPS @ 18" O.C. (SEE ELEVATION 2/AB102)
6. WEATHER TREATED HEAT RESISTANT TWISTED NYLON NETTING, 2" KNOTTED MESH, 365 LBS. STRAND BREAKING STRENGTH (TYP.)
7. PLAYER BENCH/SHELF AS MANUFACTURED BY: MID-AMERICA SPORTS ADVANTAGE 1413 SOUTH MERIDIAN RD., JASPER, IN 47546. IEM NO. 02561 (21'-0" LENGTH)
8. INDICATES 8'-0" HT. CHAINLINK FENCING TO MATCH FIELD FENCING.
9. INDICATES 4" THK. CONCRETE SLAB INFILL w/6x6-10/10 W.W.F. ON VAPOR BARRIER ON 4" GRAVEL FILL.
10. INDICATES EXPANSION JOINT w/ SELF-LEVELING SEALANT.

VPS ARCHITECTURE

528 Main Street - Suite 400 Evansville Indiana 47708
P (812) 423-7729 F (812) 425-4561
www.VPSARCH.com

DUGOUTS/BACKSTOP

EDGEWOOD HIGH SCHOOL

RICHLAND - BEAN BLOSSOM SCHOOL CORPORATION
ELLETTSVILLE, INDIANA

BACKSTOP PLAN, ELEVATION & DETAILS,
DUGOUT PLAN, SECTION & DETAILS,

Project No: 2017025.40
Project Date: JULY, 2018
CAD File Data
file name:
plot date:
Drawing No:

AB102